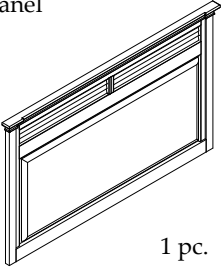
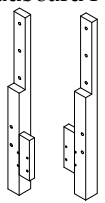
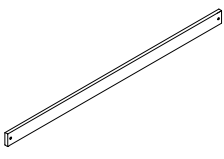
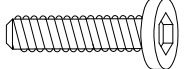


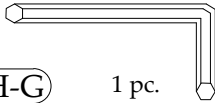
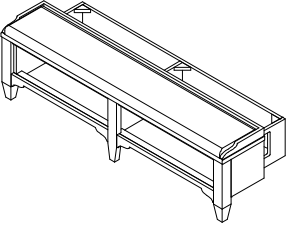
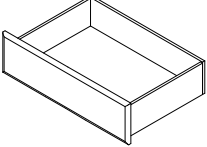
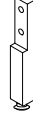
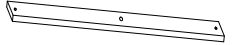
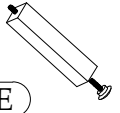
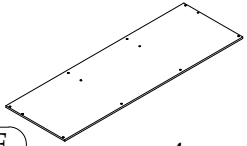
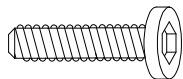



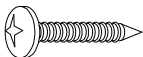


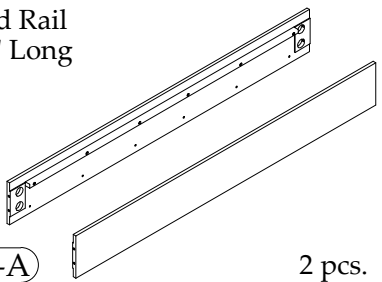

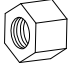




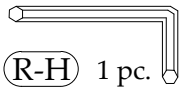
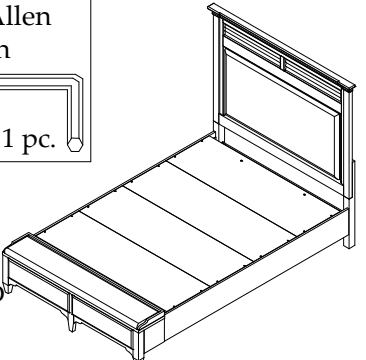
### Hardware and Parts packed with the Headboard

<p>Headboard Panel</p>  <p>(H-A) 1 pc.</p>	<p>Headboard Post</p>  <p>(H-B) One Left &amp; One Right</p>	<p>Headboard Stretcher</p>  <p>(H-C) 1 pc.</p>		
<p>M5/16" x 1-3/4" Long Allen Head Bolt</p>  <p>(H-D) 8 pcs.</p>	<p>M5/16" Spring Washer</p>  <p>(H-E) 8 pcs.</p>	<p>M5/16" x 19mm Flat Washer</p>  <p>(H-F) 8 pcs.</p>	<p>5mm Allen Wrench</p>  <p>(H-G) 1 pc.</p>	

### Hardware and Parts packed with the Footboard

<p>Storage Footboard Frame</p>  <p>(F-A) 1 pc.</p>	<p>Drawer</p>  <p>(F-B) 2 pcs.</p>	<p>Drawer Box Support Leg 9-1/4" long with leveler</p>  <p>(F-C) 2 pcs.</p>	<p>5/0 Wood Slat 61" long</p>  <p>(F-D) 4 pcs.</p>	
<p>Panel Support Leg 13-1/2" long with leveler</p>  <p>(F-E) 4 pcs.</p>	<p>5/0 Wood Panel with blocks 61" x 20-1/4"</p>  <p>(F-F) 4 pcs.</p>	<p>M5/16"-18 x 1-1/2" Long Allen Head Bolt</p>  <p>(F-G) 4 pcs.</p>	<p>M5/16" Spring Washer</p>  <p>(F-H) 4 pcs.</p>	<p>M5/16" x 19*2mm Flat Washer</p>  <p>(F-I) 4 pcs.</p>
<p>5mm Allen Wrench</p>  <p>(F-J) 1 pc.</p>	<p>#8 x 1" Wood Screw</p>  <p>(F-K) 28 pcs.</p>			

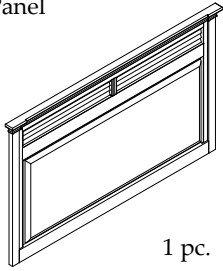
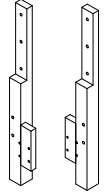
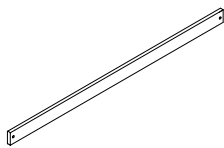
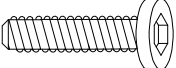


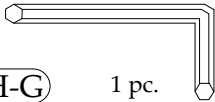
### Hardware and Parts packed with the Bed Rails

<p>Bed Rail 81" Long</p>  <p>(R-A) 2 pcs.</p>	<p>M5/16"-18 x 3-1/2" Long All-Thread Bolt</p>  <p>(R-B) 8 pcs.</p>	<p>5/16-18 x L17 Hex Nut</p>  <p>(R-C) 8 pcs.</p>	<p>M5/16" Spring Washer</p>  <p>(R-D) 8 pcs.</p>	<p>M5/16" x 16*2mm Flat Washer</p>  <p>(R-E) 8 pcs.</p>
	<p>Ø50mm Arc-Washer</p>  <p>(R-F) 8 pcs.</p>	<p>12mm Open Wrench</p>  <p>(R-G) 1 pc.</p>	<p>4mm Allen Wrench</p>  <p>(R-H) 1 pc.</p>	

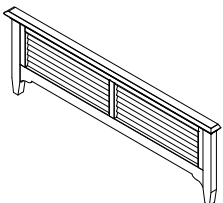
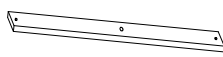

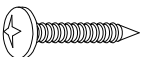
### 5/0 Queen Storage Bed

59374-59474 4/6-5/0 UPH HEADBOARD  
 59375-59475 5/0 UPH BENCH STORAGE FOOTBOARD  
 59373-59473 5/0-6/6 BED RAILS

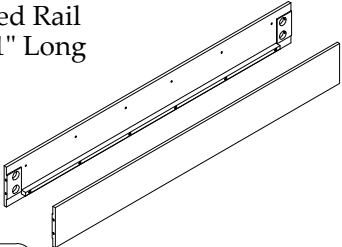
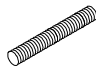
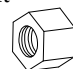



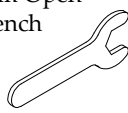
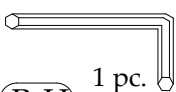
*Hardware and Parts packed with the Headboard*

<p>Headboard Panel</p>  <p>(H-A) 1 pc.</p>	<p>Headboard Post</p>  <p>(H-B) One Left &amp; One Right</p>	<p>Headboard Stretcher</p>  <p>(H-C) 1 pc.</p>		
<p>M5/16" -18x 1-3/4" Long Allen Head Bolt</p>  <p>(H-D) 8 pcs.</p>	<p>M5/16" Spring Washer</p>  <p>(H-E) 8 pcs.</p>	<p>M5/16" x 19*2mm Flat Washer</p>  <p>(H-F) 8 pcs.</p>	<p>5mm Allen Wrench</p>  <p>(H-G) 1 pc.</p>	

*Hardware and Parts packed with the Footboard*

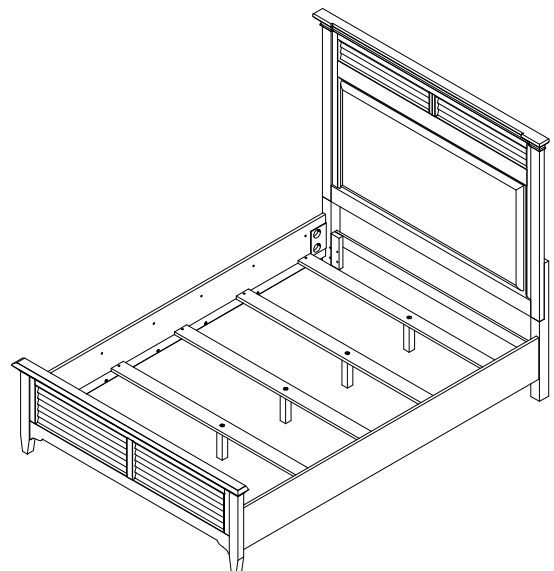
<p>Footboard Frame</p>  <p>(F-A) 1 pc.</p>	<p>5/0 Wood Slat 61" long</p>  <p>(F-B) 4 pcs.</p>	<p>Slat Support Leg 7-1/2" long with leveler</p>  <p>(F-C) 4 pcs.</p>	<p>#8 x 1" Wood Screw</p>  <p>(F-D) 8 pcs.</p>
--	---	---	---

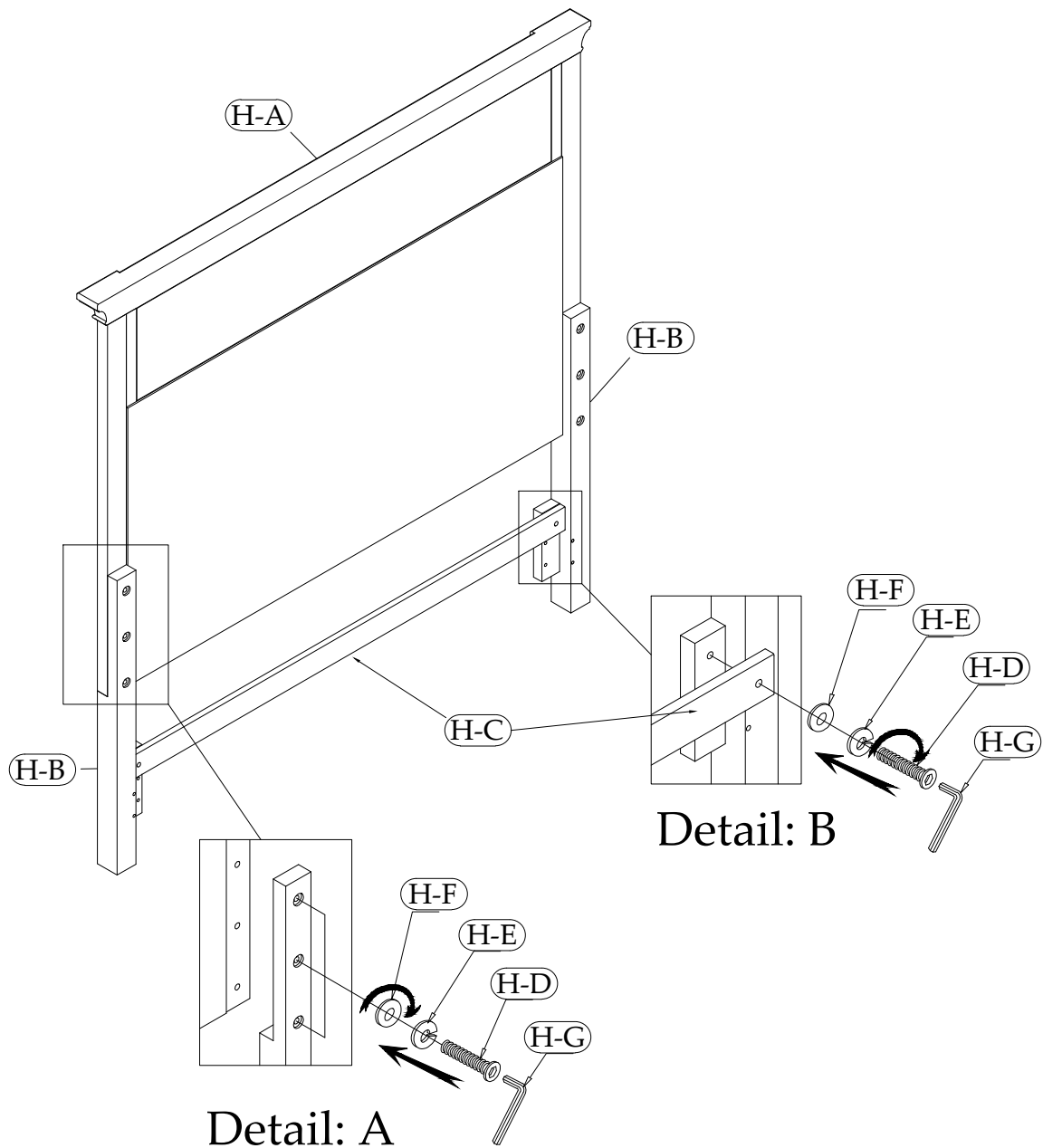
*Hardware and Parts packed with the Bed Rails*

<p>Bed Rail 81" Long</p>  <p>(R-A) 2 pcs.</p>	<p>M5/16" -18x 3-1/2" Long All-Thread Bolt</p>  <p>(R-B) 8 pcs.</p>	<p>5/16-18 x L17 Hex Nut</p>  <p>(R-C) 8 pcs.</p>	<p>M5/16" Spring Washer</p>  <p>(R-D) 8 pcs.</p>	<p>M5/16" x 16*2mm Flat Washer</p>  <p>(R-E) 8 pcs.</p>
	<p>Ø50mm Arc-Washer</p>  <p>(R-F) 8 pcs.</p>	<p>12mm Open Wrench</p>  <p>(R-G) 1 pc.</p>	<p>4mm Allen Wrench</p>  <p>(R-H) 1 pc.</p>	

5/0 Queen Bed

59374-59474 4/6-5/0 UPH HEADBOARD  
 59371-59471 5/0 LOUVER FOOTBOARD  
 59373-59473 5/0-6/6 BED RAILS

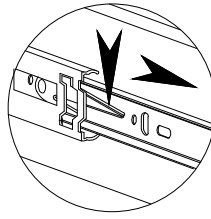




## ASSEMBLY STEPS :

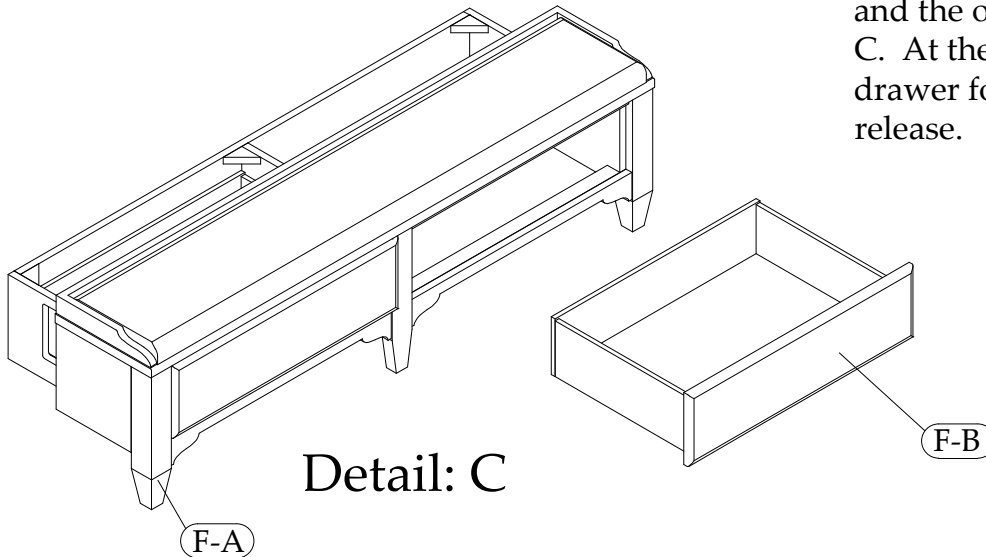
1. Place the Headboard Panel (H-A) face down on a clean and soft surface.
2. Attach the Left and Right Headboard Posts (H-B) to the back of the Headboard Panel, using the Flat Washers (H-F), Spring Washers (H-E) and Bolts (H-D). Do not fully tighten until after next step. (see Detail A).
3. Attach the Back Stretcher (H-C) to the Headboard Posts by using the same Washers and Bolts as previous step. (See Detail B). Fully Tighten all the bolts with the Allen Wrench (H-G).

Gently lean the back of the assembled Headboard against the wall where the Bed will be located in the room.

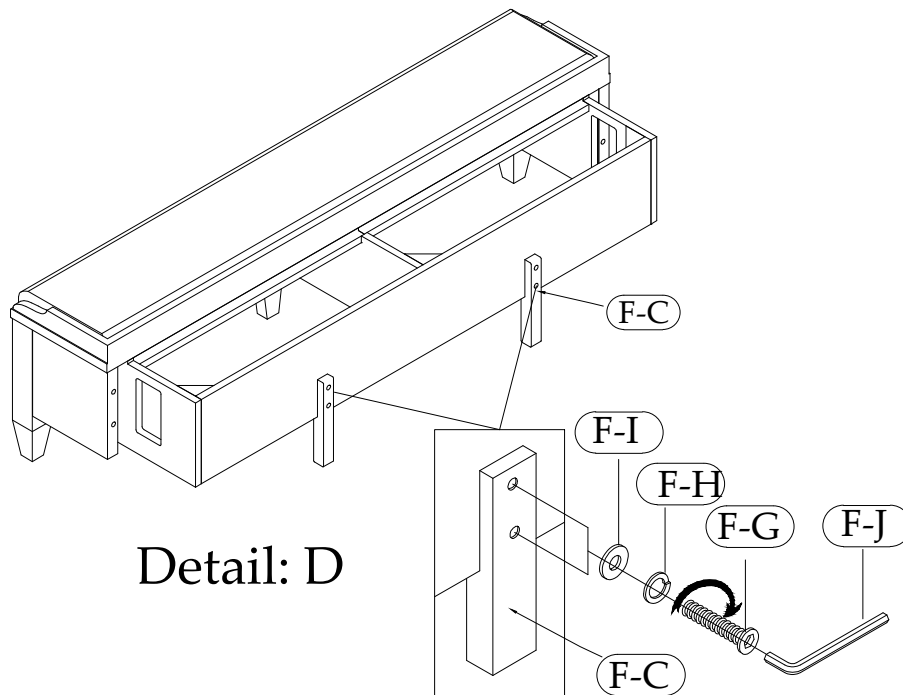


To remove the drawer:

- A. Pull the drawer fully open so the black latch is visible in the inside channel of the guides.
- B. Release the latches by simultaneously pushing one lever up and the other down.
- C. At the same time, pulling the drawer forward until the slides release.



Detail: C



Detail: D

### ASSEMBLY STEPS :

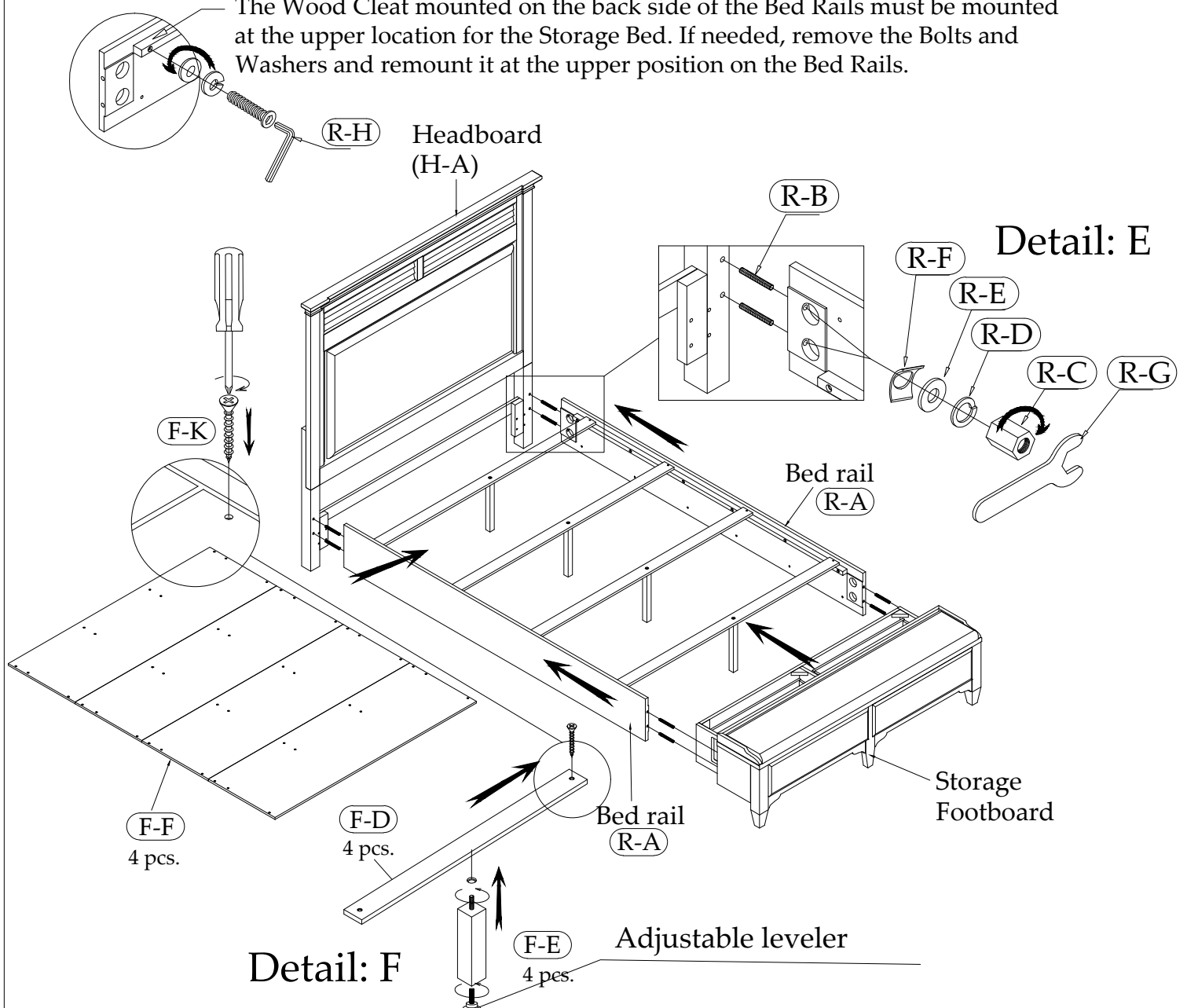
1. Remove both drawers from the Storage Footboard. Refer to the steps above.
2. Place the Storage Footboard (F-A) face down on a clean and soft surface.
3. Attach the Support Legs (F-C) to the storage footboard by using the Flat Washers (F-I), Spring Washers (F-H) and Bolts (F-G). Tighten with the Allen Wrench (F-J).

## ASSEMBLY STEPS :

To prevent possible damage to furniture and personal injury, it is recommended that two people are used to perform the following steps.

4. Install All-Thread Bolts (R-B) into the Headboard (H-A) and the Storage Footboard (F-A) before Carefully position one end of one Bed Rail (R-A) onto the All-thread Bolts on the Headboard and connect using the Arc Washers (R-F), Flat Washers (R-E), Spring Washers (R-D), and Hex Nut (R-C). Do not fully tighten the Nuts until the Footboard has been connected. As shown in **(Detail E)**
5. Carefully align the Storage Footboard and headboard to be 'square' with the Side Rails. Fully tighten all the hex nut (R-C) by using the open wrench (R-G). As shown in **(Detail E)**.
6. Attach the eight Slat Support Legs (F-E) to the bottom side of four Wood Slats (F-D). (See Detail F).
7. Using one of the Support Panels (F-F) as a gauge, locate and position the four Slats so there is a Slat underneath, centered at the edge of each Support Panel. Attach using the Wood Screws (F-K).
8. Reinstall the Drawers into the Footboard by aligning the metal channels of the guides and push back into the Footboard.

The Wood Cleat mounted on the back side of the Bed Rails must be mounted at the upper location for the Storage Bed. If needed, remove the Bolts and Washers and remount it at the upper position on the Bed Rails.

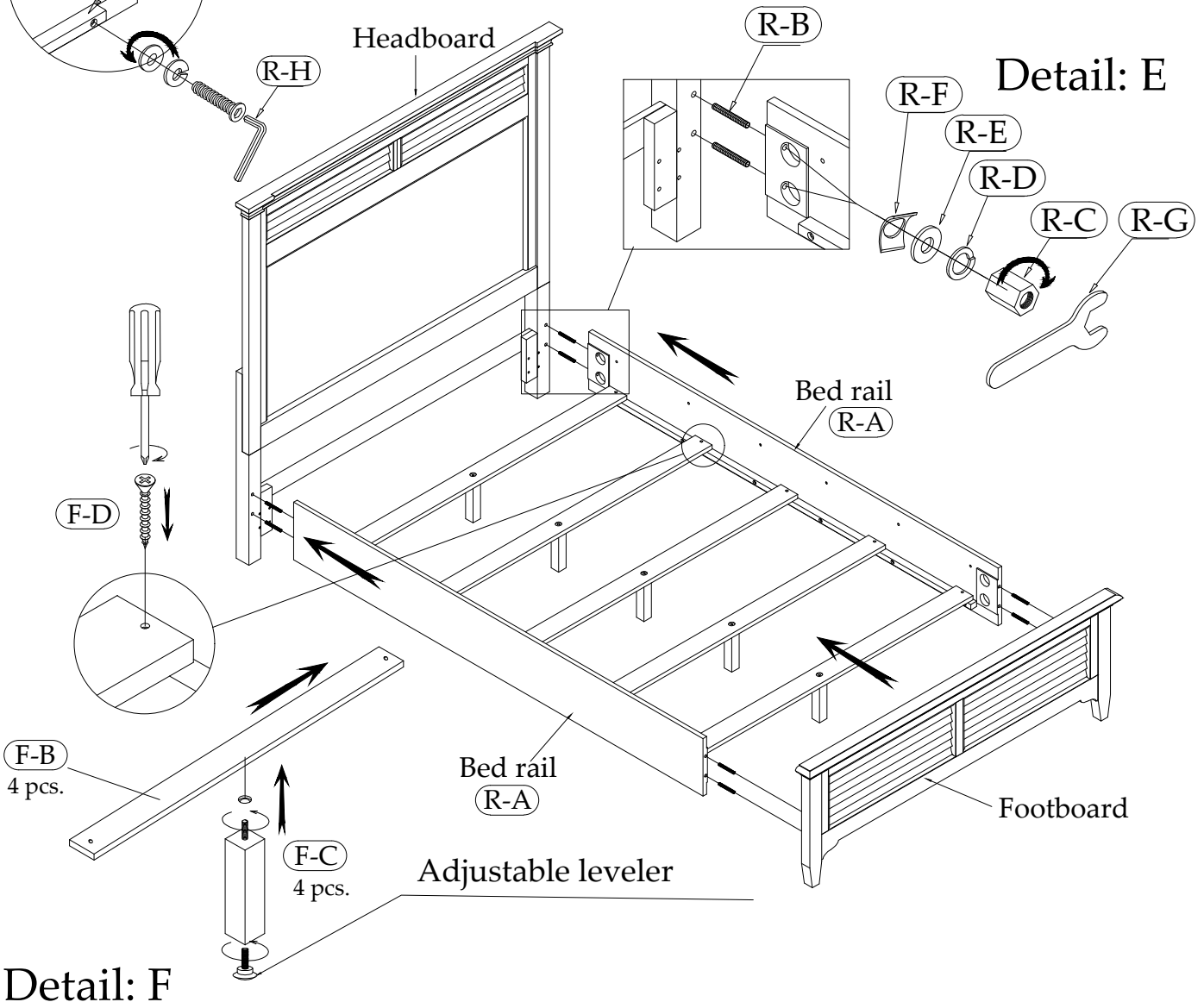


**ASSEMBLY STEPS :**

To prevent possible damage to furniture and personal injury, it is recommended that two people are used to perform the following steps.

4. Install All-Thread Bolts (R-B) into the Headboard (H-A) and the Footboard (F-A) before Carefully position one end of one Bed Rail (R-A) onto the All-thread Bolts on the Headboard and connect using the Arc Washers (R-F), Flat Washers (R-E), Spring Washers (R-D), and Hex Nut (R-C). Do not fully tighten the Nuts until the Footboard has been connected. As shown in **(Detail E)**
5. Carefully align the Footboard and headboard to be 'square' with the Side Rails. Fully tighten all the hex nut (R-C) by using the open wrench (R-G). As shown in **(Detail E)**.
6. Attach the four Slat Support Legs (F-C) to the bottom side of four Wood Slats (F-B). (See Detail F).
7. Position and attach the Slats to the Bed Rails using the Wood Screws (F-D).

The Wood Cleat mounted on the back side of the Bed Rails must be mounted at the lower location for the Standard Bed. If needed, remove the Bolts and Washers and remount it at the lower position on the Bed Rails.



*5/0 Queen Storage Bed*  
*59374-59474 -- 4/6-5/0 Uph Headboard*  
*59375-59475 -- 5/0 Uph Bench Storage Footboard*  
*59373-59473 -- 5/0-6/6 Bed Rails*

*5/0 Queen Bed*  
*59374-59474 -- 4/6-5/0 Uph Headboard*  
*59373-59473 -- 5/0-6/6 Bed Rails*  
*59371-59471 -- 5/0 Louver Footboard with Slats*

*The Headboard may be used alone  
with a Queen or Full Size  
Metal Bed Frame*

