
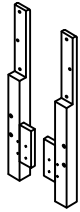
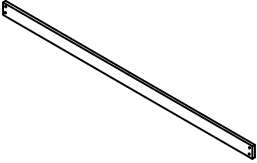
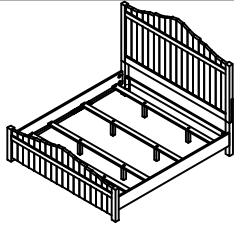





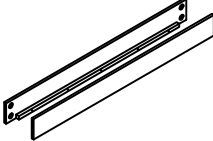





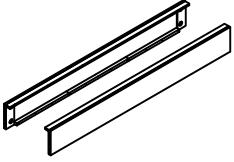


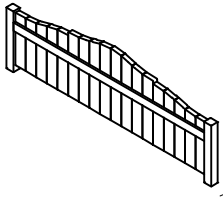
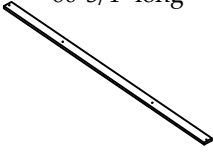
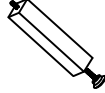

Hardware and Parts packed with the Headboard

<p><b>Headboard Panel</b></p>  <p>(H-A) 1 pc.</p>	<p><b>Headboard Post</b></p>  <p>(H-B) One Left &amp; One Right</p>	<p><b>Headboard Stretcher</b></p>  <p>(H-C) 1 pc.</p>	 <p>76080 / 76180 -- 6/0-6/6 Panel Headboard 76081 / 76181 -- 6/0-6/6 Panel Footboard w/Slats 76072 / 76172 -- 5/0-6/6 Bed Rails 76082 / 76182 -- 6/0 Bed Rails</p>	
<p>Ø5/16"-18 x 1-1/2" Allen Head Bolt</p>  <p>(H-D) 6 pcs.</p>	<p>Ø5/16"-18 x 1-1/4" Allen Head Bolt</p>  <p>(H-E) 4 pcs.</p>	<p>Ø5/16" x Ø14mm Spring Washer</p>  <p>(H-F) 10 pcs.</p>	<p>Ø5/16" x Ø18mm Flat Washer</p>  <p>(H-G) 10 pcs.</p>	<p>Ø5mm Allen Wrench</p>  <p>(H-I) 1 pc.</p>

Hardware and Parts packed with the Bed Rails

<p><b>5/0-6/6 Bed Rails</b></p>  <p>(R-A) 2 pcs.</p>	<p>Ø5/16"x34x14x2mm Lock Washer Black</p>  <p>(R-B) 8 pcs.</p>	<p>Ø5/16"x14mm Spring washer</p>  <p>(R-C) 8 pcs.</p>	<p>Ø5/16" Hexagonal Nut</p>  <p>(R-D) 8 pcs.</p>	<p>12 mm Open Wrench</p>  <p>(R-E) 1 pc.</p>	<p>Ø5/16"-18 x 82mm Long All-thread Bolt</p>  <p>(R-F) 8 pcs.</p>
<p><b>California King -- 6/0 Bed Rails</b></p>  <p>(R-A) 2 pcs.</p>					

Hardware and Parts packed with the Footboard

<p><b>Footboard Panel</b></p>  <p>(F-A) 1 pc.</p>	<p>5/0 Wood Slat 60-3/4" long</p>  <p>(F-B) 4 pcs.</p>	<p><b>Slat Support Leg 7-1/4" long with leveler</b></p>  <p>(F-C) 8 pcs.</p>	<p>Ø8 x 1-1/2"mm Wood Screw</p>  <p>(F-D) 8 pcs.</p>	
--	---	---	---	--

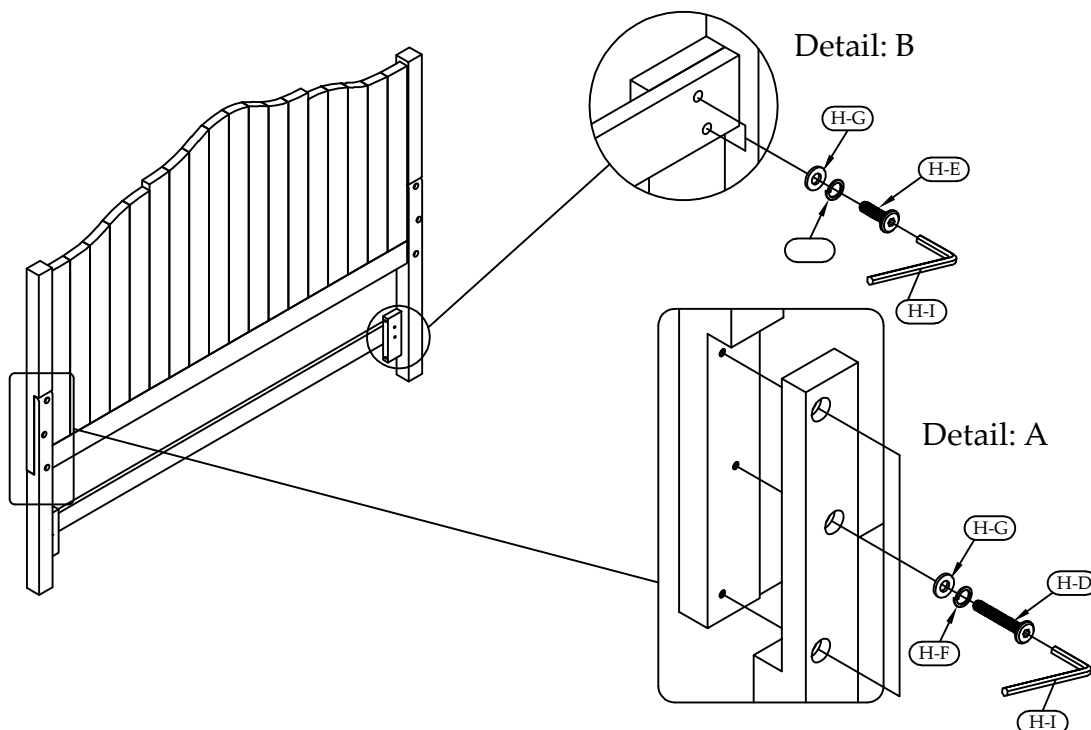


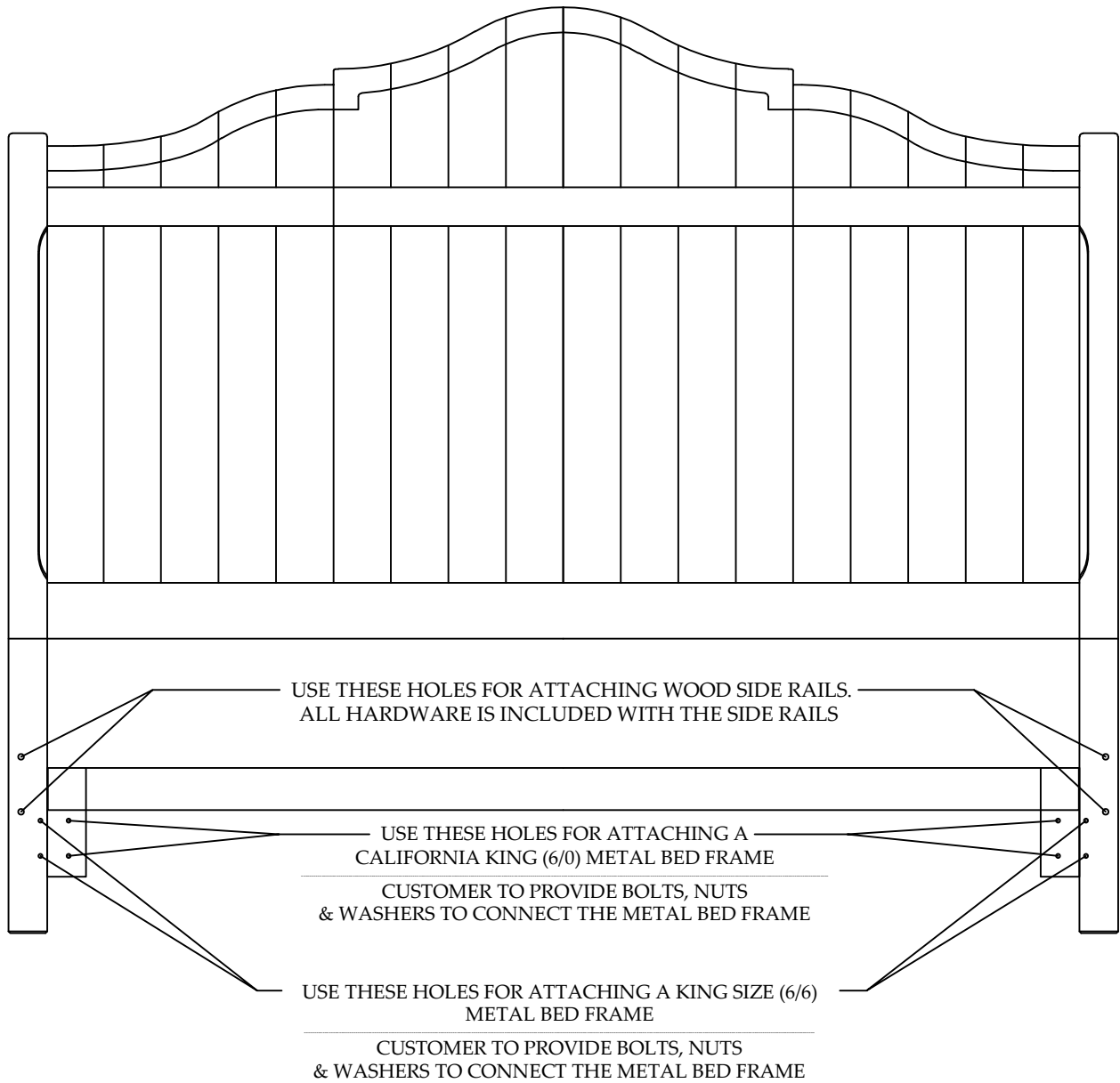
76080 / 76180 -- 6/0-6/6 Panel Headboard

### ASSEMBLY STEPS :

To prevent possible damage to furniture and personal injury, it is recommended that two people are used to perform the following steps.

1. Place the Headboard Panel (H-A) face down on a clean and soft surface.
2. Attach the Left and Right Headboard Posts (H-B) to the back of the Headboard Panel, using the Flat Washers (H-G), Spring Washers (H-F) and the  $\text{Ø}5/16"$  x 1-1/2" Bolts (H-D). Do not fully tighten until after next step. (see Detail A).
3. Attach the Headboard Stretcher (H-C) to the Headboard Posts using the same Washers and the  $\text{Ø}5/16"$  x 1-1/4" Bolts (H-E).
4. Tighten all Bolts using the Allen Wrench (H-I). (see Detail A and B).
5. Gently lean the back of the assembled Headboard against the wall where the Bed will be located in the room.





### 6/6 King Standard Bed

76080 / 76180 -- 6/0-6/6 Panel Headboard

76081 / 76181-- 6/0-6/6 Panel Footboard w/Slats

76072 / 76172-- 5/0-6/6 Bed Rails

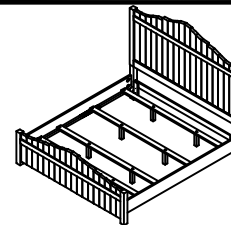
OR

### 6/0 California King Bed

76080 / 76180 -- 6/0-6/6 Panel Headboard

76081 / 76181 -- 6/0-6/6 Panel Footboard w/Slat

76082 / 76182 -- 6/0 California King Bed Rails



76080 / 76180 -- 6/0-6/6 Panel Headboard

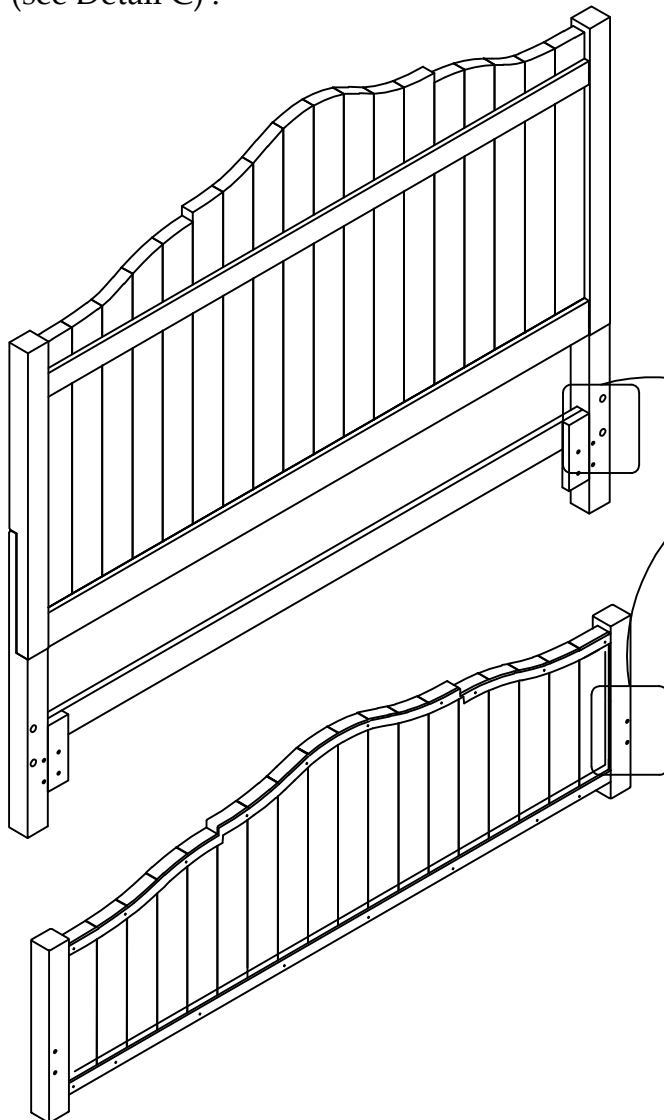
76081 / 76181 -- 6/0-6/6 Panel Footboard w/Slats

76072 / 76172 -- 5/0-6/6 Bed Rails

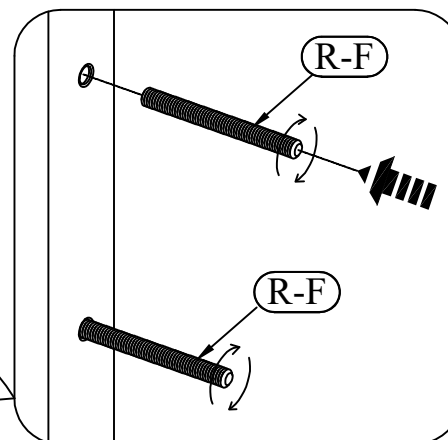
76082 / 76182 -- 6/0 Bed Rails

### ASSEMBLY STEPS :

1. Install the Ø5/16" x 82mm Long All-Thread Bolts (R-F) to the threaded inserts of the Headboard and Footboard (see Detail C) .



### Detail: C



**ASSEMBLY STEPS :**

2. Carefully position one end of one Bed Rail (R-A) onto the All-thread Bolts installed on the Headboard and connect using the Half moon washers (R-B), Spring washer (R-C) & Hex Nuts (R-D). Only partially tighten the Nuts until the Footboard has been connected. Repeat for other Bed Rail.
  3. Position and connect the Footboard (F-A) to the other end of the Bed Rails, attaching as in the previous Steps.
  4. Carefully align the Footboard to be 'square' with the Headboard. Using the Open Wrench (R-E) tighten all Hex Nuts attaching the Bed Rails to the Headboard and Footboard. (See Detail D).
  5. Attach the four Support Legs (F-C) to the bottom side of four Wood Slats (F-B). (See Detail E).
  6. Position and attach the Slats to the Bed Rails using the Wood Screws (F-D) and your Phillips Screwdriver. (See Detail F).
- The levelers located at the bottom of the Support Legs can be adjusted if necessary to help support the Slats.

