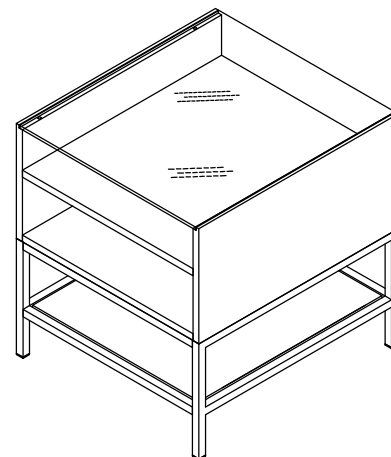


Warning :

- Be sure to check all packing material carefully for small parts, which may have come loose inside the carton during shipment.
- To prevent possible scratches and damage, this furniture **MUST BE ASSEMBLED BY TWO PEOPLE** on a soft surface such as a blanket or carpet.



#92809

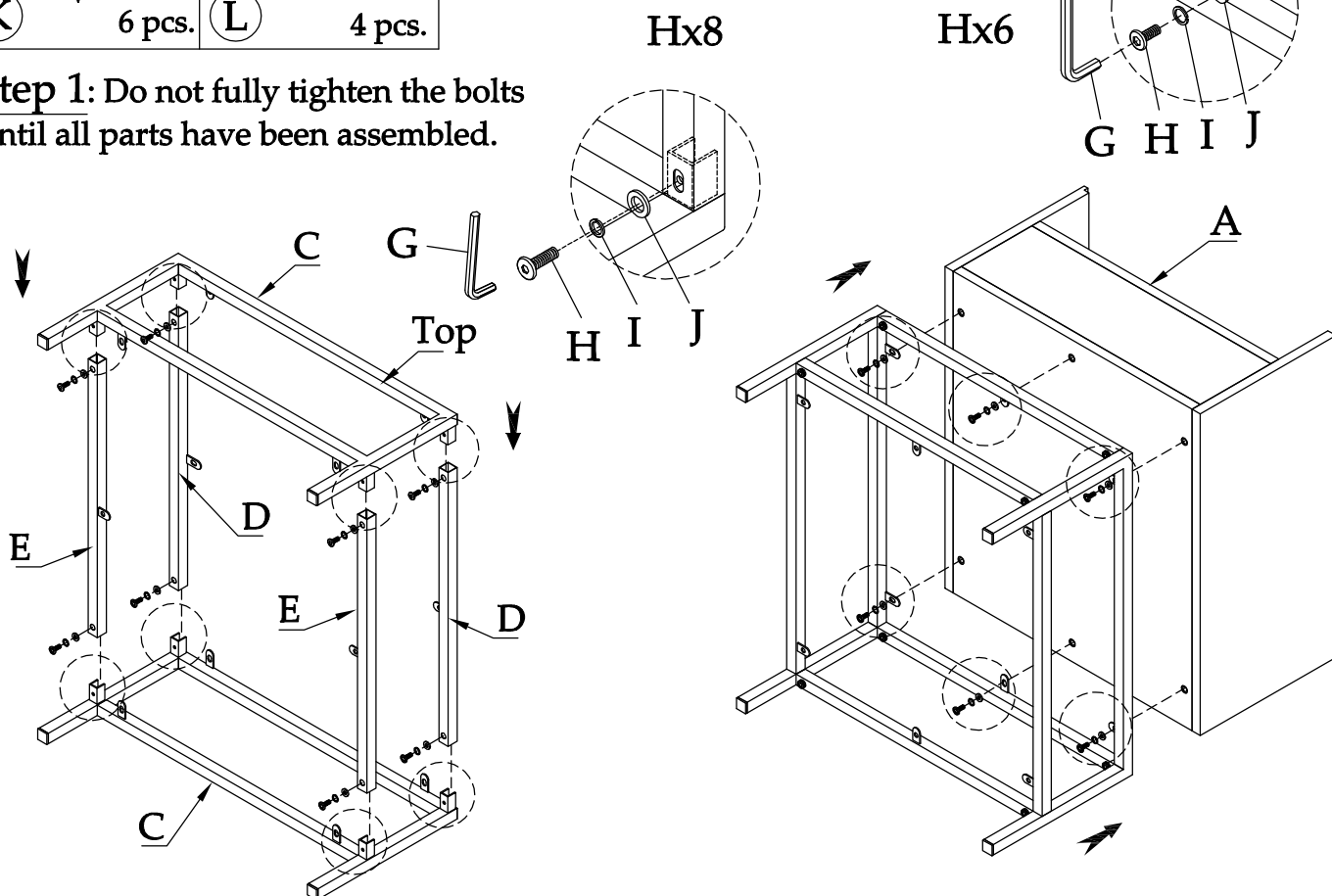
Rectangle End Table

Components and Hardware List

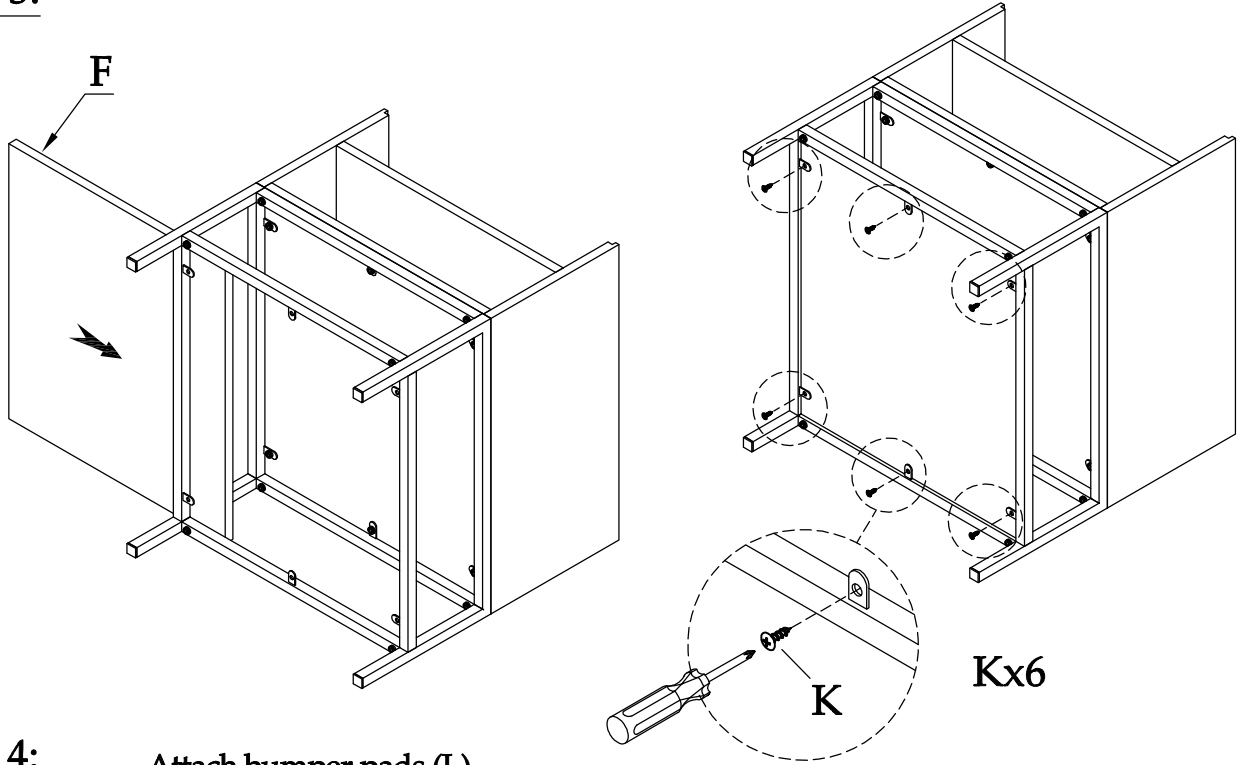
<p>Table Top</p> <p>(A) 1 pc.</p>	<p>Glass Top</p> <p>(B) 1 pc.</p>	<p>Side Frame</p> <p>(C) 2 pcs.</p>	<p>Upper stretcher</p> <p>(D) 2 pcs.</p>	<p>Lower stretcher</p> <p>(E) 2 pcs.</p>	<p>Shelf</p> <p>(F) 1 pc.</p>	<p>M4 Allen Key</p> <p>(G) 1 pc.</p>	<p>1/4 - 20 x 16mm Allen Head Bolt</p> <p>(H) 14 pcs.</p>	<p>1/4 - Ø12x1mm Spring Washer</p> <p>(I) 14 pcs.</p>	<p>1/4 - Ø16x2mm Flat Washer</p> <p>(J) 14 pcs.</p>
<p>#4 x 12mm Screws</p> <p>(K) 6 pcs.</p>	<p>Ø10x2mm Silicone Bumper Pads</p> <p>(L) 4 pcs.</p>								

Step 1: Do not fully tighten the bolts until all parts have been assembled.

Step 2:



Step 3:



Step 4:

Attach bumper pads (L)
approximately 2" from each
edge of table

