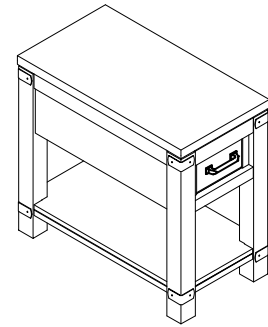
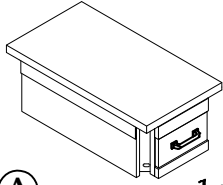


Components and Hardware List



84512 CHAIRSIDE TABLE

Table Top



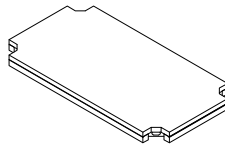
(A) 1 pc

Legs



(B) 4 pcs

Bottom Shelf



(C) 1 pc

Ø5/16" x 2" Allen Head Bolt



(D) 12 pcs.

Ø5/16" Spring Washer



(E) 12 pcs.

Ø5/16" x 19mm Flat Washer



(F) 12 pcs.

4mm Allen Key



(G) 1 pc.

4mm x 3" Allen Key

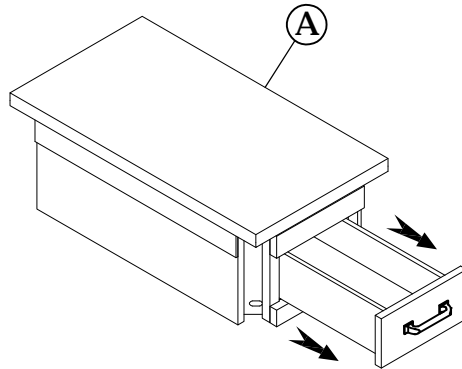


(H) 1 pc.

Be sure to check all packing material carefully for small parts, which may have come loose inside the carton during shipment.

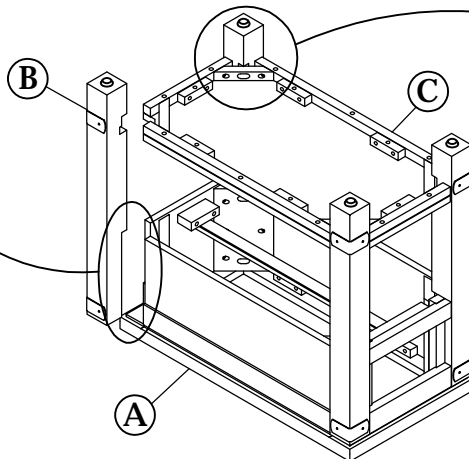
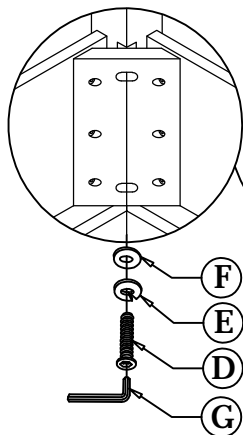
Note: If the Straight Allen Key (H) is used in a power driver, use care to prevent Bolts from being over tightened and possibly damaging parts.

Step 1

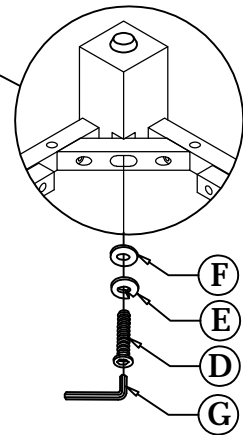


Remove Drawer

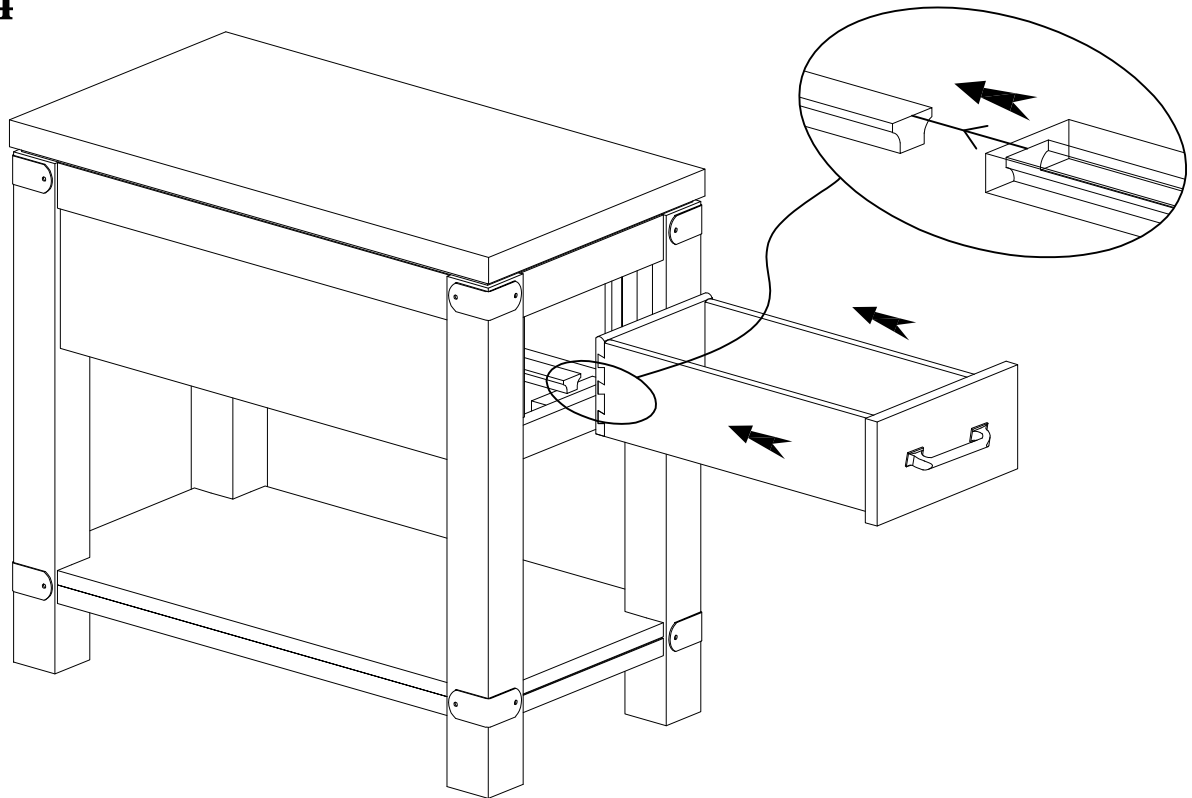
Step 2



Step 3



Step 4



Completed

