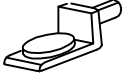
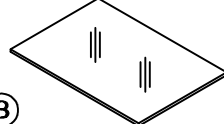
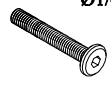



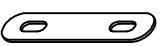

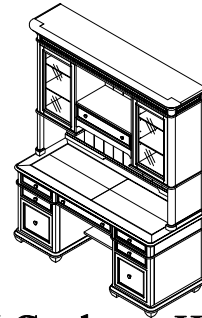


Components and Hardware List

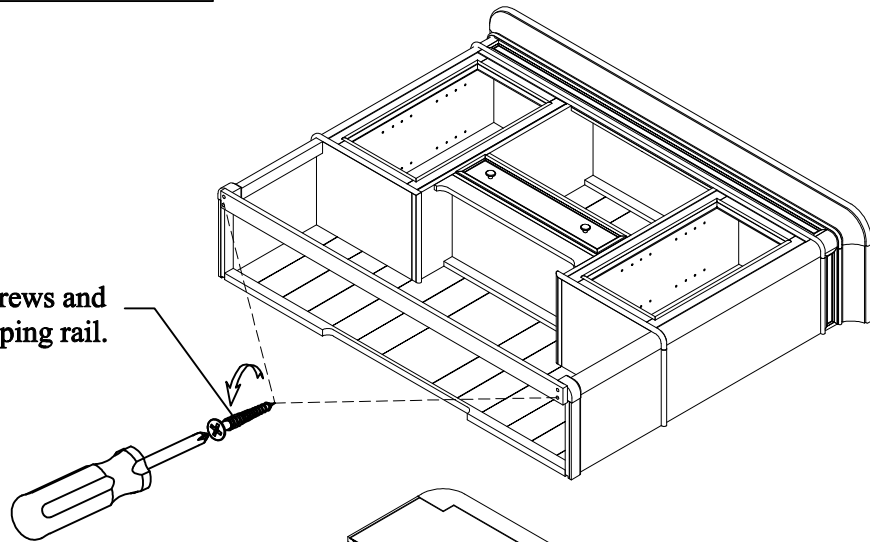
<p>(A) Shelf Pin Ø6.35xL11mm 16 pcs.</p> 	<p>(B) Glass 4 pcs.</p> 	<p>(C) Allen Head Bolt Ø1/4" - 20 x 3/4" 4 pcs.</p> 
<p>(D) Spring Washer Ø1/4" x 11mm 4 pcs.</p> 	<p>(E) Flat Washer Ø1/4" x 16mm 4 pcs.</p> 	<p>(F) Allen Key Ø4mm 1 pc.</p> 
<p>(G) Mending Bracket 2 pcs.</p> 	<p>(H) Furniture Tipping Restraint Kit 2 pcs.</p> 	<p>Be sure to check all packing material carefully for small parts, which may have come loose inside the carton during shipment.</p>



77936 Credenza Hutch
77933 Credenza

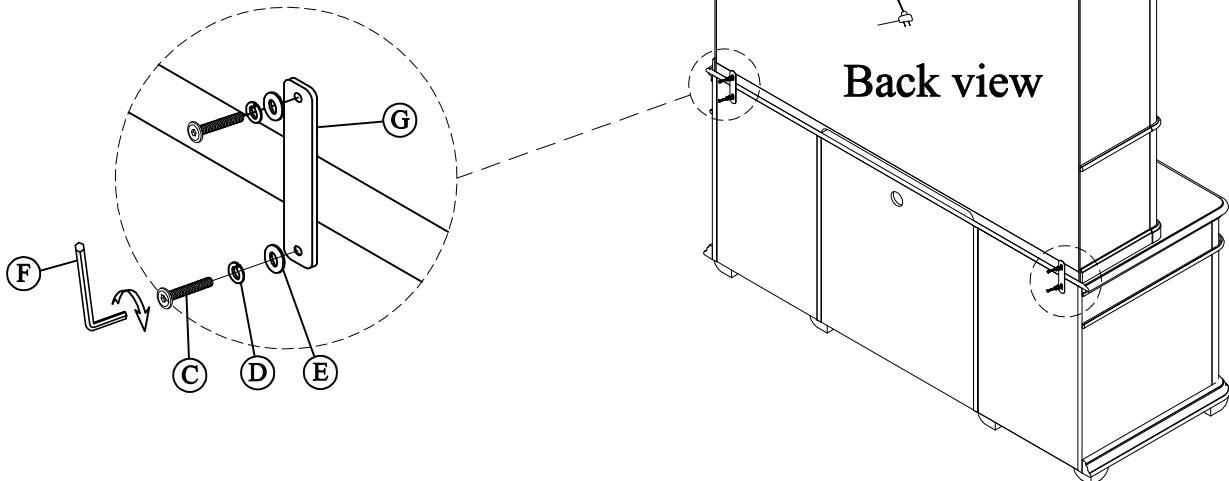
Step 1

Remove the screws and discard the shipping rail.



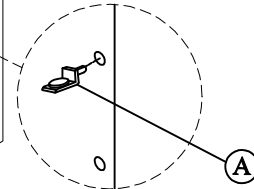
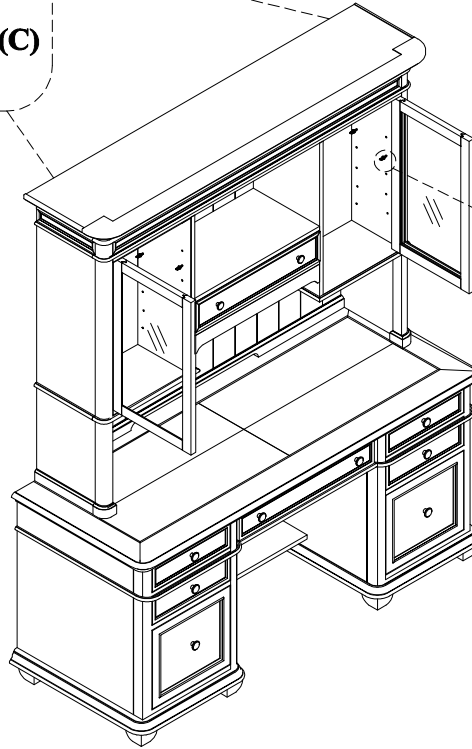
Step 2

Attach the Hutch to the Credenza using the mounting plates and bolts at the back.

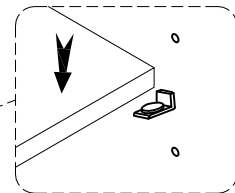
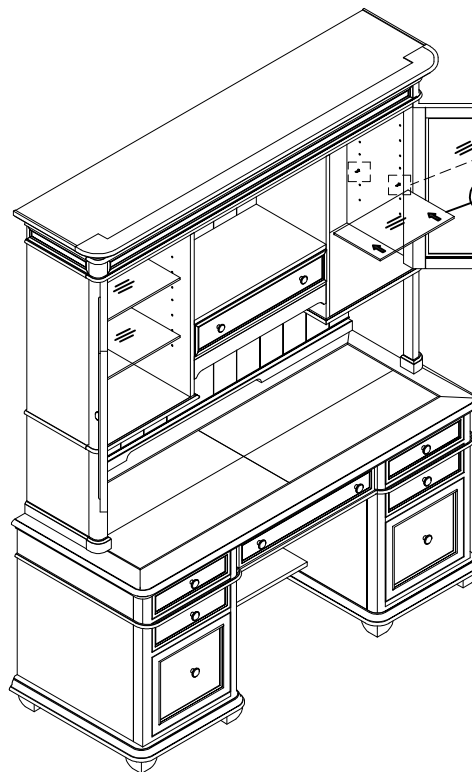




Tipping Restraint Hardware Kit (C)
(Inside White Plastic Bag)



Step 3



Step 4

Note :

The light in the top of the hutch is controlled by a touch switch connected to the top hinge of the right hand door.

The levelers in the bottom of the Bun Feet can be adjusted if necessary to compensate for uneven flooring