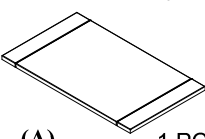
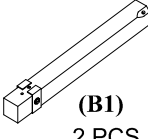
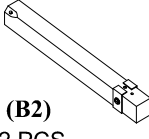
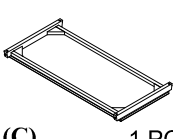

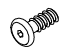






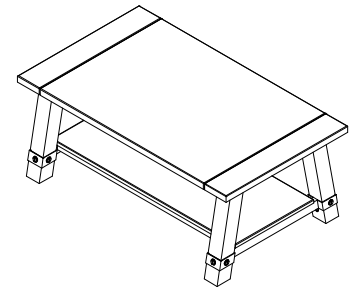
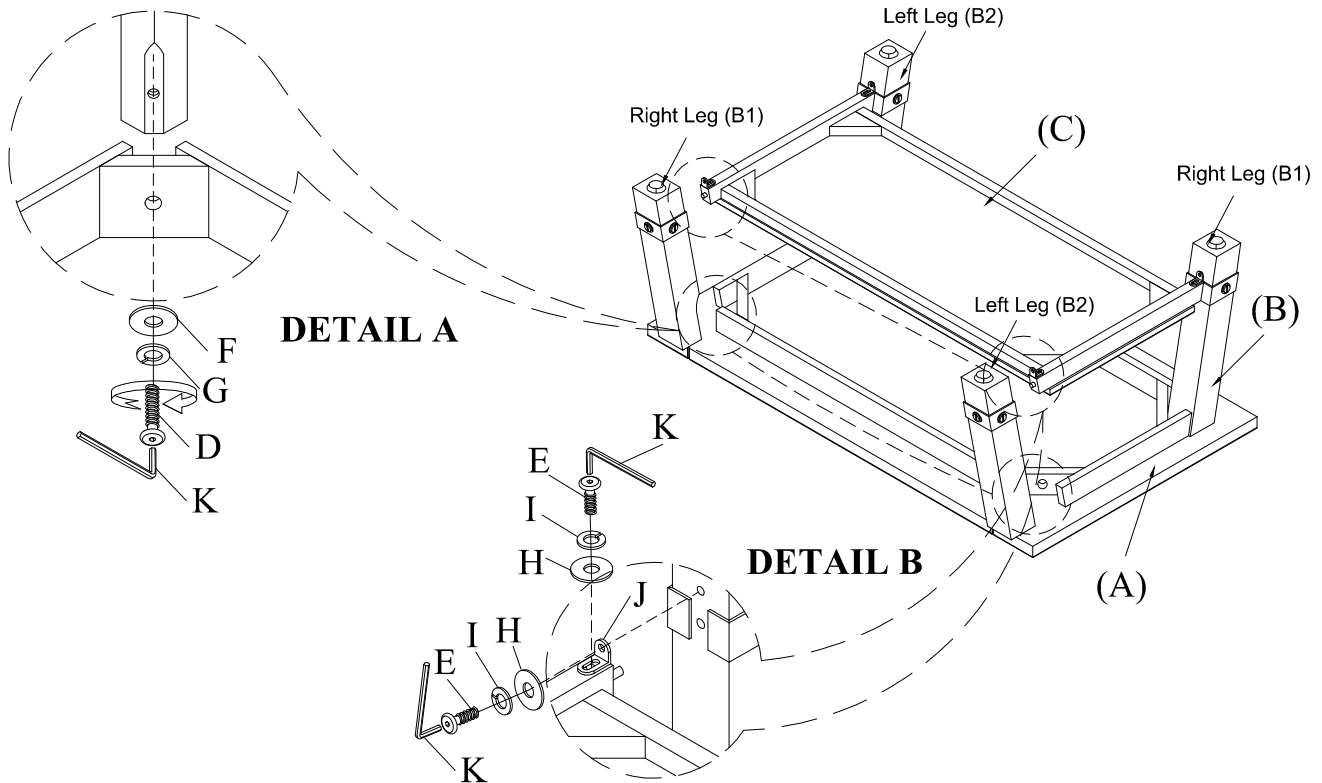


Component And Hardware List

 <p>(A) 1 PC.</p>	 <p>(B1) 2 PCS.</p>	 <p>(B2) 2 PCS.</p>	 <p>(C) 1 PC.</p>	 <p>(D) 4 PCS.</p>
 <p>(E) 8 PCS.</p>	 <p>(F) 4 PCS.</p>	 <p>(G) 4 PCS.</p>	 <p>(H) 8 PCS.</p>	 <p>(I) 8 PCS.</p>
 <p>(J) 4 PCS.</p>	 <p>(K) 1 PC.</p>	<p>Be sure to check all packing material carefully for small parts, which may have come loose inside the carton during shipment. Separate, count and check all parts against the Components and Hardware List.</p>		



#76501
ANGLED LEG
COCKTAIL TABLE



ASSEMBLY PROCEDURE:

1. Place the Top Assembly (A) upside down on a soft and smooth surface.
2. Assemble the Right & Left Legs (B1 & B2) into the proper corners of the Top Assembly by using Bolt (D) Spring Washer (G) & Flat Washer (F) as shown in **DETAIL A**. Do not fully tighten until Step 5.
3. Assemble 'L' Brackets (J) to the Shelf (C) using Bolts (E) Spring Washer (I) & Flat Washer (H) as shown in **DETAIL B**.
4. Assemble the Shelf between the Legs and attach the L-Brackets to the Legs using the same Bolts and Washers as in previous Step.
5. Pull each Leg snug to the Shelf and tighten all Bolts using the Allen Wrench (K).
6. Turn the assembled Table upright.

THANK YOU FOR YOUR PURCHASE.