

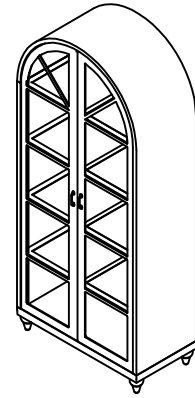


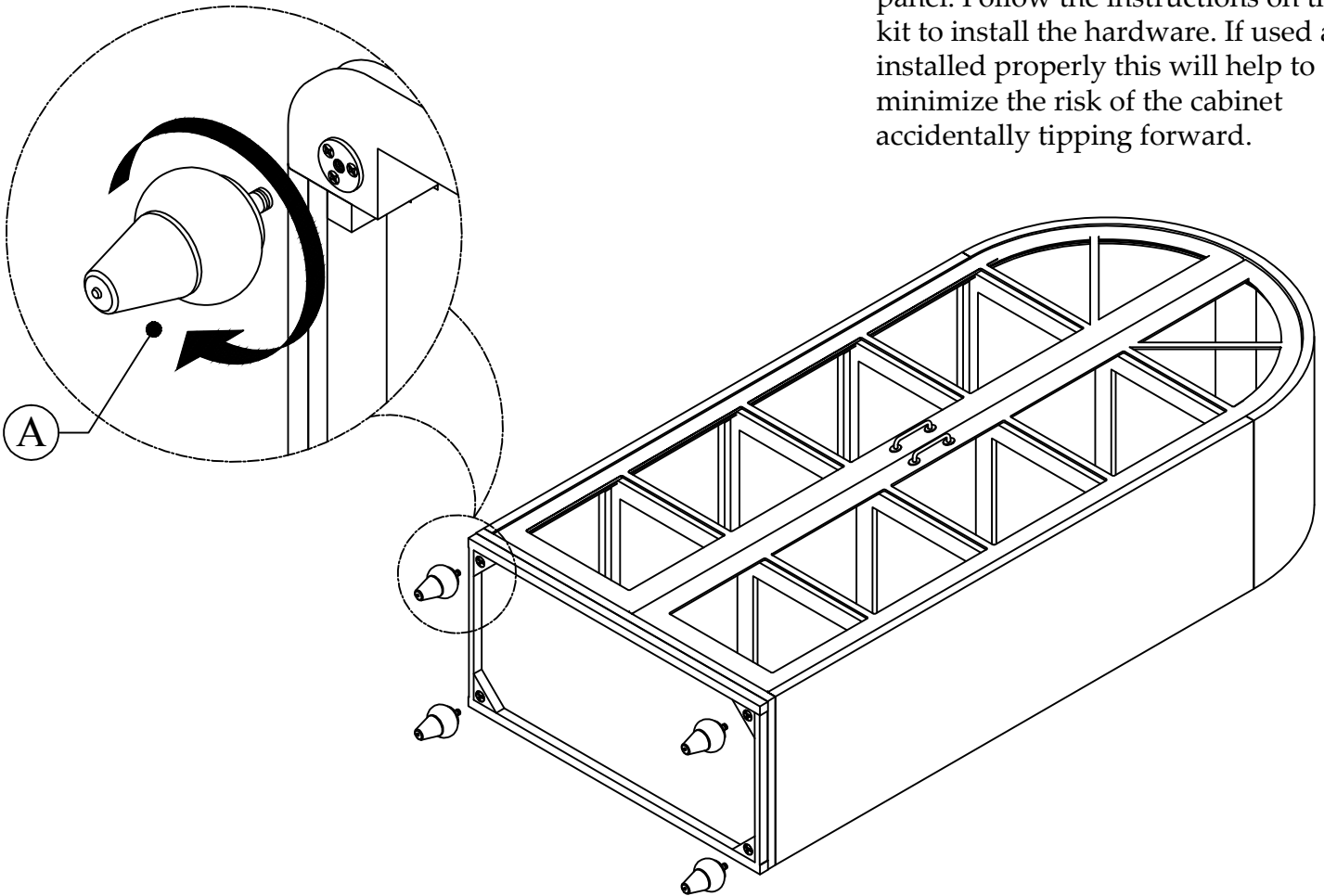
Components and Hardware List

 <p>(A) Bun Foot 4 pcs.</p>	 <p>(B) Furniture tipping Restraint Kit 2 pc.</p>
--	--



76054 - Display Cabinet

For product and personal safety, furniture tipping restraint kits have been included with this cabinet and can be found attached to the back panel. Follow the instructions on the kit to install the hardware. If used and installed properly this will help to minimize the risk of the cabinet accidentally tipping forward.



To prevent possible scratches and damage, this furniture must be assembled by two people on a soft surface such as a blanket or carpet.

Step 1: Carefully place the Display Cabinet on its back. Attach a bun foot to each corner as shown, making sure to fully tighten each bun foot.

Step 2: Set the Display Cabinet upright and move to the desired location in the room.