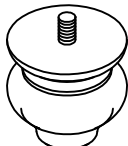


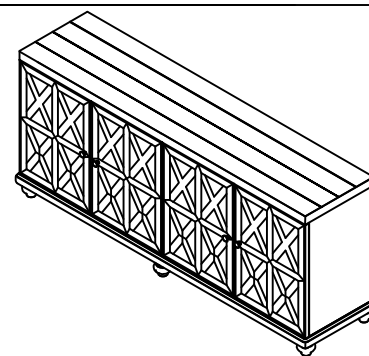


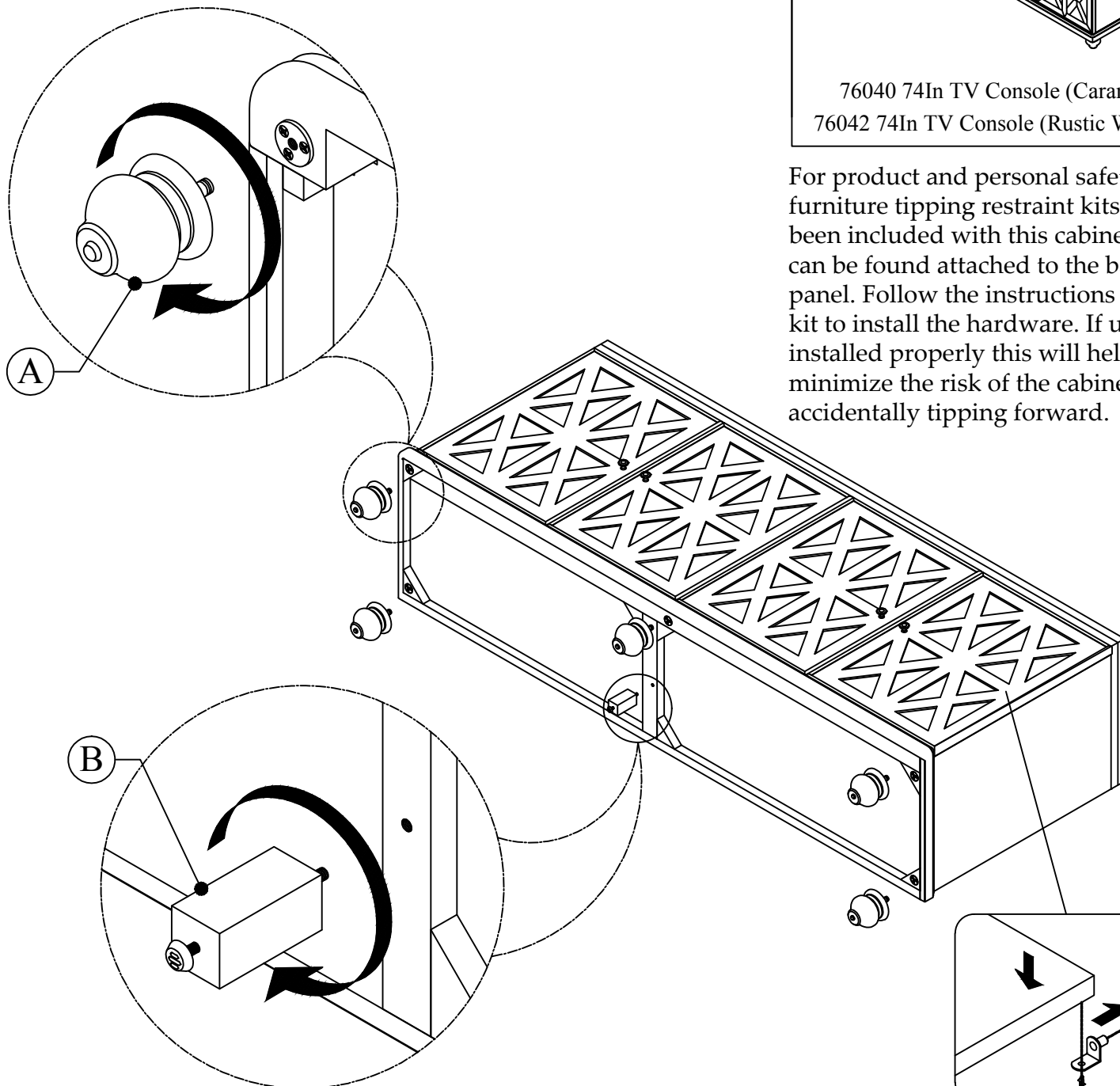
Components and Hardware List

<p>A</p>  <p>Bun feet 5 pcs.</p>	<p>B</p>  <p>Support leg 1 pc.</p>	<p>C</p>  <p>Furniture tipping Restraint Kit 2 pc.</p>
--	--	--



76040 74In TV Console (Caramel)
76042 74In TV Console (Rustic White)

For product and personal safety, furniture tipping restraint kits have been included with this cabinet and can be found attached to the back panel. Follow the instructions on the kit to install the hardware. If used and installed properly this will help to minimize the risk of the cabinet accidentally tipping forward.



To prevent possible scratches and damage, this furniture must be assembled by two people on a soft surface such as a blanket or carpet.

Step 1: Carefully place the TV Console on its back. Attach a bun foot (A) to each corner and the center front as shown, making sure to fully tighten each bun foot.

Step 2: Install the support foot on the bottom of the unit as shown. Make sure to fully tighten the support foot.

Step 3: Set the TV console upright and move to the desired location in the room.

To move the adjustable shelves, remove the screws from the shelf pins as shown.