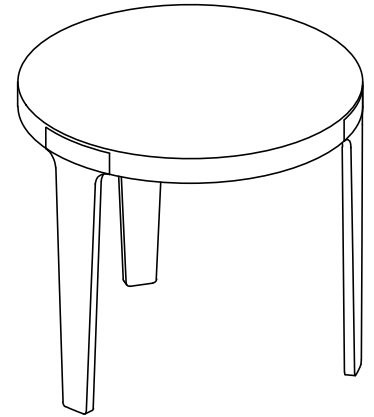



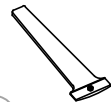
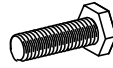

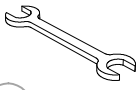
Warning :

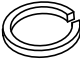
- Be sure to check all packing material carefully for small parts, which may have come loose inside the carton during shipment.
- To prevent possible scratches and damage, this furniture must be assembled on a soft surface such as a blanket or carpet.



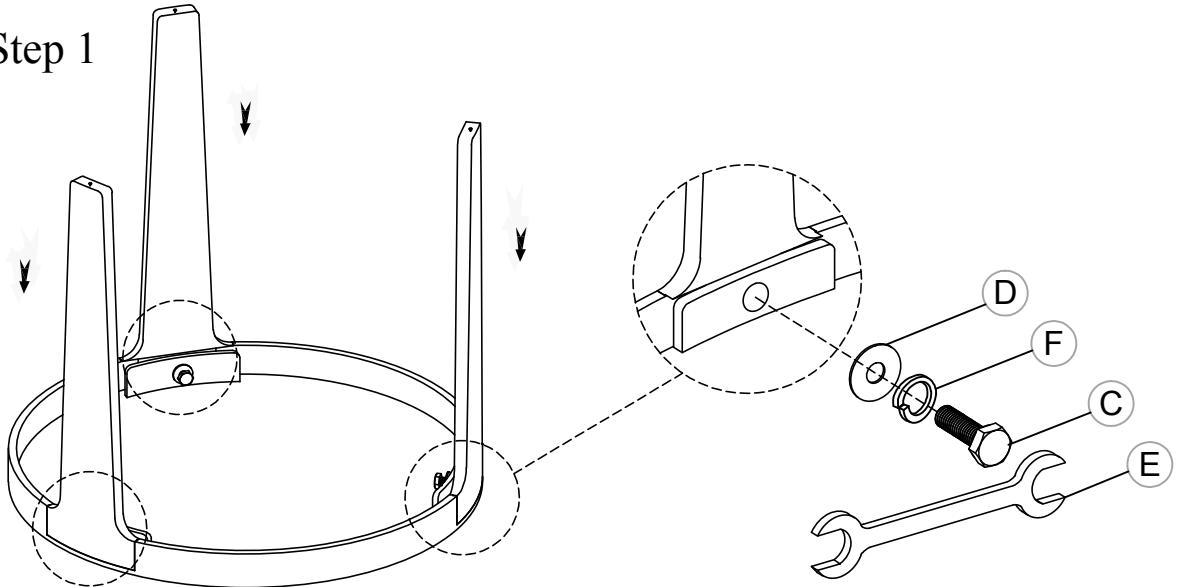
73509
Round End Table

Components and Hardware List

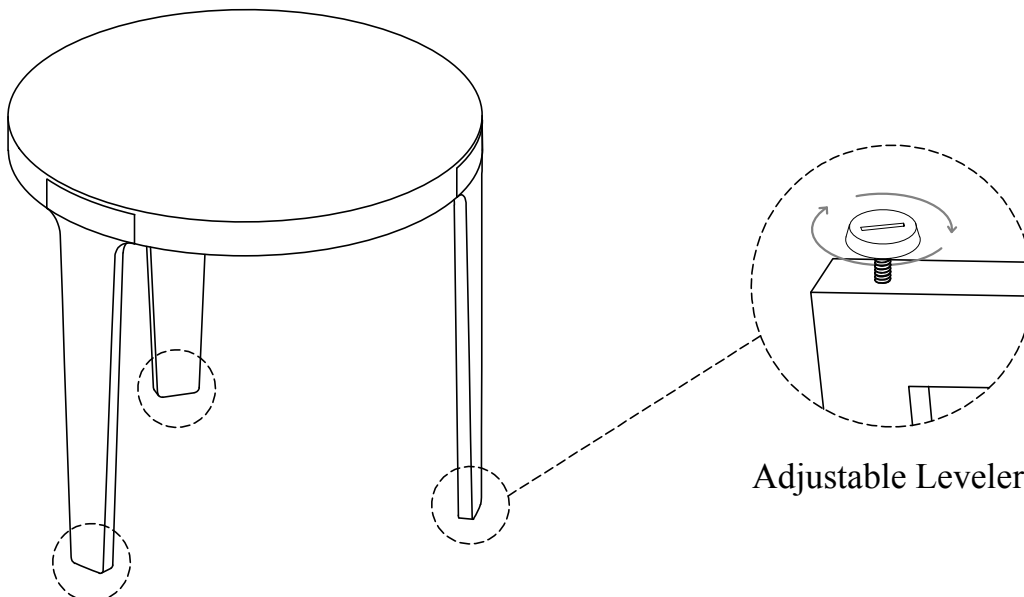
<p>Metal Top</p>  <p>A 1 pc.</p>	<p>Metal Leg</p>  <p>B 3 pcs.</p>	<p>Ø 5/16" x 1" Bolt</p>  <p>C 3 pcs.</p>	<p>Ø 5/16" (8mm) Flat Washer</p>  <p>D 3 pcs.</p>	<p>No. 12x13 Wrench</p>  <p>E 1 pc.</p>
---	---	---	---	--

<p>11x11x2 mm Lock Washer</p>  <p>F 3 pcs.</p>
--

Step 1



Complete



Adjustable Leveler