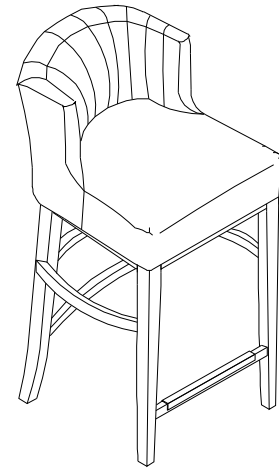
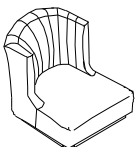


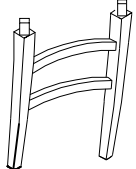
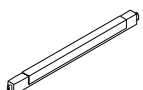


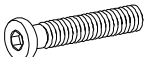



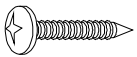


**Components and Hardware List (for one chair)**

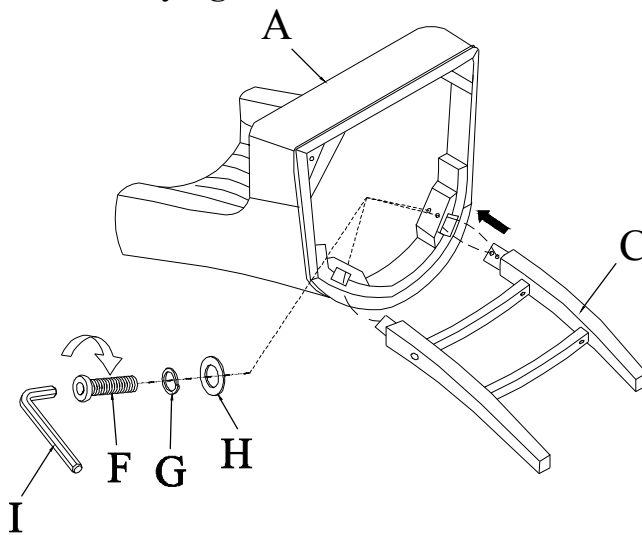


73455  
UPH CURVE-BK CNTR STL 2IN

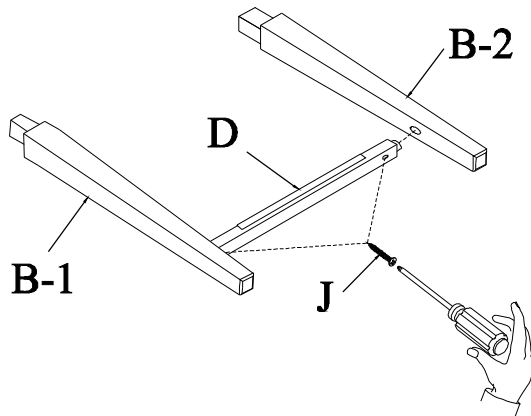
<p>Chair Back</p>  <p>A 1 pc.</p>	<p>Left Front Legs</p>  <p>B-1 1 pc.</p>	<p>Right Front Legs</p>  <p>B-2 1 pc.</p>		
<p>Back Legs Frame</p>  <p>C 1 pc.</p>	<p>Front Stretcher</p>  <p>D 1 pc.</p>	<p>Left Side Stretcher</p>  <p>E-1 1 pc.</p>	<p>Right Side Stretcher</p>  <p>E-2 1 pc.</p>	
<p>Ø5/16" x 2" Allen Head Bolt</p>  <p>F 8 pcs.</p>	<p>Lock Washer 5/16"</p>  <p>G 8 pcs.</p>	<p>Flat Washer 5/16"</p>  <p>H 8 pcs.</p>	<p>5mm Allen Key</p>  <p>I 1 pc.</p>	<p>#8 x 1-1/2" Wood Screw</p>  <p>J 6 pcs.</p>

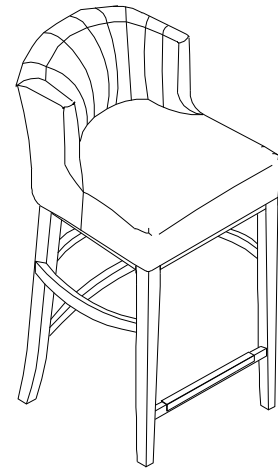
Be sure to check all packing material carefully for small parts, which may have come loose inside the carton during shipment.

**STEP 1: Do not fully tighten the bolt**



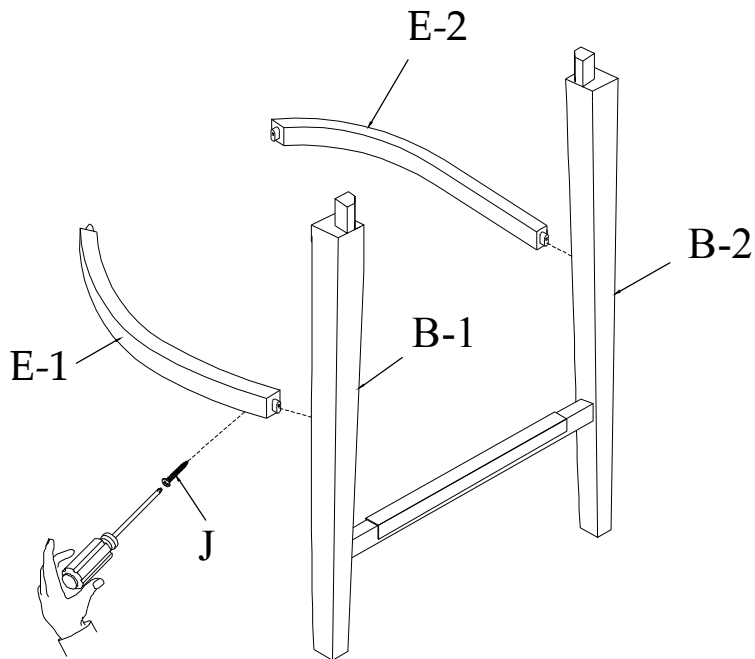
**STEP 2**





73455  
UPH CURVE-BK CNTR STL 2IN

**STEP 3: Do not fully tighten the screw**



**STEP 4: Using the Allen key tighten all bolt and screw**

