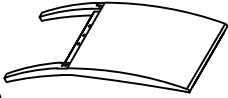
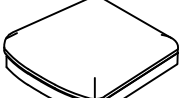

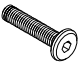
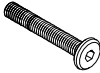


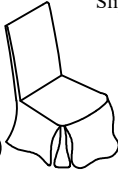
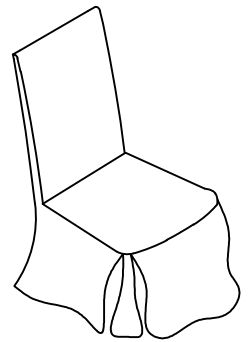


Components and Hardware List

Chair Back  1 pc.		Chair Seat  1 pc.		Front Leg  2 pcs.	
Ø5/16"-18 x 2" Allen Head Bolt  5 pcs.		Ø5/16"-18 x 3" Allen Head Bolt  4 pcs.		Ø5/16"x14mm Spring Washer  9 pcs.	
Ø4mm Allen Wrench  1 pc.		Slip Cover  1 pc.			

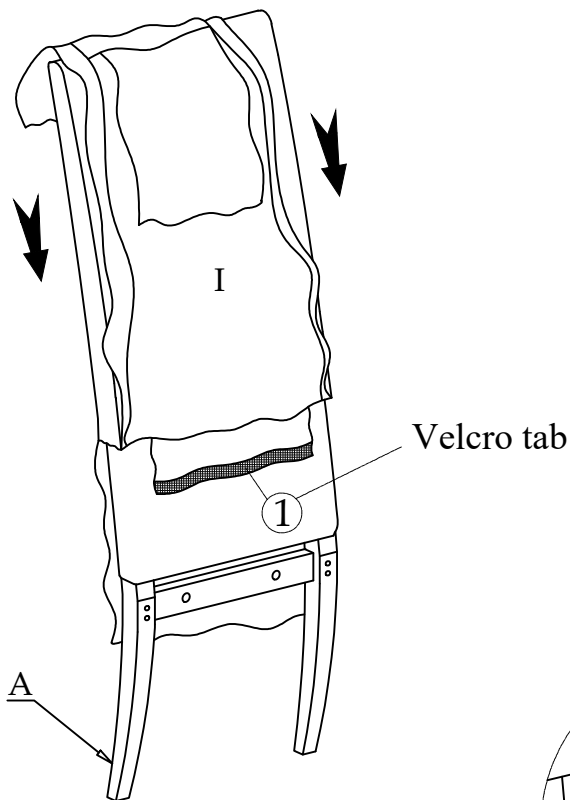
73259
Uph Slipcover Side Chair



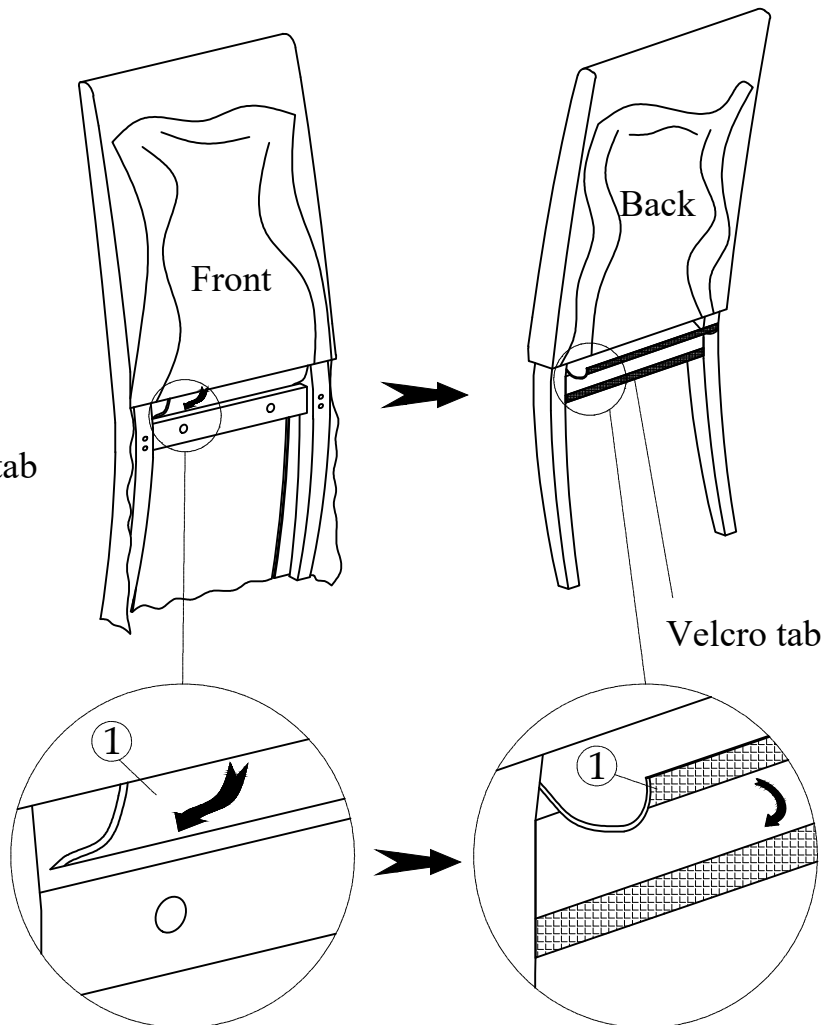
Be sure to check all packing material carefully for small parts, which may have come loose inside the carton during shipment.

To prevent possible scratches and damage, this furniture must be assembled by two people on a soft surface such as a blanket or carpet.

STEP 1

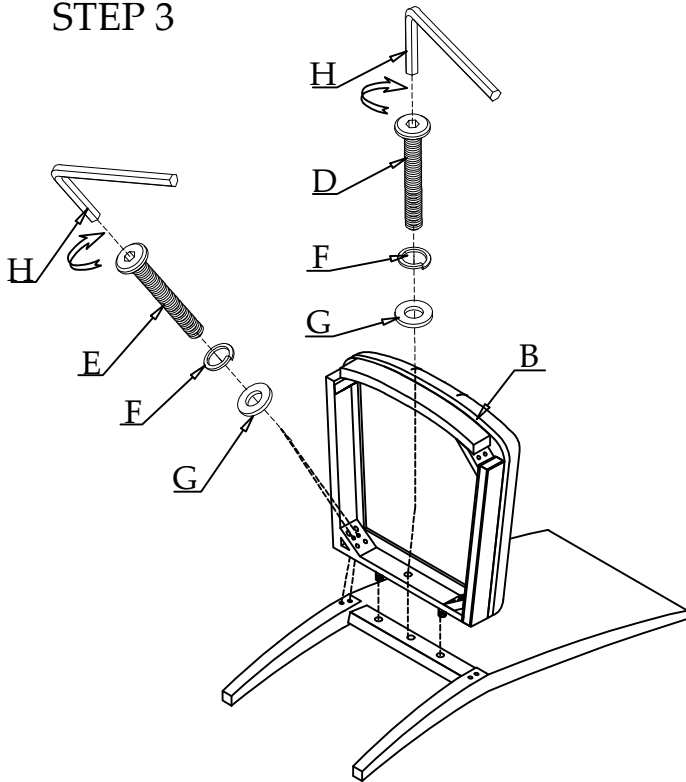


STEP 2

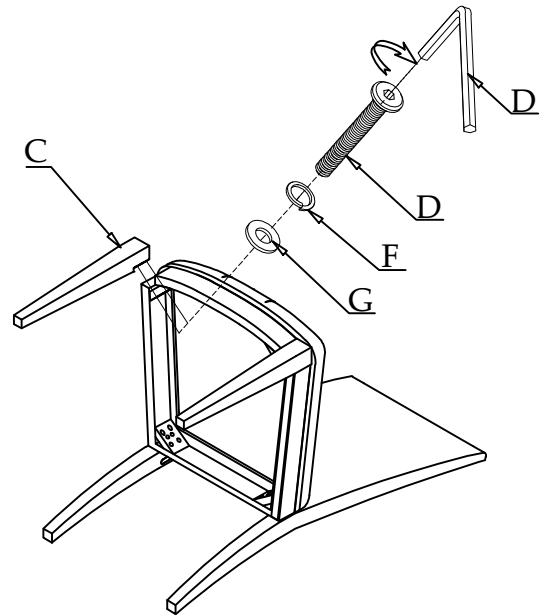


Note: Pull the Velcro tab thru the open area between wood frame and upholstered back and attach to the Velcro strip located on the back side of the wood frame rail

STEP 3

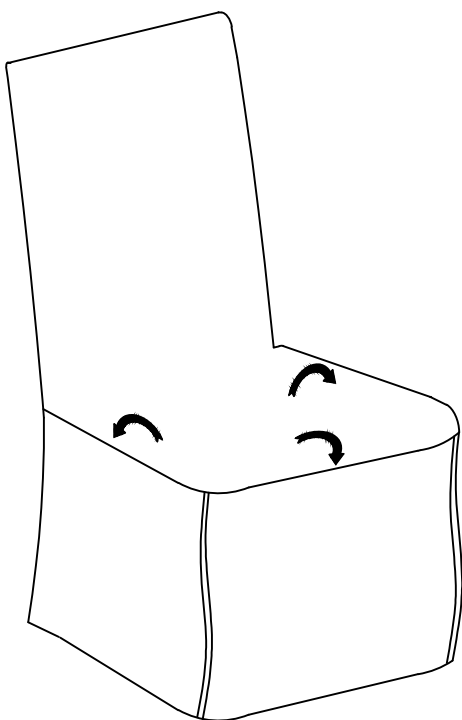


STEP 4



Do not fully tighten the bolts until the chair is completely assembled. Once chair is fully assembled, set the chair upright on a flat surface until it sits level and then tighten all the bolts with the Allen wrench provided. Attach all Velcro strips to the seat frame rails. Attach all Velcro strips around legs.

STEP 5



STEP 6

