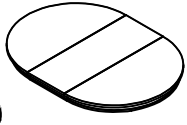
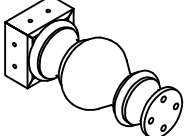
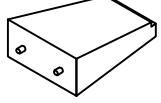
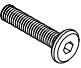
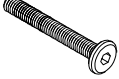

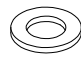

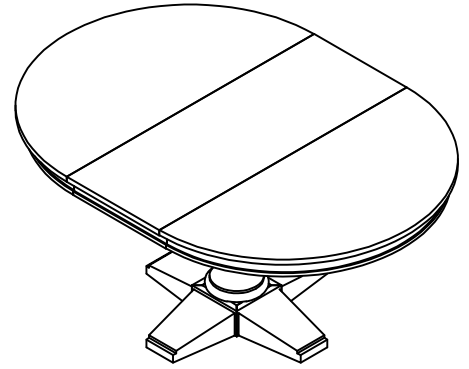


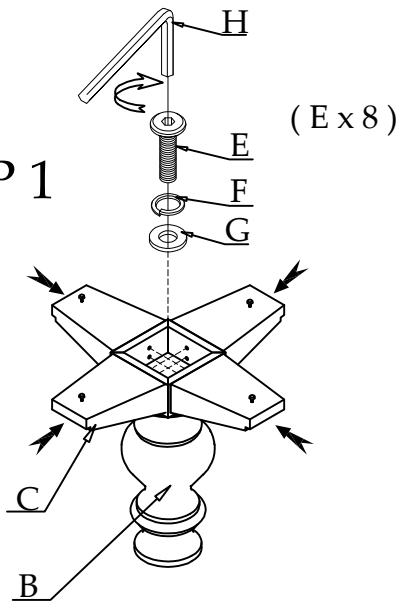
Components and Hardware List

 Table Top 1 pc.	 Leg 1 pc.	 Base 4 pcs.	
 Ø5/16"-18 x 1-1/4" Allen Head Bolt 4 pcs.	 Ø5/16"-18 x 1-3/4" Allen Head Bolt 8 pcs.	 Ø5/16"x14mm Spring Washer 12 pcs.	 Ø5/16"x18mm Flat Washer 12 pcs.
 4mm Allen Wrench 1 pc.	Be sure to check all packing material carefully for small parts, which may have come loose inside the carton during shipment.		



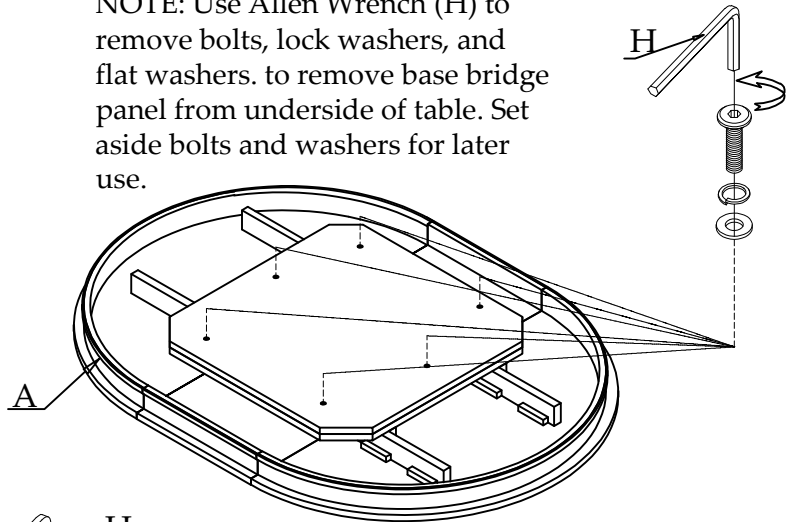
73252 Round Dining Table - Top
73253 Round Dining Table - Base

STEP 1

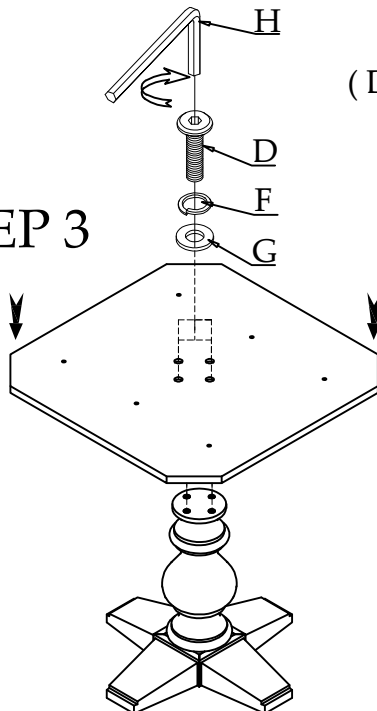


NOTE: Use Allen Wrench (H) to remove bolts, lock washers, and flat washers. to remove base bridge panel from underside of table. Set aside bolts and washers for later use.

STEP 2



STEP 3



NOTE: Use Allen Wrench (H) to attach base bridge panel to top of table base using bolts, lock washers and flat washers set aside after STEP 2.

