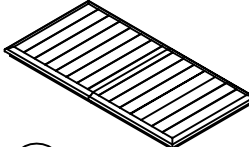
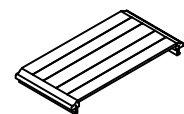
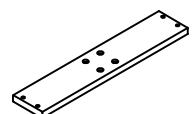
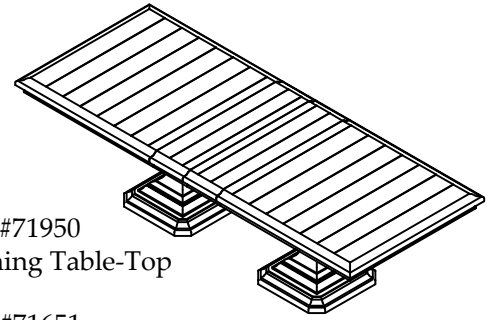


Components packed with the #71650 Table Top

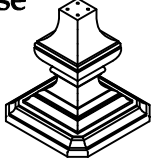
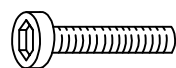



<p>Table Top</p>  <p>(A) 1 set</p>	<p>Table Leaf</p>  <p>(B) 1 pc.</p>	<p>Mounting Plate</p>  <p>(C) 2 pcs.</p>
--	--	---

#71950
Rect Dining Table-Top

#71651
Rect Dining Table-Base

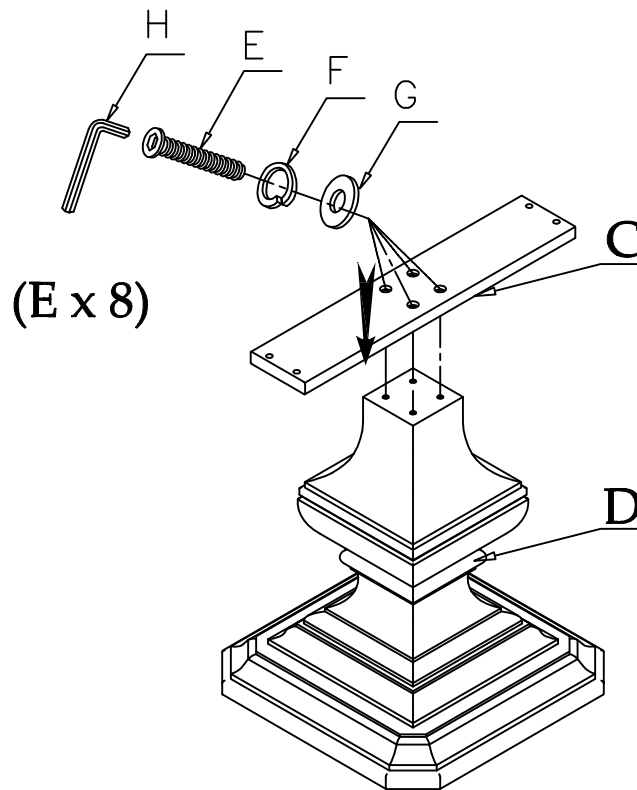


Components & Hardware packed with the #71651 Table Base

<p>Base</p>  <p>(D) 2 pcs.</p>	<p>M5/16"x1-3/4" Long Head Allen bolt</p>  <p>(E) 16 pcs.</p>	<p>5/16" Spring Washer</p>  <p>(F) 16 pcs.</p>	<p>5/16"x19*2mm Flat Washer</p>  <p>(G) 16 pcs.</p>	<p>5mm Allen Wrench</p>  <p>(H) 1 pc.</p>
---	---	--	---	---

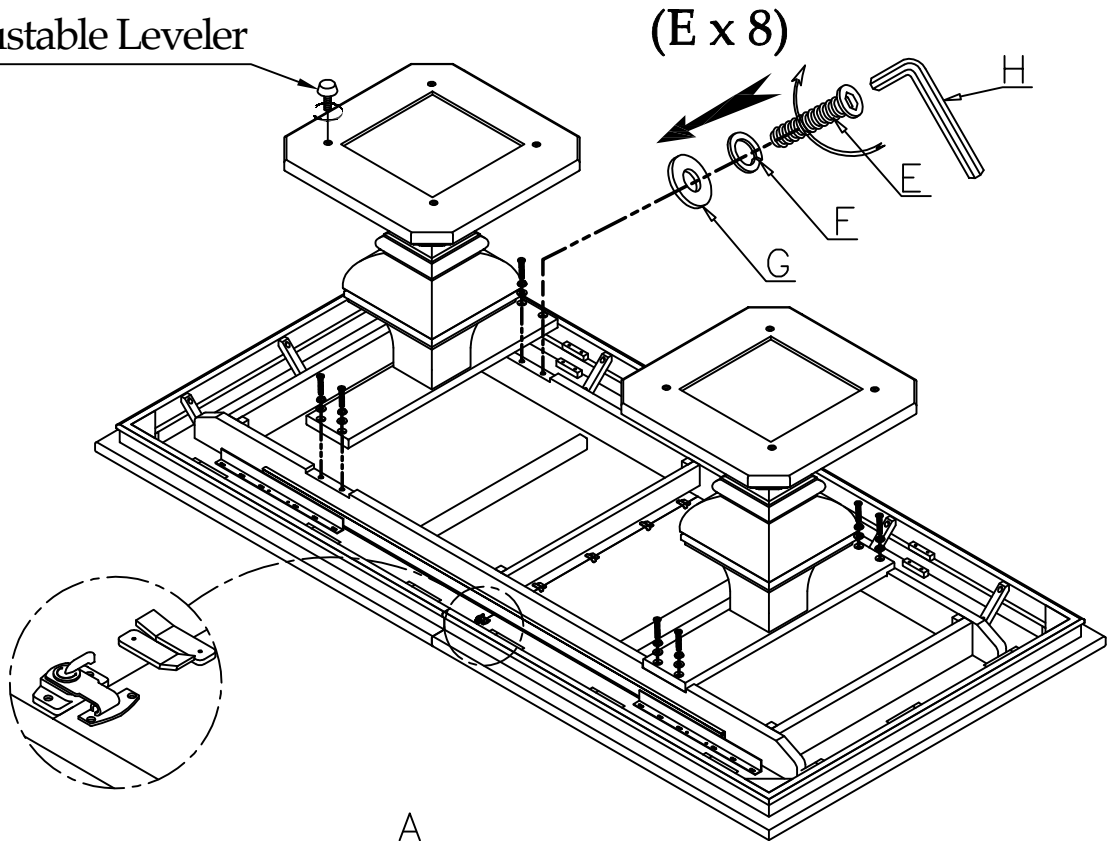
Be sure to check all packing material carefully for small parts, which may have come loose inside the carton during shipment.
To prevent possible scratches and damage, this furniture must be assembled by two people on a soft surface such as a blanket or carpet.

Step 1



Step 2

Adjustable Leveler
8Pcs



Step 3

