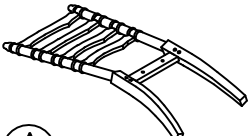


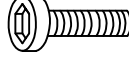

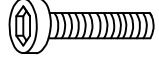


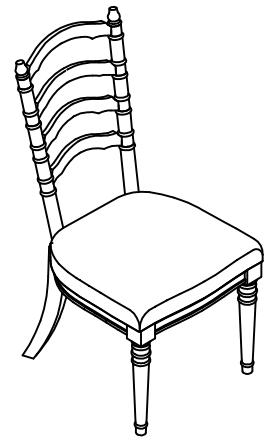



Components and Hardware List (for one chair)

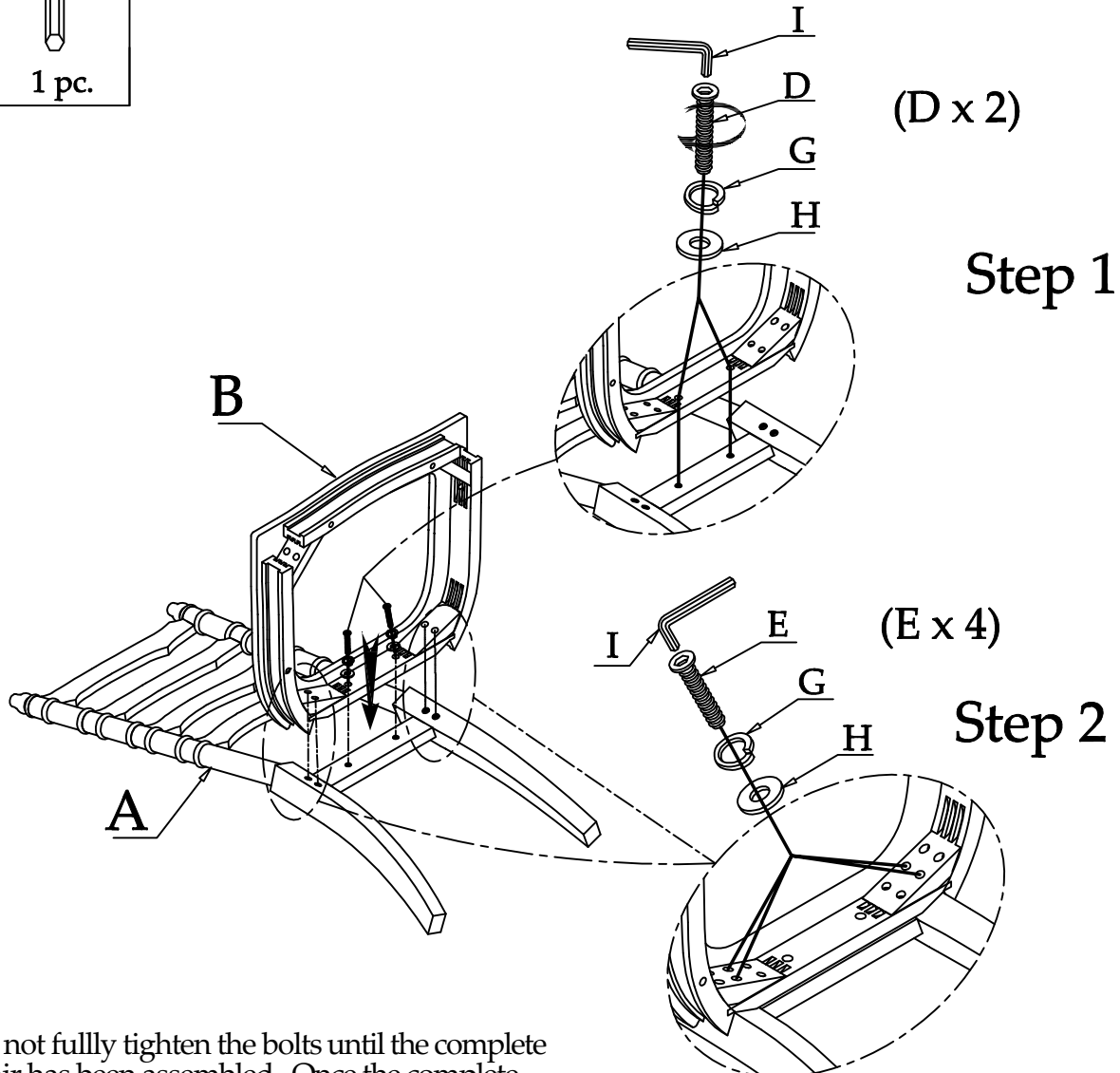
<p><b>Back Frame</b></p>  <p><b>A</b> 1 pc.</p>	<p><b>Seat Frame</b></p>  <p><b>B</b> 1 pc.</p>	<p><b>Front Leg</b></p>  <p><b>C</b> 2 pcs.</p>	<p><b>M 5/16"-18 x 1-1/2" Allen Head Bolt</b></p>  <p><b>D</b> 2 pcs.</p>
<p><b>M5/16"-18 x 2-1/2" Allen Head Bolt</b></p>  <p><b>E</b> 4 pcs.</p>	<p><b>M 5/16"-18 x 2" Allen Head Bolt</b></p>  <p><b>F</b> 4 pcs.</p>	<p><b>5/16" Spring Washer</b></p>  <p><b>G</b> 10 pcs.</p>	<p><b>5/16" x 19 x 2mm Flat Washer</b></p>  <p><b>H</b> 10 pcs.</p>



#71658  
Uph Ladderback Side Chair

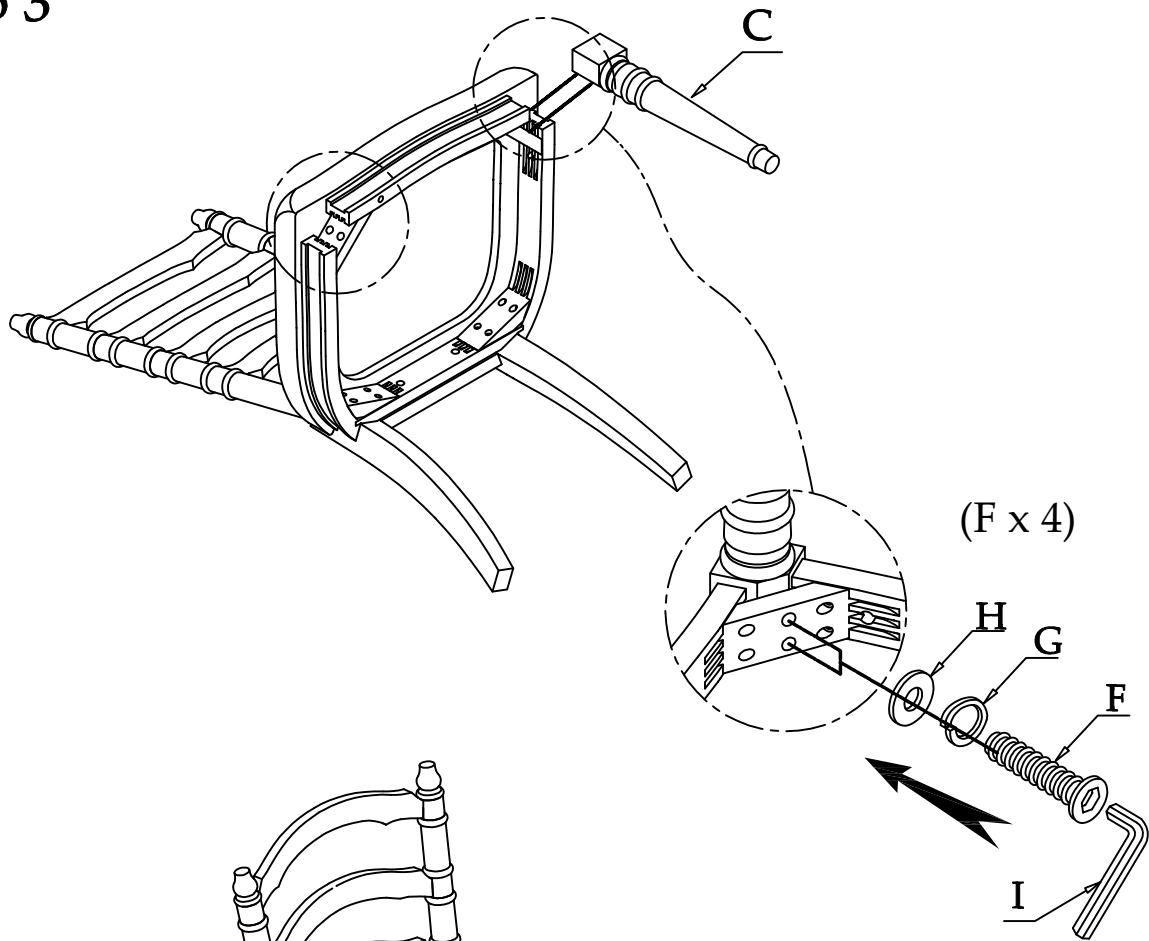
<p><b>5mm Allen Wrench</b></p>  <p><b>I</b> 1 pc.</p>
--

Be sure to check all packing material carefully for small parts, which may have come loose inside the carton during shipment.



Do not fully tighten the bolts until the complete chair has been assembled. Once the complete chair is assembled, set it upright on a flat surface to level the chair. Using the provided allen wrench, tighten all the bolts.

### Step 3



### Step 4

