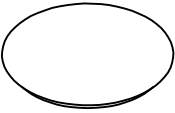

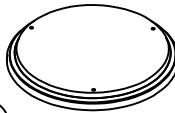
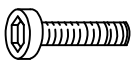


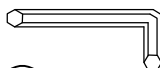
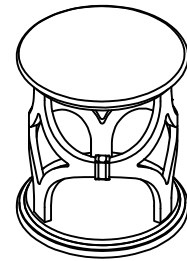
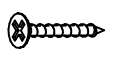


Components and Hardware List

<p><b>Top Frame</b></p>  <p><b>(A)</b> 1 pc.</p>	<p><b>Frame Legs</b></p>  <p><b>(B)</b> 3 pcs.</p>	<p><b>Bottom Frame</b></p>  <p><b>(C)</b> 1 pc.</p>	
<p><b>Ø1/4 x 1-3/8" Allen Head Bolt</b></p>  <p><b>(D)</b> 6 pcs.</p>	<p><b>Ø1/4" Spring Washer</b></p>  <p><b>(E)</b> 6 pcs.</p>	<p><b>Ø1/4" x 16 x 2mm Flat Washer</b></p>  <p><b>(F)</b> 6 pcs.</p>	<p><b>4mm Allen Key</b></p>  <p><b>(G)</b> 1 pc.</p>

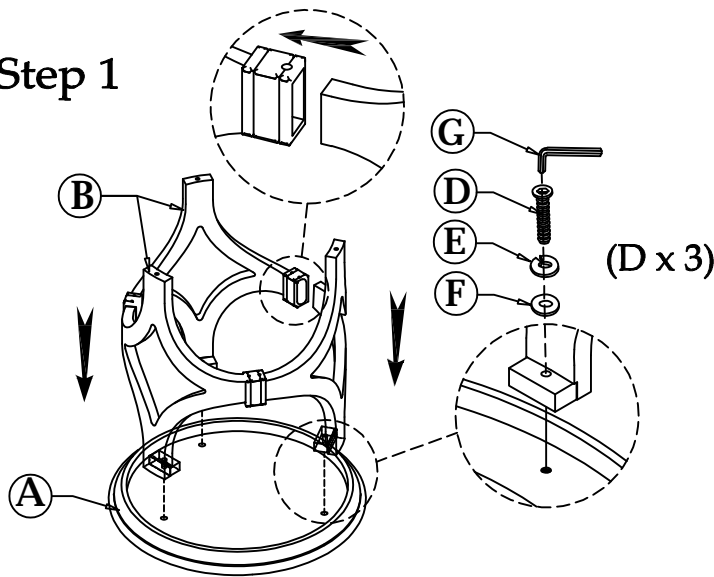


#71409  
Round End Table

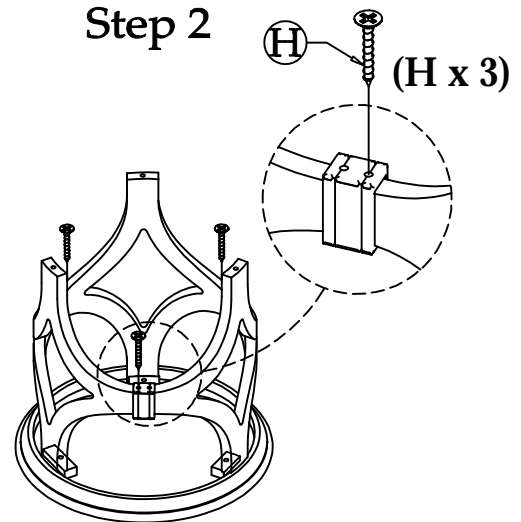
<p><b>#4 x 1" Wood Screw</b></p>  <p><b>(H)</b> 3 pcs.</p>
---

Be sure to check all packing material carefully for small parts, which may have come loose inside the carton during shipment.  
To prevent possible scratches and damage, this furniture should be assembled on a soft surface such as a blanket or carpet.

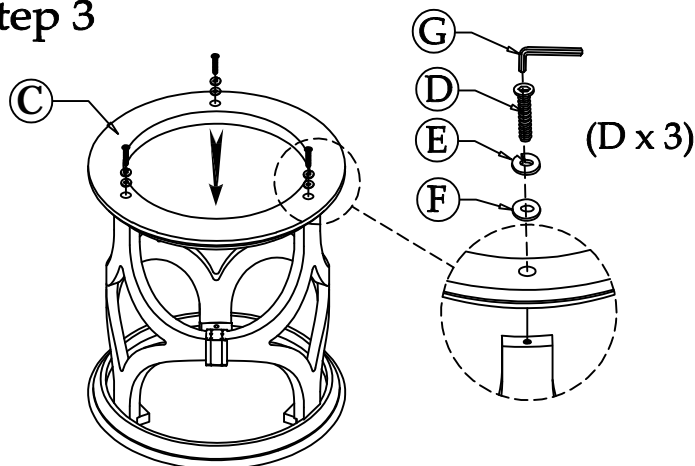
Step 1



Step 2



Step 3



Step 4

