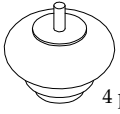
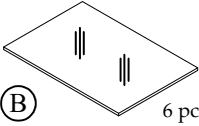

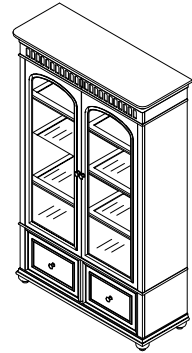


**Components and Hardware List**

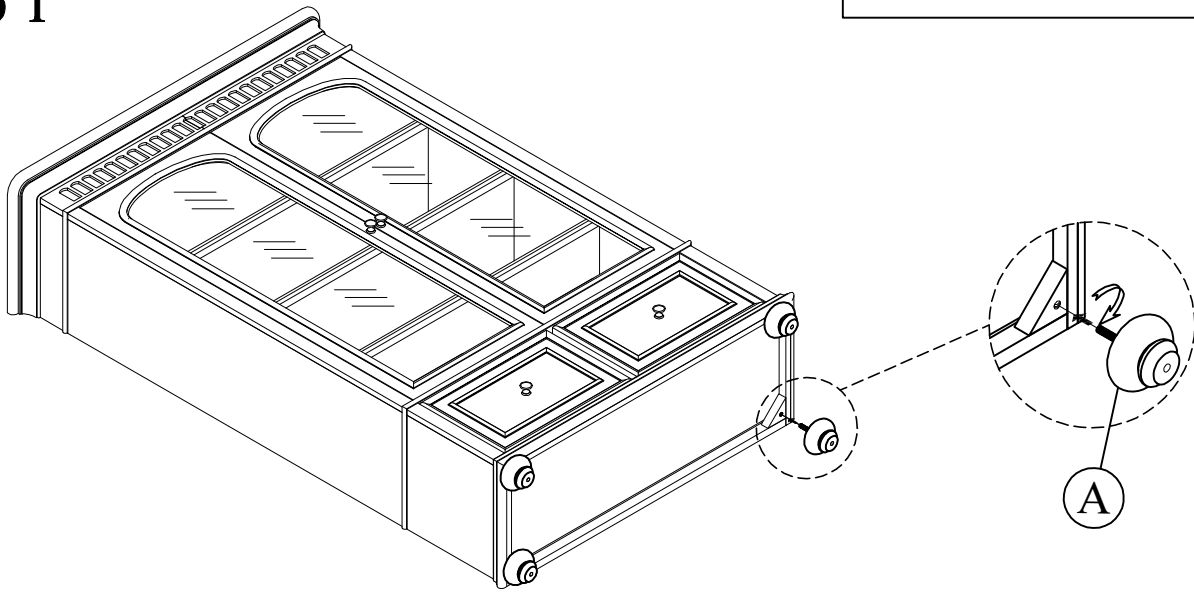
<p>Bun Foot W / Leveler</p>  <p>(A) 4 pcs.</p>	<p>Glass Shelf</p>  <p>(B) 6 pcs.</p>	<p>Furniture Tipping Restraint Kit</p>  <p>(C) 1 pc.</p>
---	--	---



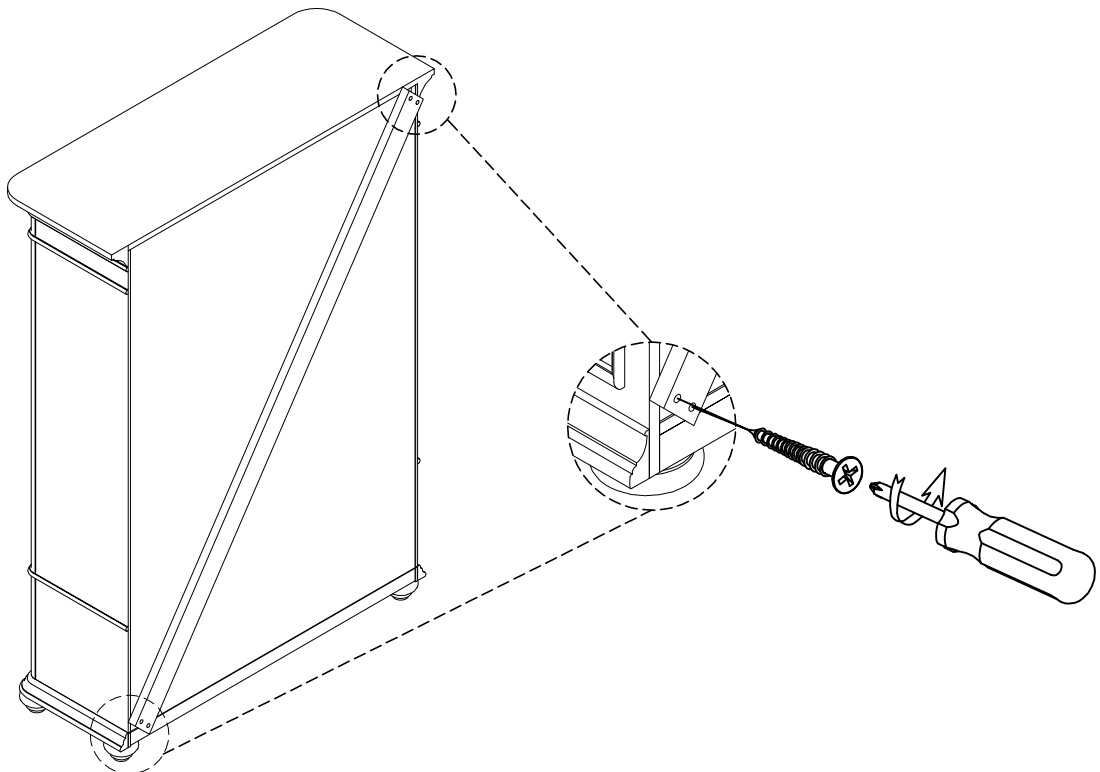
**64337 Door Bookcase**

Be sure to check all packing material carefully for small parts, which may have come loose inside the carton during shipment. To prevent scratches or damage, assemble the desk on a soft surface such as a blanket or carpet.

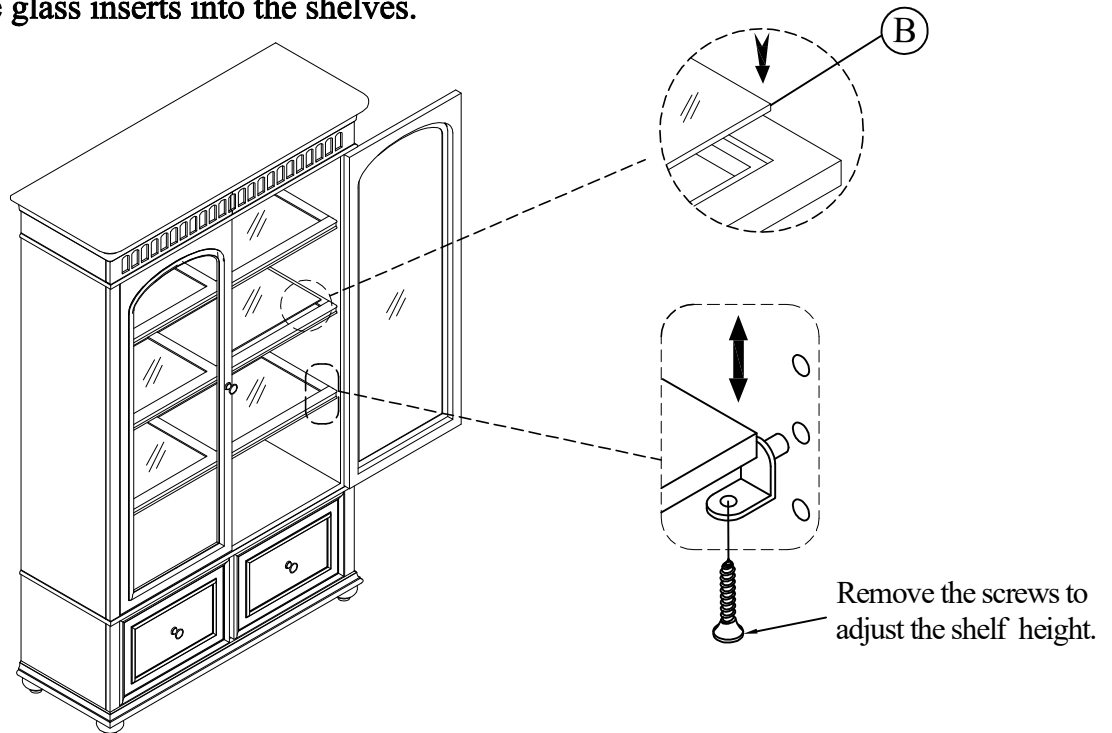
**Step 1**



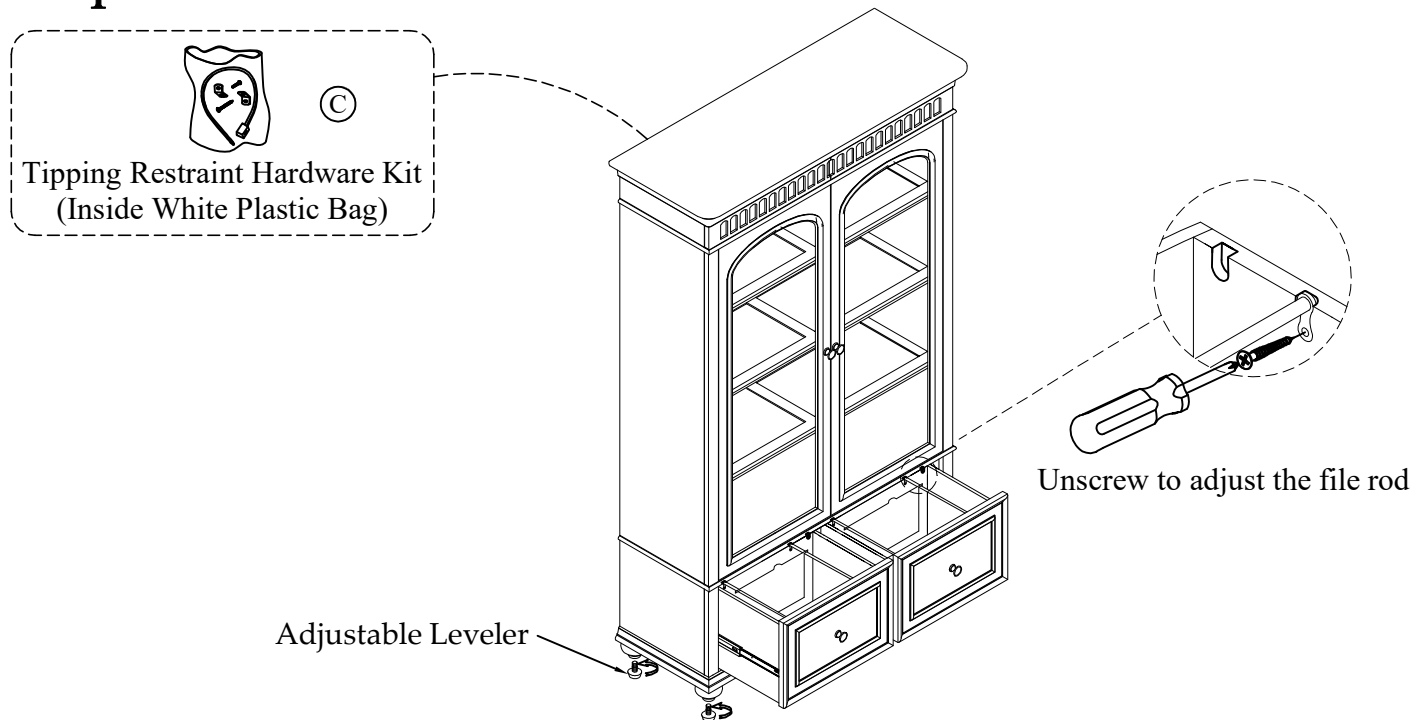
**Step 2:** Remove and discard the wooden shipping brace attached on the back side of the bookcase.



### Step 3 Install the glass inserts into the shelves.



### Step 4



For product and personal safety, 1 Furniture Tipping Restraint kit has been included with this unit which can help to minimize the risk of the unit accidentally tipping forward, if used and properly installed per the kit manufacturer's instructions.

The light in the top of the bookcase is controlled by a touch switch connected to the top hinge of the right hand door.

The file drawers may be set up to use either letter or legal size hanging file folders using the file rods installed in the drawers.

The levelers in the bottom of the Bun Feet can be adjusted if necessary to compensate for uneven flooring