


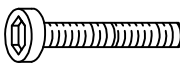



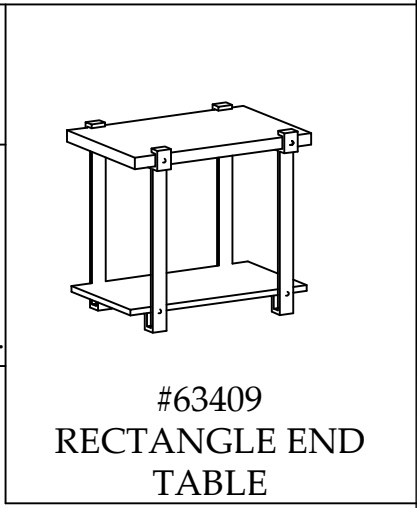


**Components and Hardware List**

<p><b>Table Top</b></p>  <p><b>(A)</b> 1 pc.</p>	<p><b>Metal Leg</b></p>  <p><b>(B)</b> 4 pcs.</p>	<p><b>Table Shelf</b></p>  <p><b>(C)</b> 1 pc.</p>	<p><b>8mm x 25mm Allen Head Bolt</b></p>  <p><b>(D)</b> 16 pcs.</p>
<p><b>8x14x2mm Spring Washer</b></p>  <p><b>(E)</b> 16 pcs.</p>	<p><b>8 x 23 x 1.75 mm Flat Washer</b></p>  <p><b>(F)</b> 16 pcs.</p>	<p><b>5mm Allen Wrench</b></p>  <p><b>(G)</b> 1 pc.</p>	



Be sure to check all packing material carefully for small parts, which may have come loose inside the carton during shipment.

To prevent possible scratches and damage, this furniture should be assembled on a soft surface such as a blanket or carpet.

