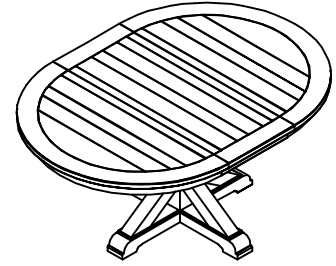


Warning

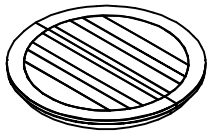
- Be sure to check all packing material carefully for small parts, which may have come loose inside the carton during shipment.
- To prevent possible scratches and damage, this furniture **MUST BE ASSEMBLED BY TWO PEOPLE** on a soft surface such as a blanket or carpet.



#60252
ROUND DINING TABLE TOP
#60253
ROUND DINING TABLE BASE

Components packed with the #60252 Top

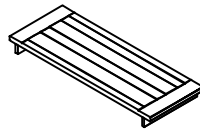
Table Top



(A)

1PC

Top Leaf

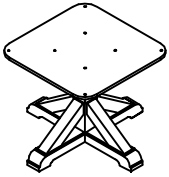


(B)

1PC

Components & Hardware packed with the #60253 Table Base

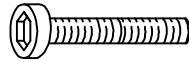
Base



(C)

1PC

5/16" x 18 x 1-1/2"
Allen Head Bolt



(D)

8PCS

5/16" x 12mm x 3mm
Spring Washer



(E)

8PCS

5/16" x 19mm x 2mm
Flat Washer



(F)

8PCS

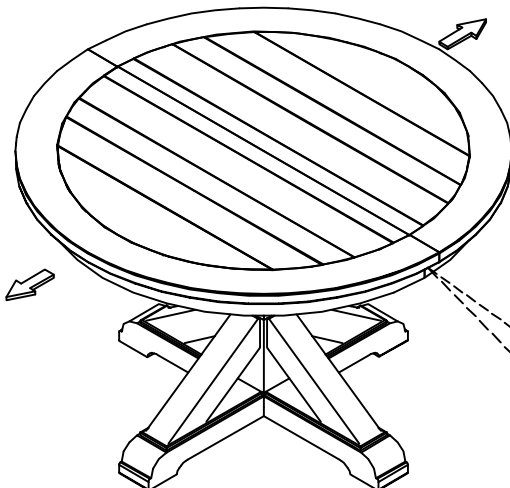
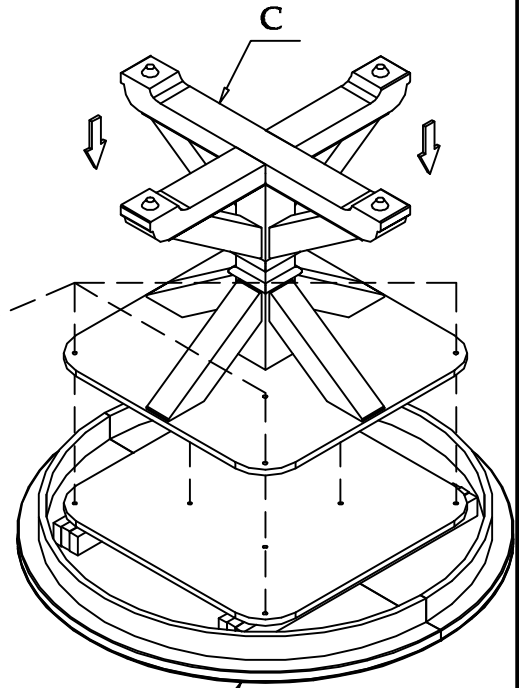
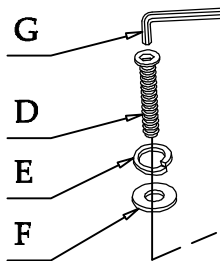
5mm Allen key



(G)

1PC

Step 1



Step 2

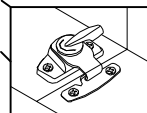


TABLE LOCK
Closed position

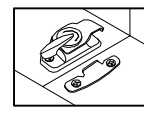
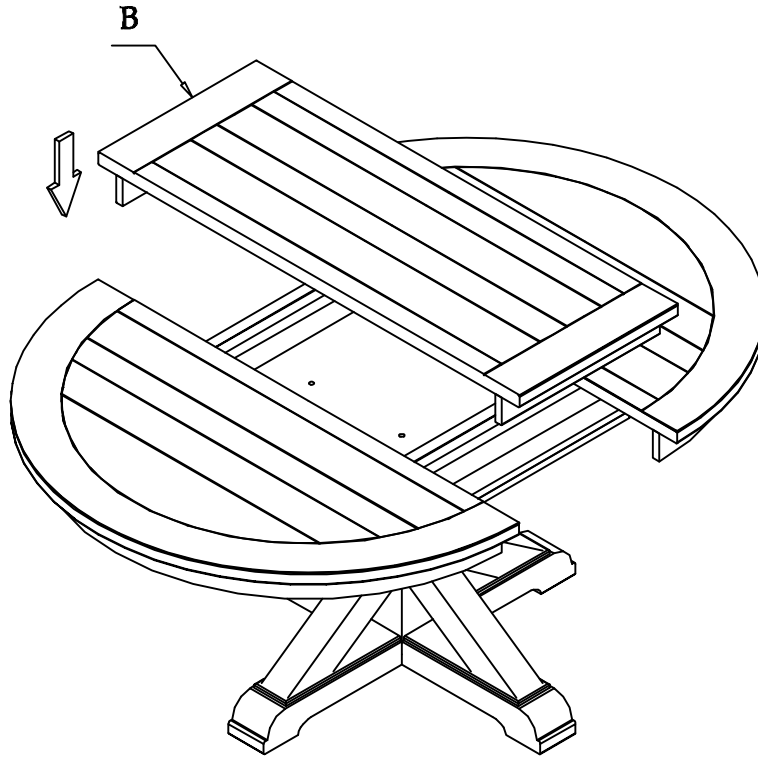


TABLE LOCK
Open position

Step 3



Step 4

