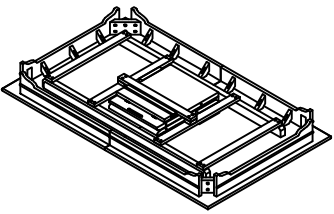

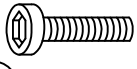



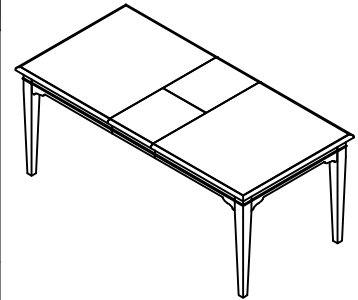


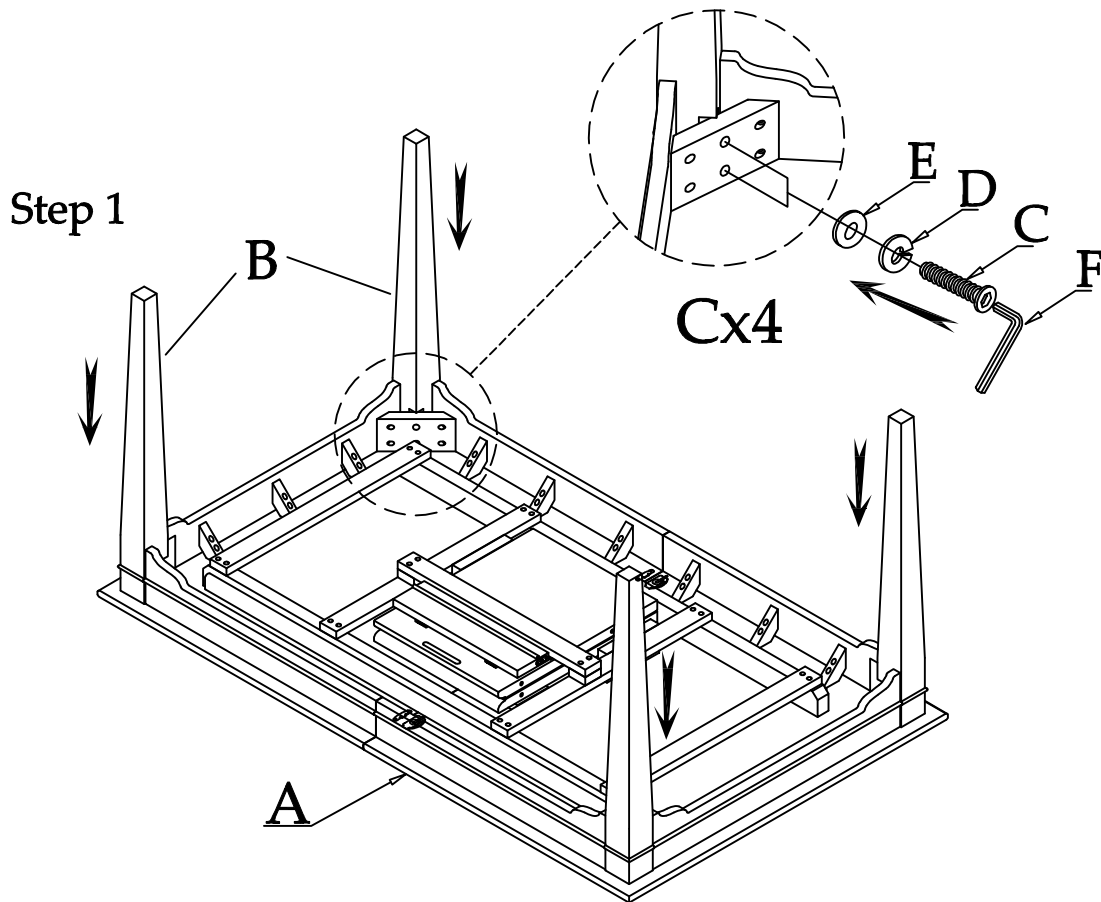
Components and Hardware List

<p>Table Top</p>  <p>(A) 1 pc.</p>		<p>Leg</p>  <p>(B) 4 pcs.</p>	
<p>M5/16" -18 x 2-1/4" Allen Head Bolt</p>  <p>(C) 8 pcs.</p>	<p>5/16" Spring Washer</p>  <p>(D) 8 pcs.</p>	<p>5/16" x 19*2mm Flat Washer</p>  <p>(E) 8 pcs.</p>	<p>5mm Allen Key</p>  <p>(F) 1 pc.</p>

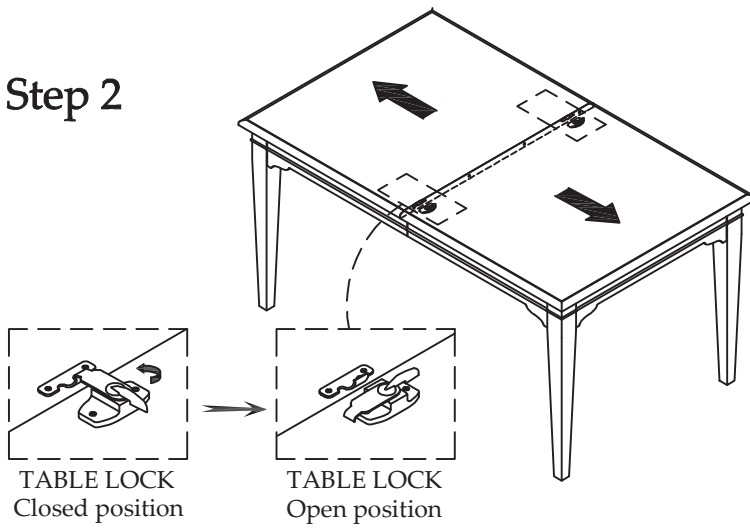


#59553
Dining Table

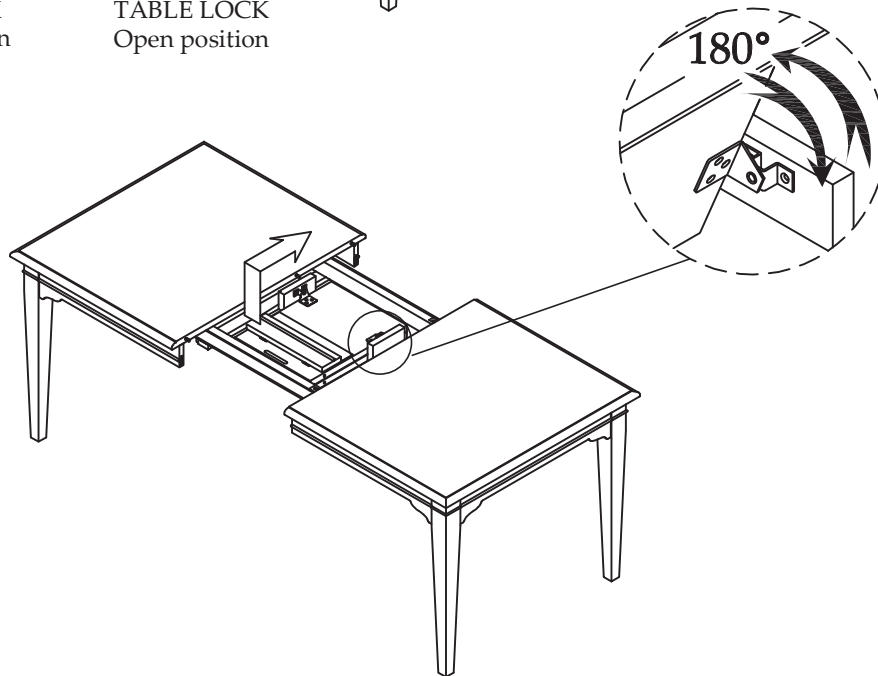
Be sure to check all packing material carefully for small parts, which may have come loose inside the carton during shipment.



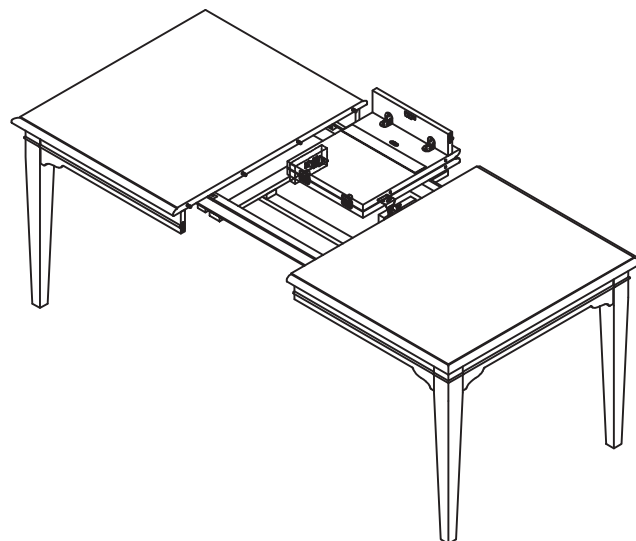
Step 2



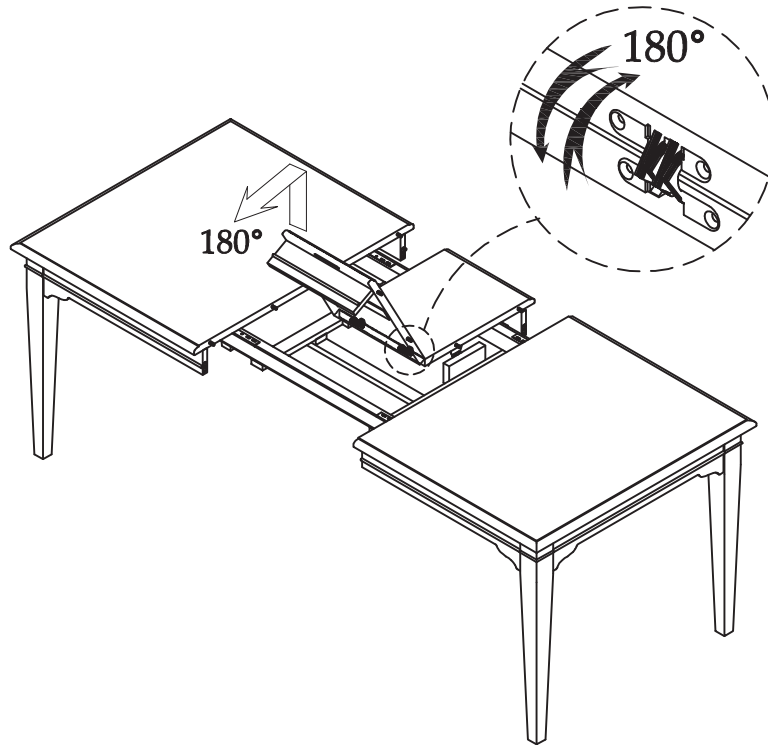
Step 3



Step 4



Step 5



Step 6

