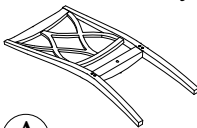
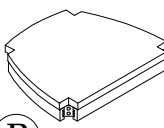

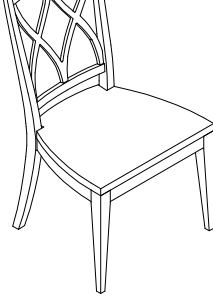
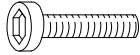
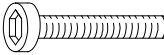


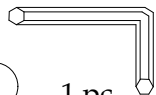
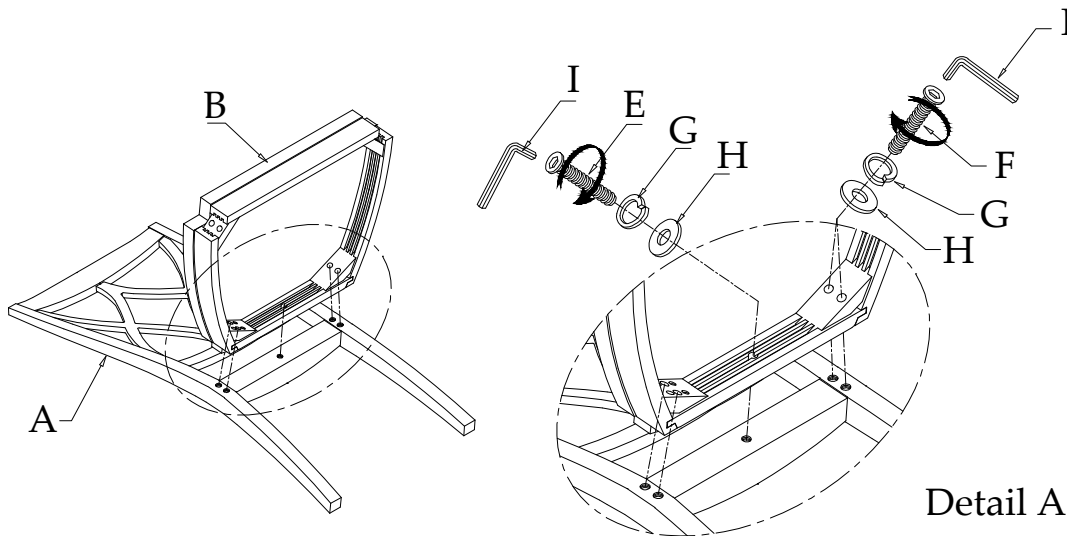


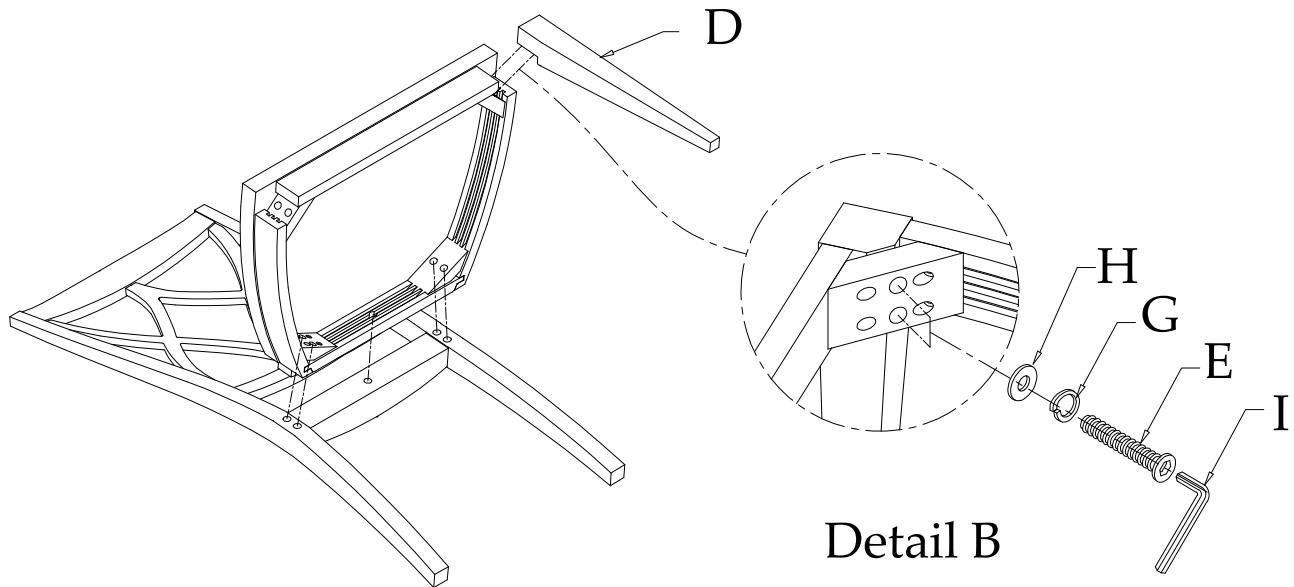
Components and Hardware List

<p>Back Assembly</p>  <p>(A) 1 pc.</p>	<p>Chair Seat</p>  <p>(B) 1 pc.</p>		<p>Front Leg</p>  <p>(D) 2 pcs.</p>	 <p>#59347 Xx Back Side Chair</p>
<p>M5/16"-18 x 2" Long Allen Head Bolt</p>  <p>(E) 5 pcs.</p>	<p>M5/16"-18 x 3" Long Allen Head Bolt</p>  <p>(F) 4 pcs.</p>	<p>5/16" Spring Washer</p>  <p>(G) 9 pcs.</p>	<p>5/16" *19*2mm Flat Washer</p>  <p>(H) 9 pcs.</p>	
<p>5mm Allen Wrench</p>  <p>(I) 1 pc.</p>	<p>Be sure to check all packing material carefully for small parts, which may have come loose inside the carton during shipment.</p>			



Steps:

1. Place the Back Assembly (A) on a soft and smooth surface.
2. Attach Chair Seat (B) to the Back Assembly (A) by using the 3" long Bolt (F) Spring Washer (G) and Flat Washer (H) into the back corners of the Seat and 2" long Bolt (E) Spring Washer (G) and Flat Washer (H) into the middle of the Seat, as shown in (Detail A). **Do not fully tighten Bolts until after next step.**



3. Attach Front Legs (D) to the Chair Seat (B) by using the 2" long Bolts (E) Spring Washer (G) and Flat Washer (H) as shown in **(Detail B)**.
4. Turn the Chair upright on a flat surface to level chair and tighten all Bolts using the Allen Wrench (I).

