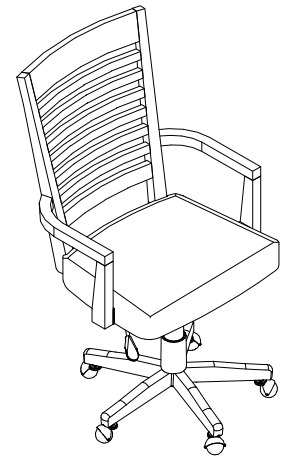


Fresh Perspectives
Home Office
Assembly Instructions

Made in Viet Nam



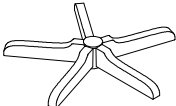




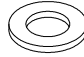

Warning :

- Be sure to check all packing material carefully for small parts, which may have come loose inside the carton during shipment.
- To prevent possible scratches and damage, this furniture **MUST BE ASSEMBLED BY TWO PEOPLE** on a soft surface such as a blanket or carpet.

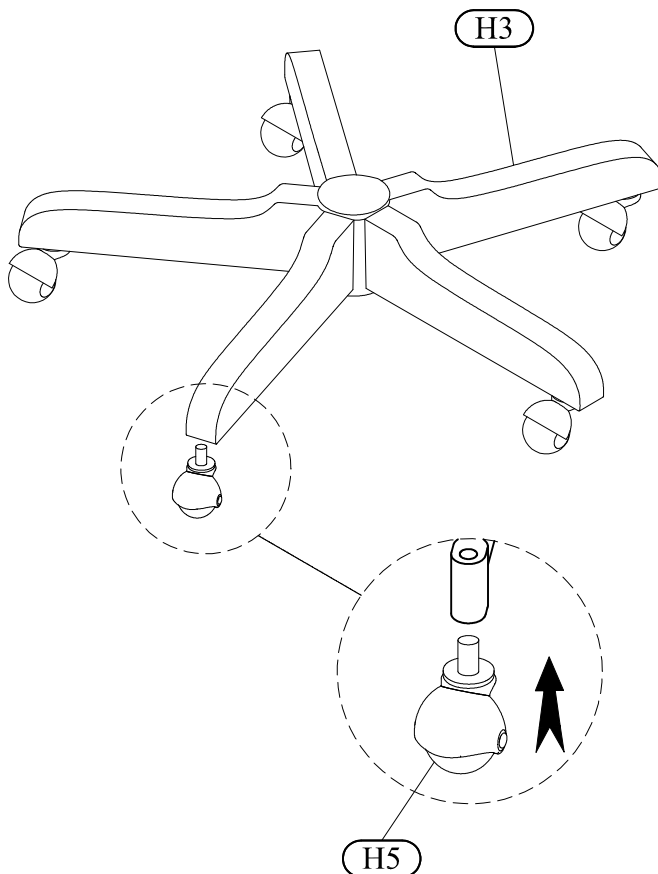


57738-57838
 UPH Desk Chair

Components and Hardware List

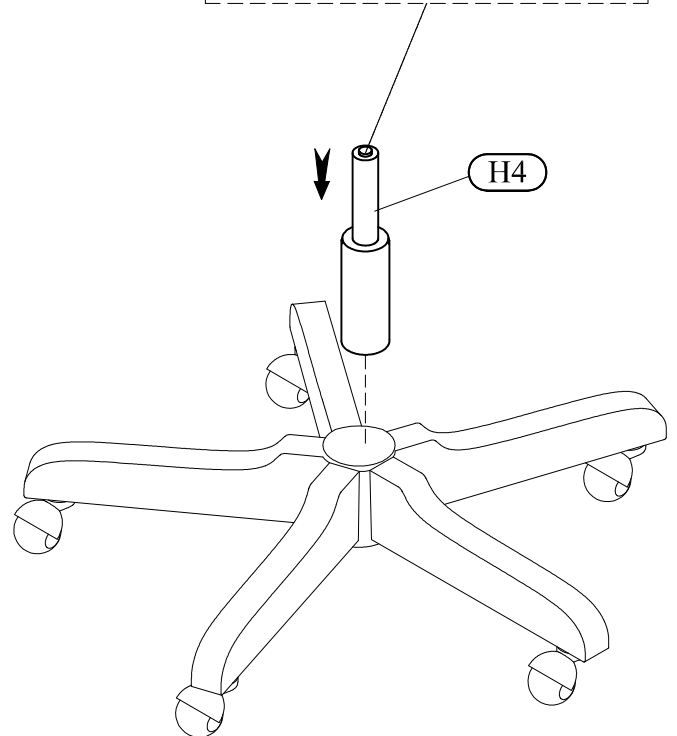
Seat and Back Frame	Seat Control	Cylinder Cover	Pneumatic Cylinder & Cover		
 (H1) 1 pc	 (H2) 1 pc	 (H3) 1 pc	 (H4) 1 pc		
Caster  (H5) 5 pcs	$\text{Ø}5/16'' \times 38\text{mm}$ Allen Bolt  (H6) 4 pcs	$\text{Ø}5/16'' \times \text{Ø}13\text{mm}$ Spring Washer  (H7) 4 pcs	$\text{Ø}5/16'' \times \text{Ø}19\text{mm}$ Flat Washer  (H8) 4 pcs	$\text{M4} \times 2-1/2''$ Allen Key  (H9) 1 pc	

Step 1

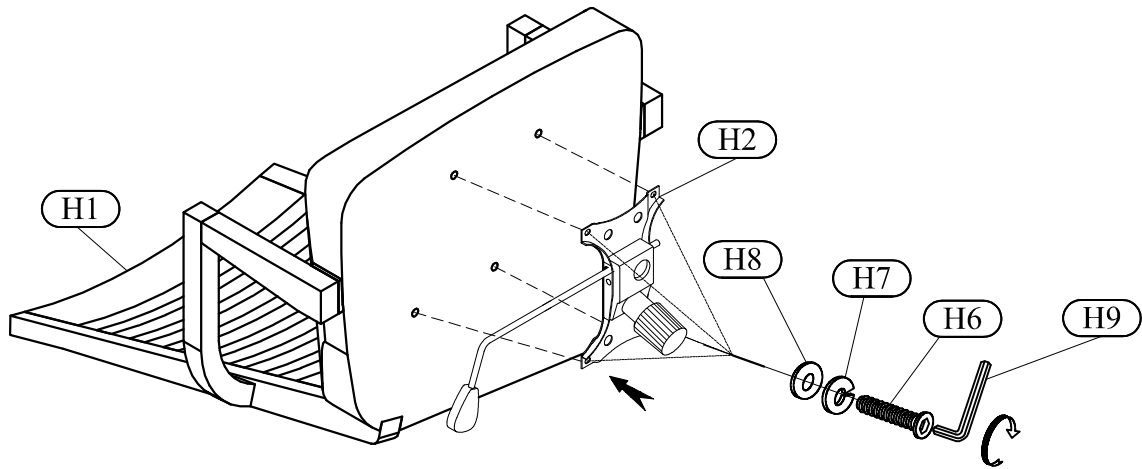


Step 2

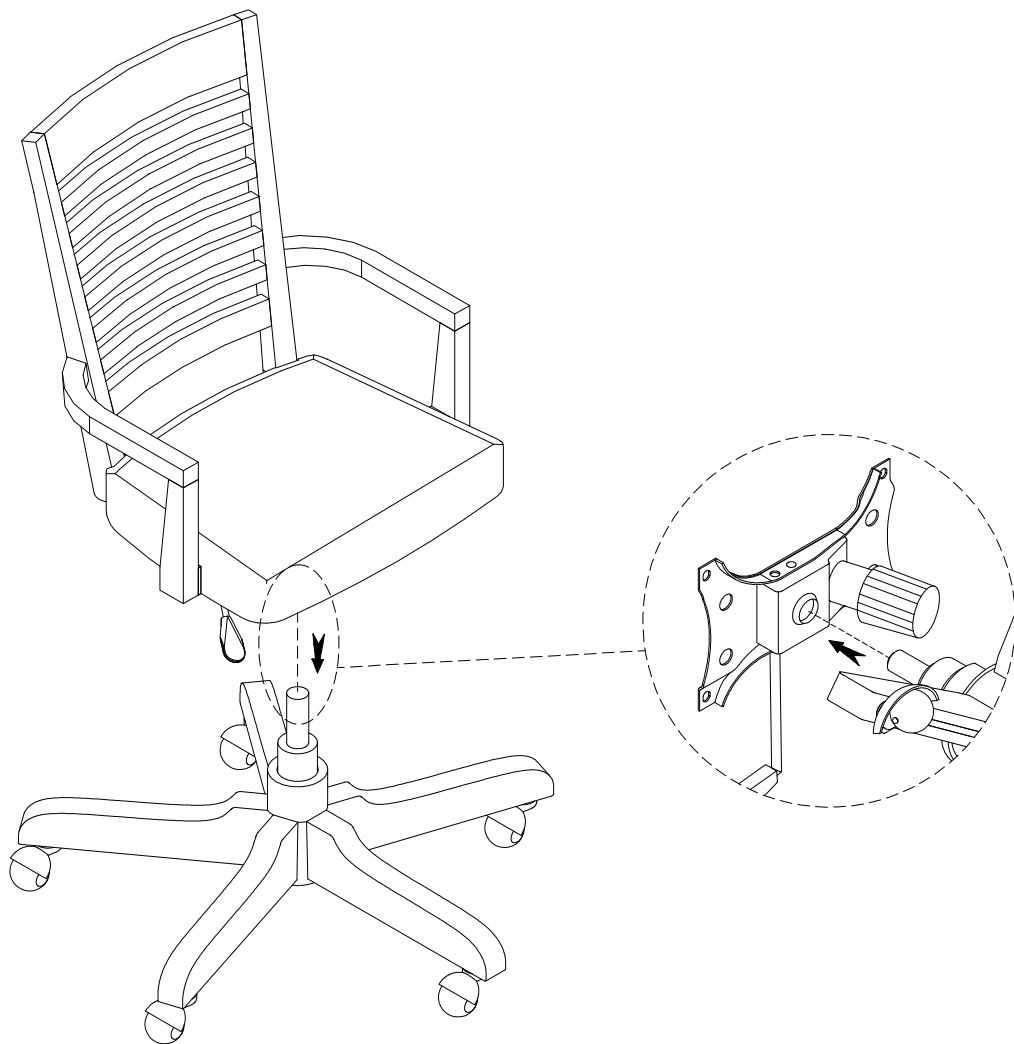
If present, remove the plastic cover from the top end of the cylinder before assembling to seat.



Step 3



Step 4



Note: To prevent possible damage to some types of flooring, never roll casters on unprotected hardwood or vinyl flooring. The lift mechanism is in a locked position for shipping. To unlock, pull straight out on the handle, and then the lift cylinder can be activated by lifting the handle.