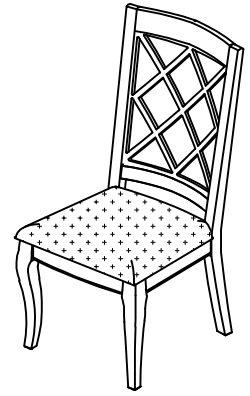


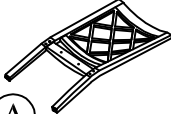

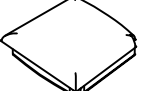
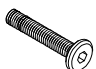
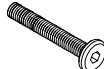
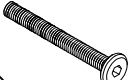



Warning :

- Be sure to check all packing material carefully for small parts, which may have come loose inside the carton during shipment.
- To prevent possible scratches and damage, this furniture must be assembled on a soft surface such as a blanket or carpet.

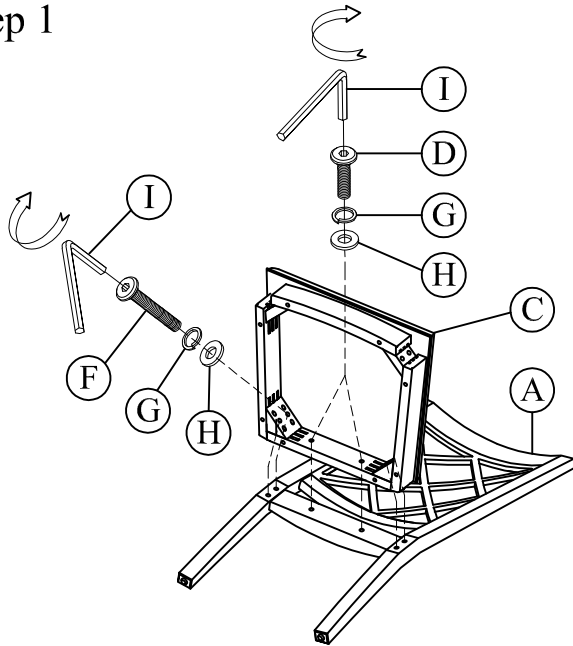


57655
Wood Back
Uph Chair 2in

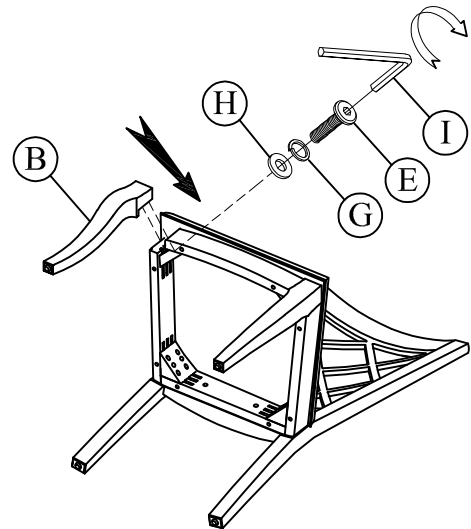
Components and Hardware List

| | | | | |
|--|---|---|--|---|
| <p>Back frame</p>  <p>(A) 1 pc.</p> | <p>Front Leg</p>  <p>(B) 2 pcs.</p> | <p>Seat cushion</p>  <p>(C) 1 pc.</p> | <p>Allen Head Bolt Ø5/16" x 18 x 2"</p>  <p>(D) 2 pcs.</p> | <p>Allen Head Bolt Ø5/16" x 18 x 2-3/8"</p>  <p>(E) 4 pcs.</p> |
| <p>Allen Head Bolt Ø5/16" x 18 x 3-1/8"</p>  <p>(F) 4 pcs.</p> | <p>Spring Washer Ø5/16" x Ø14</p>  <p>(G) 10 pcs.</p> | <p>Flat Washer Ø5/16" x Ø18</p>  <p>(H) 10 pcs.</p> | <p>4mm Allen Key</p>  <p>(I) 1 pc.</p> | |

Step 1



Step 2



COMPLETE

