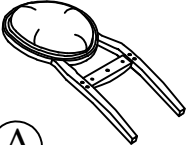
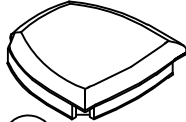

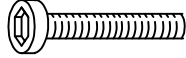
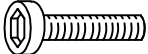
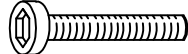


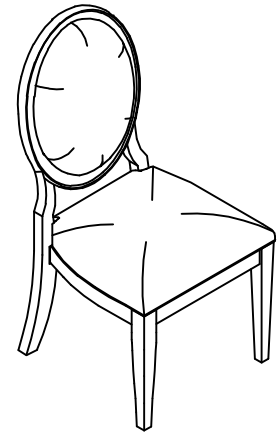
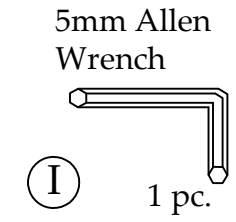


Components and Hardware List (for one chair)

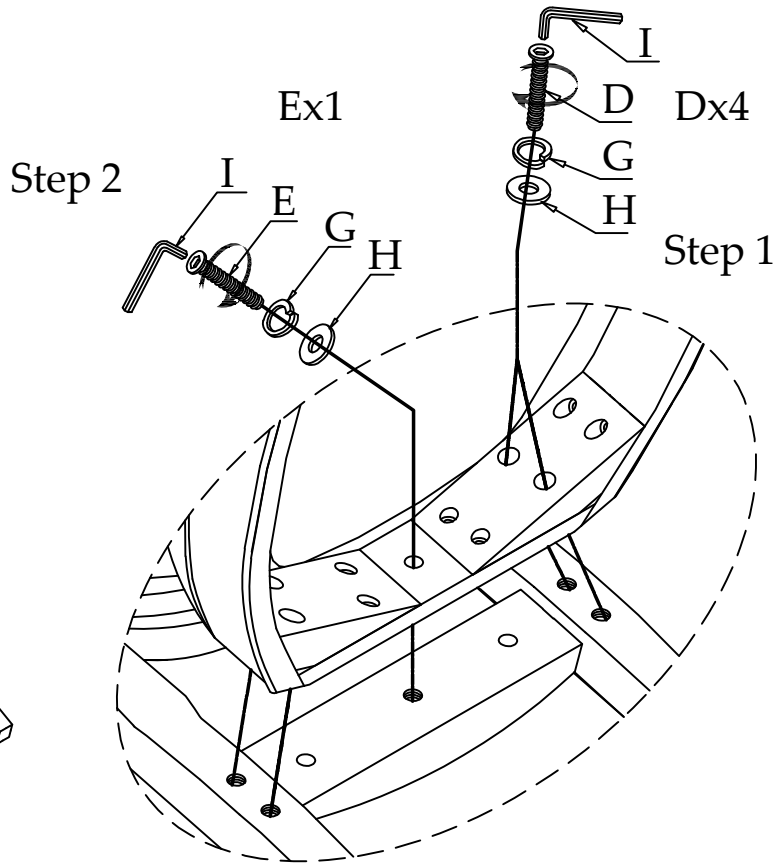
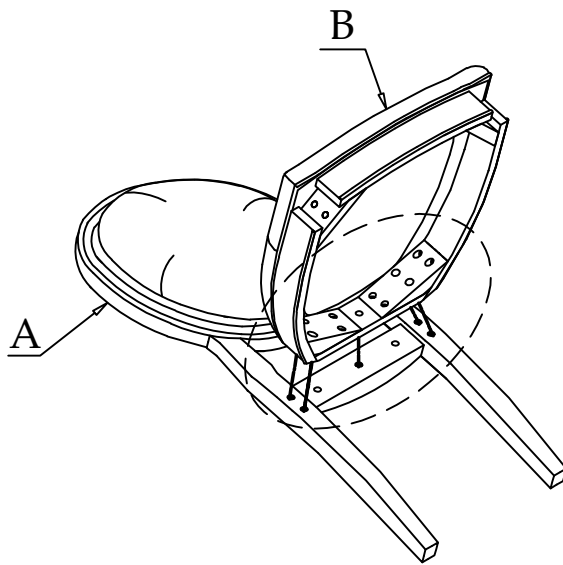
<p>Chair Back</p>  <p>(A) 1 pc.</p>	<p>Chair Seat</p>  <p>(B) 1 pc.</p>	<p>Front Leg</p>  <p>(C) 2 pcs.</p>	<p>5/16" - 18 x 3" Allen Head Bolt</p>  <p>(D) 4 pcs.</p>
<p>5/16" - 18 x 1 3/4" Allen Head Bolt</p>  <p>(E) 1 pc.</p>	<p>5/16" - 18 x 2 1/4" Allen Head Bolt</p>  <p>(F) 4 pcs.</p>	<p>5/16" Spring Washer</p>  <p>(G) 9 pcs.</p>	<p>5/16" x 19mm x 2mm Flat Washer</p>  <p>(H) 9 pcs.</p>



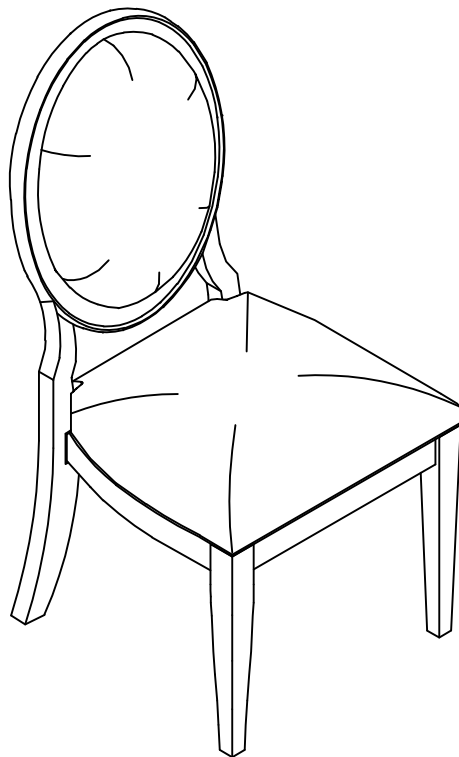
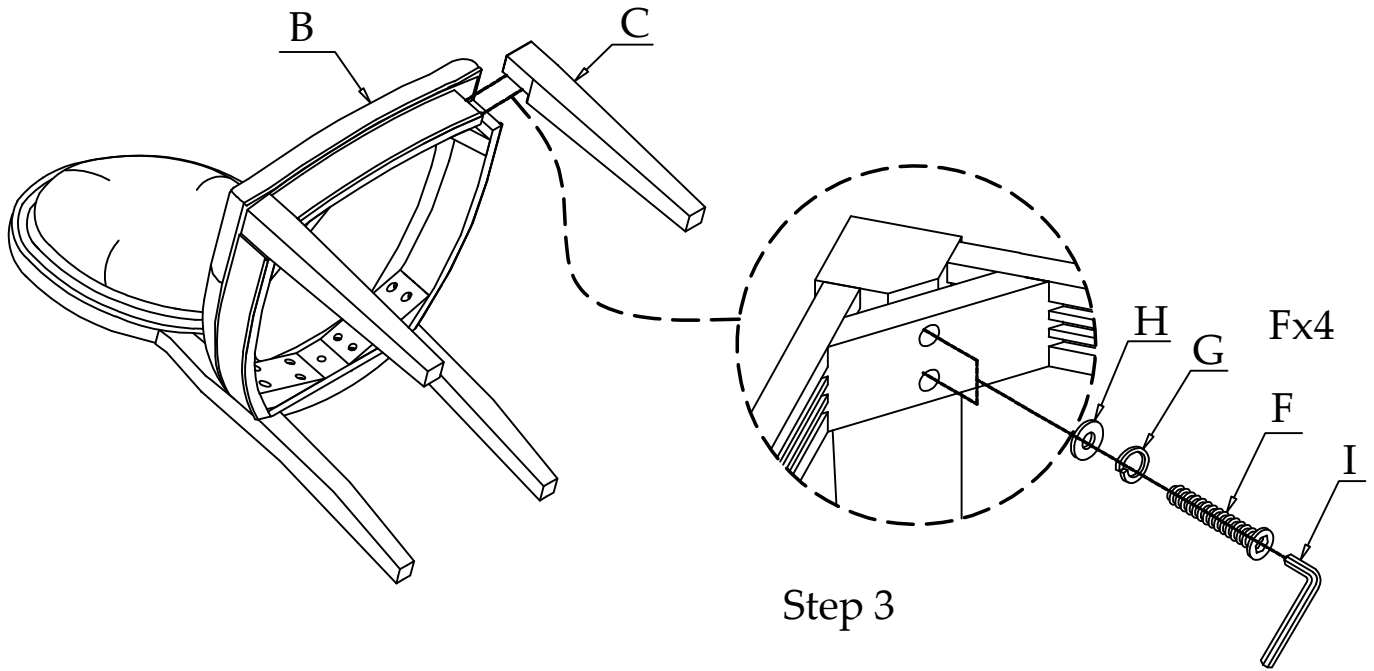
#54957
Uph Oval Side Chair



Be sure to check all packing material carefully for small parts, which may have come loose inside the carton during shipment. Separate and check all parts against the Components and Hardware List above.



Do not fully tighten the bolts until the complete chair has been assembled. Once the complete chair is assembled, set it upright on a flat surface to level the chair. Using the provided Allen Wrench, tighten all the bolts.



Completed Chair