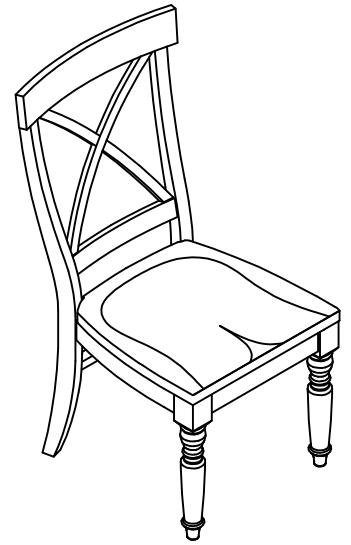


**Warning:**


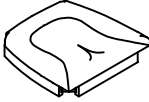

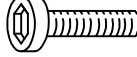
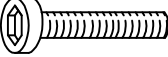
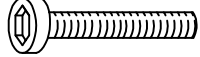


- Be sure to check all packing material carefully for small parts, which may have come loose inside the carton during shipment.
- To prevent possible scratches and damage, this furniture must be assembled on a soft surface such as a blanket or carpet.




#54955

X-Back Side Chair 2in

**Components and Hardware List**

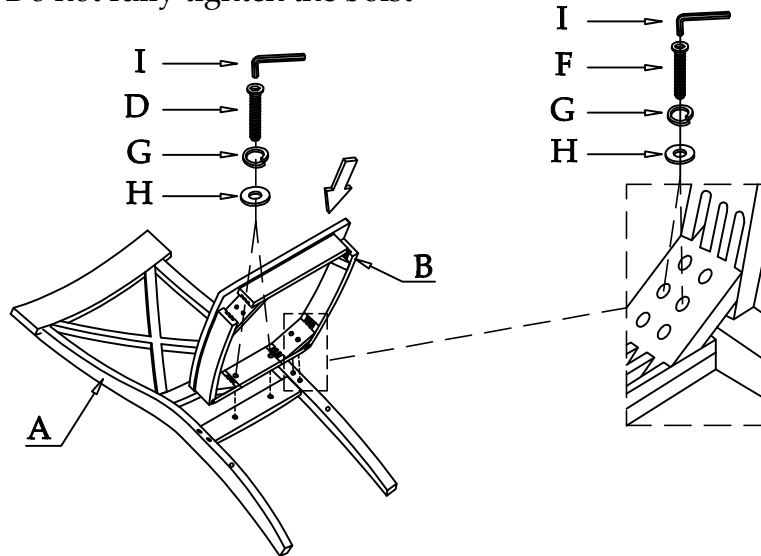
<p>Chair Back</p>  <p><b>A</b> 1PC</p>	<p>Chair Seat</p>  <p><b>B</b> 1PC</p>	<p>Leg</p>  <p><b>C</b> 2PCS</p>	<p>5/16" - 1 1/2" Allen Head Bolt</p>  <p><b>D</b> 2PCS</p>
<p>5/16" - 2 1/4" Allen Head Bolt</p>  <p><b>E</b> 4PCS</p>	<p>5/16" - 3 1/4" Allen Head Bolt</p>  <p><b>F</b> 4PCS</p>	<p>5/16"x12 x 3 Spring Washer</p>  <p><b>G</b> 10PCS</p>	<p>5/16" x 19 x 2 Flat Washer</p>  <p><b>H</b> 10PCS</p>

5mm Allen key

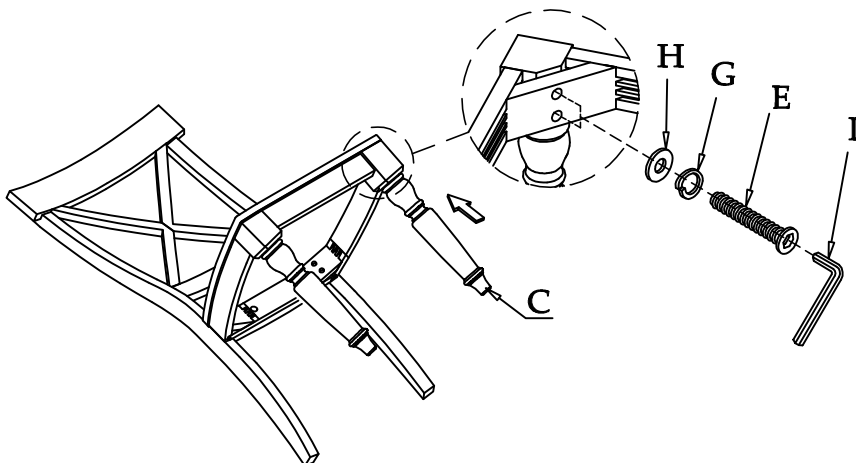


**I** 1PC

Step 1: Do not fully tighten the bolst



Step 2: Using the Allen Key to tighten all bolts



Complete

