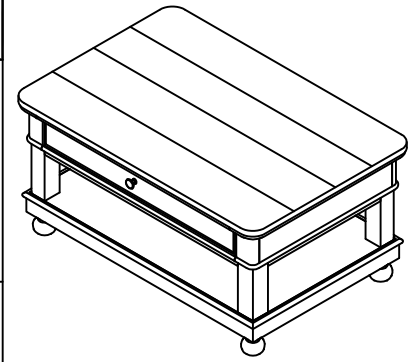


Components and Hardware List



52802/52902
Small Cocktail Table

| | | | |
|---|--|---|--|
| <p>Table Top</p> <p>(A) 1 pc.</p> | <p>Bottom Frame</p> <p>(B) 1 pc.</p> | <p>End Assembly</p> <p>(C) 2 pc.</p> | <p>Bun Foot</p> <p>(D) 4 pcs.</p> |
| <p>Ø5/16 x 1-1/2" Allen Head Bolt</p> <p>(E) 8 pcs.</p> | <p>5/16" Spring Washer</p> <p>(F) 8 pcs.</p> | <p>5/16" x 18 x 2mm Flat Washer</p> <p>(G) 8 pcs.</p> | <p>4mm Allen Wrench</p> <p>(H) 1 pc.</p> |
| <p>Caster</p> <p>(I) 4 pcs.</p> | <p>16 mm Open Wrench</p> <p>(J) 1 pc.</p> | <p>Be sure to check all packing material carefully for small parts, which may have come loose inside the carton during shipment.</p> <p>To prevent possible scratches and damage, this furniture should be assembled on a soft surface such as a blanket or carpet.</p> | |

