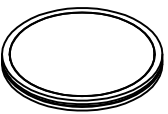
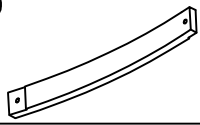

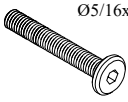

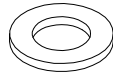

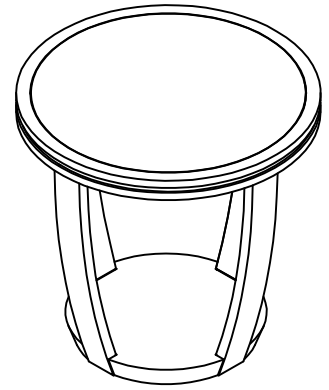


**Components and Hardware List**

<p><b>A</b></p>  <p>TOP 1 pcs.</p>	<p><b>B</b></p>  <p>LEG 4 pcs.</p>	<p><b>C</b></p>  <p>LOWER FRAME 1 pc.</p>
<p><b>D</b></p>  <p>Allen head bolt Ø5/16xL1-1/4"(Ø14) 16 pcs.</p>	<p><b>E</b></p>  <p>Lock Washer Ø5/16xØ14x1mm 16 pcs.</p>	<p><b>F</b></p>  <p>Flat Washer Ø5/16xØ18x1.5mm 16 pcs.</p>
<p><b>G</b></p>  <p>Allen key 5mm 1 pc.</p>		

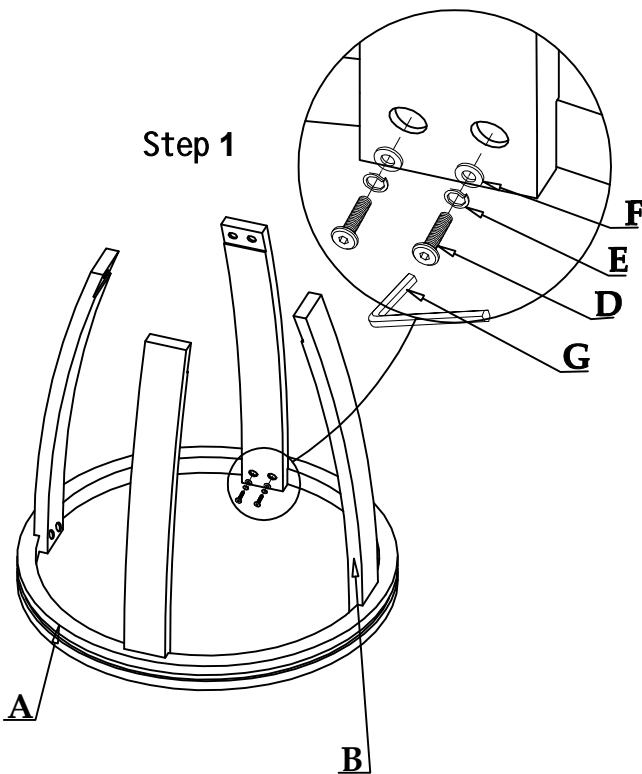


**52308**  
**ROUND END TABLE**

Be sure to check all packing material carefully for small parts, which may have come loose inside the carton during shipment.

Please note: Do not tighten the bolts until the table is completely assembled and then tighten all of the bolts.

**Step 1**



**Step 2**

