

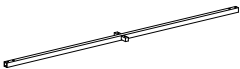
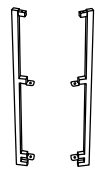
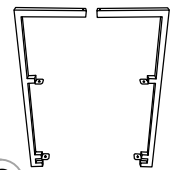
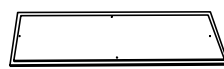
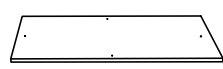
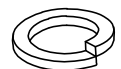




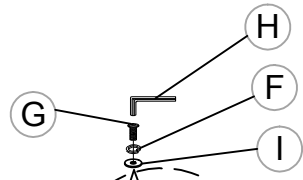
51215

Console Table

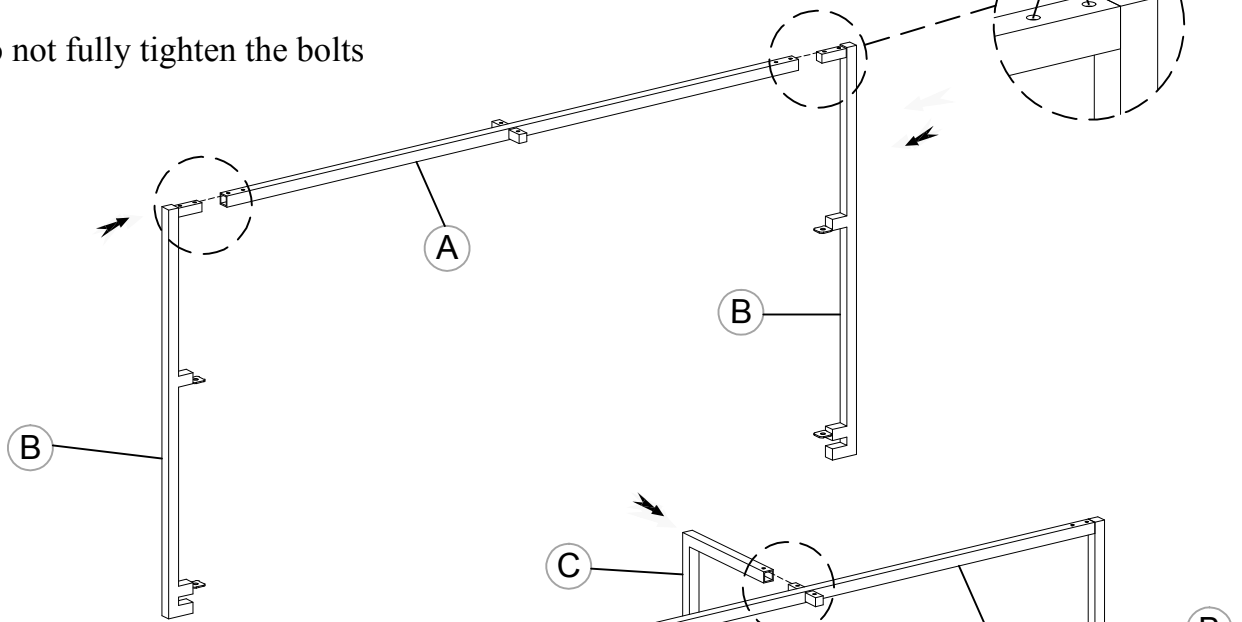
Warning :

- Be sure to check all packing material carefully for small parts, which may have come loose inside the carton during shipment.
- To prevent possible scratches and damage, this furniture **MUST BE ASSEMBLED BY TWO PEOPLE** on a soft surface such as a blanket or carpet.

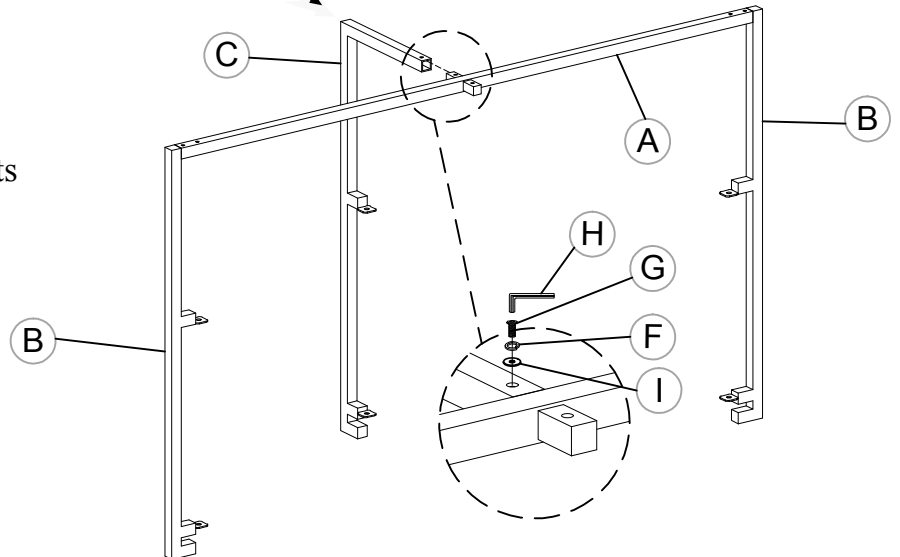
Components and Hardware List

| | | | | | |
|--|--|--|--|---|--|
| <p>Bottom Stretcher</p>  <p>(A) 1 pc.</p> | <p>End Leg</p>  <p>(B) 2 pcs.</p> | <p>Front Leg</p>  <p>(C) 2 pcs.</p> | <p>Marble Top</p>  <p>(D) 1 pc.</p> | <p>Wood Shelf</p>  <p>(E) 1 pc.</p> | <p>Lock Washer 11x11x2mm</p>  <p>(F) 14 pcs.</p> |
| <p>Allen Bolt 11x11x16mm</p>  <p>(G) 14 pcs.</p> | <p>Allen Key 70x26x4mm</p>  <p>(H) 1 pc.</p> | <p>Flat Washer Ø 5/16" (8mm)</p>  <p>(I) 14 pcs.</p> | <p>Furniture Tipping Restrain Kit</p>  <p>(J) 1 pc.</p> |  | |

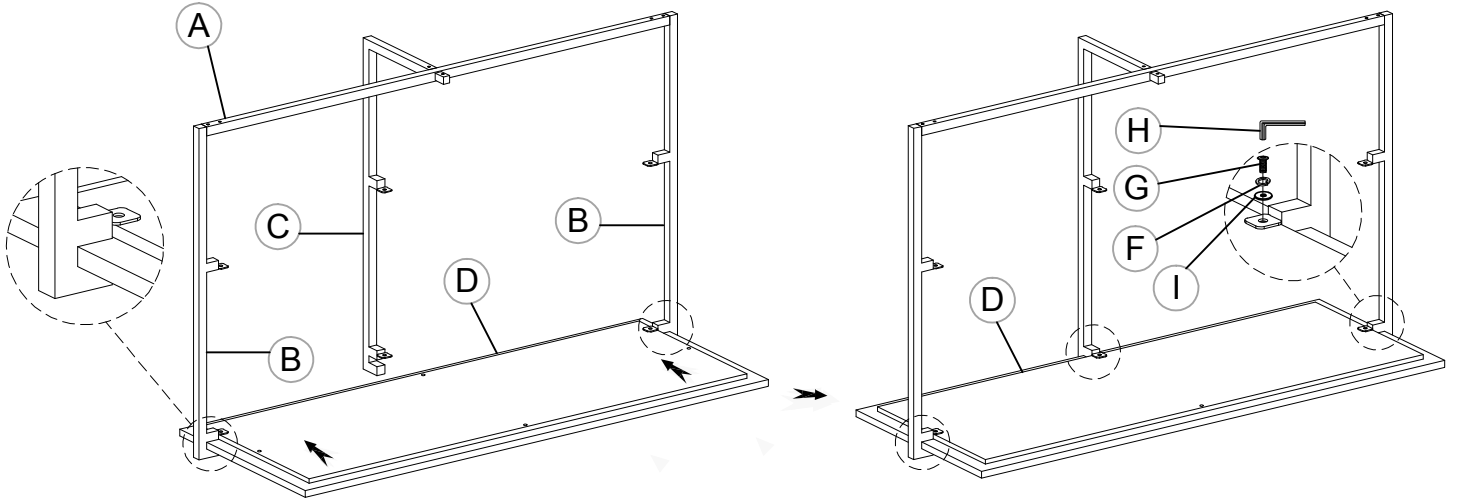
Step 1: Do not fully tighten the bolts



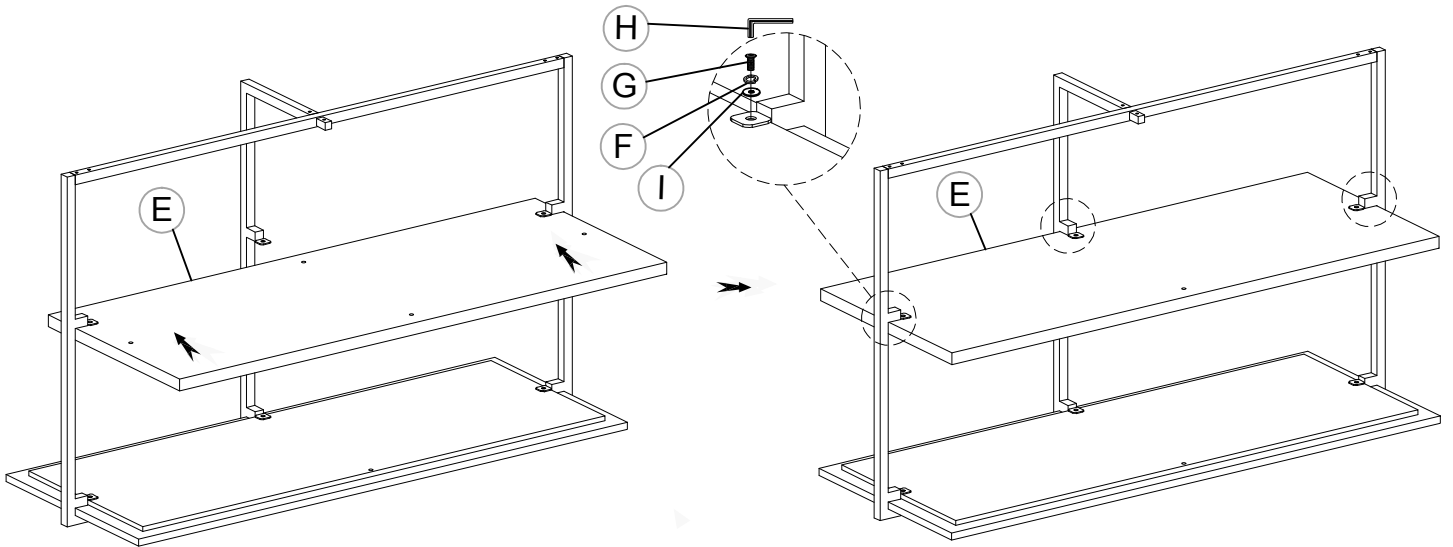
Step 2: Do not fully tighten the bolts



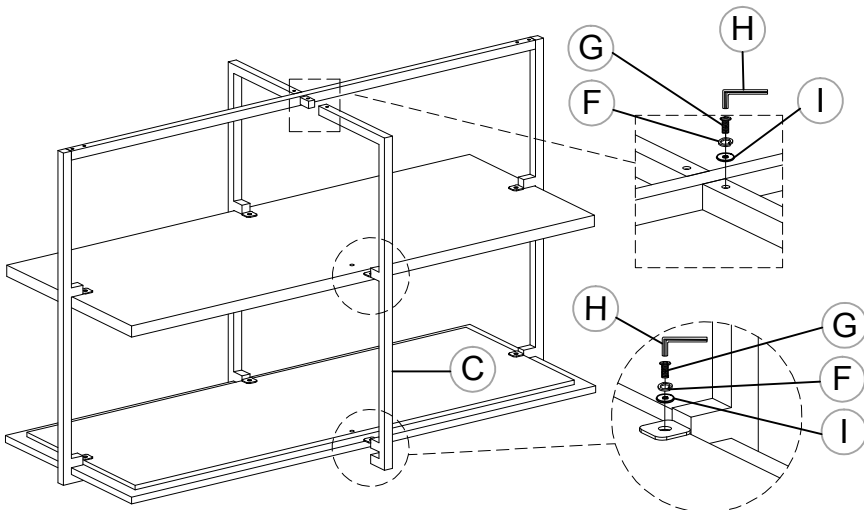
Step 3: Slide marble top into the top position (Do not fully tighten the bolts)



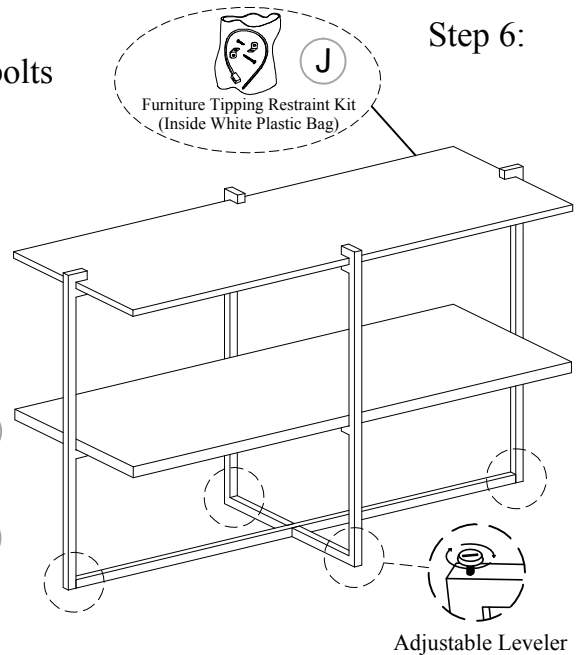
Step 4: Slide wood shelf into the bottom position (Do not fully tighten the bolts)



Step 5: Do align the legs then use the Allen key to tighten all bolts



Step 6:



For product and personal safety, a furniture tipping kit has been included with this unit which can help to minimize the risk of the unit accidentally tipping forward, if used and properly installed per the kit manufacturer's instructions.

Polished Marble

Marble contains natural veins along with color variations as parts of their formation process during millions of years. These characteristics are not considered defects as they enhance the look and the uniqueness of the item. Different marble tops will have distinctive veins, markings and color variations that are unique to each piece. No two pieces are alike.

Marble like any rock is a hard element, though its surface is still porous and might stain from liquids or foods, scratched and chipped, if proper care is not taken.

To protect from acidic substances such as wine, coffee, fruit juice and tomato sauce, and to avoid any ring marks, use coasters or trivets under glasses and dishes; use mats or runners beneath hard objects that may scratch the surface.

Do not place hot items directly on the tabletop.

Do not use chemical cleaners, dusting sprays, abrasive cleaners or furniture polish.

Dust off frequently with a soft and dry cloth.