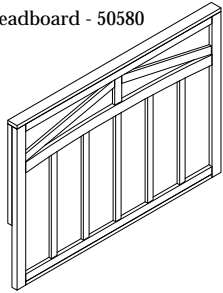
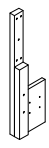
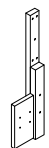
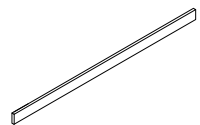
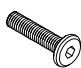
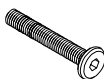

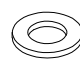
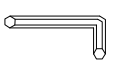


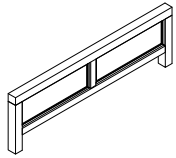
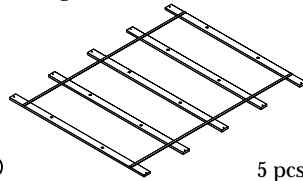

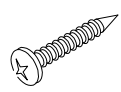
Warning :

- Be sure to check all packing material carefully for small parts, which may have come loose inside the carton during shipment.
- To prevent possible scratches and damage, this furniture **MUST BE ASSEMBLED BY TWO PEOPLE** on a soft surface such as a blanket or carpet.

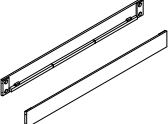
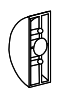
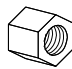


Hardware and Parts packed with the Headboard

<p>Panel Headboard - 50580</p>  <p>(H-A) 1 pc.</p>	<p>Headboard Post Right</p>  <p>(H-B) 1 pc.</p>	<p>Headboard Post Left</p>  <p>(H-C) 1 pc.</p>	<p>Headboard Stretcher</p>  <p>(H-D) 1 pc.</p>	
<p>Allen Head Bolt Ø5/16" - 18 x 1-5/8"</p>  <p>(H-E) 2 pcs.</p>	<p>Headboard Post (Left)</p>  <p>(H-F) 10 pcs.</p>	<p>Washer</p>  <p>(H-G) 12 pcs.</p>	<p>Headboard Post (Right)</p>  <p>(H-H) 12 pcs.</p>	 <p>(H-I) 11 pcs.</p>

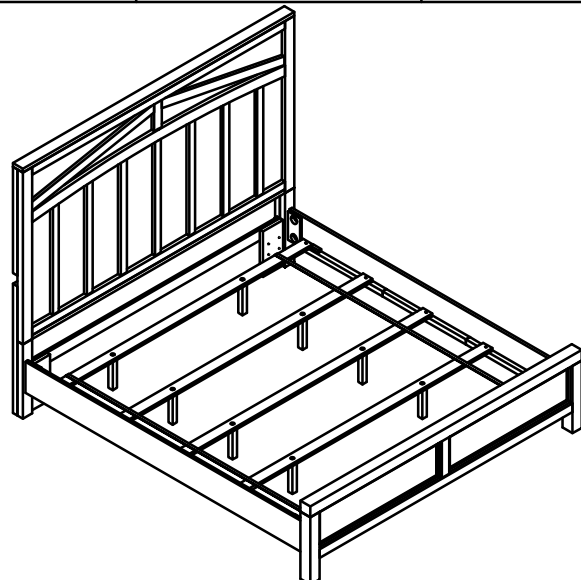
Hardware and Parts packed with the Footboard

<p>Panel Footboard - 50581</p>  <p>(F-A) 1 pc.</p>	<p>Slats (77" long)</p>  <p>(F-B) 5 pcs.</p>	<p>Support leg (7-7/8" x 1-1/4" x 1-1/4")</p>  <p>(F-C) 10 pcs.</p>	<p>Wood Screw Ø4 x 30 (mm)</p>  <p>(F-D) 10 pcs.</p>
---------------------------------------------------------------------------------------------------------------------------------------	---------------------------------------------------------------------------------------------------------------------------------	--------------------------------------------------------------------------------------------------------------------------------------------------------------	-----------------------------------------------------------------------------------------------------------------------------------------------

Hardware and Parts packed with the Bed Rails

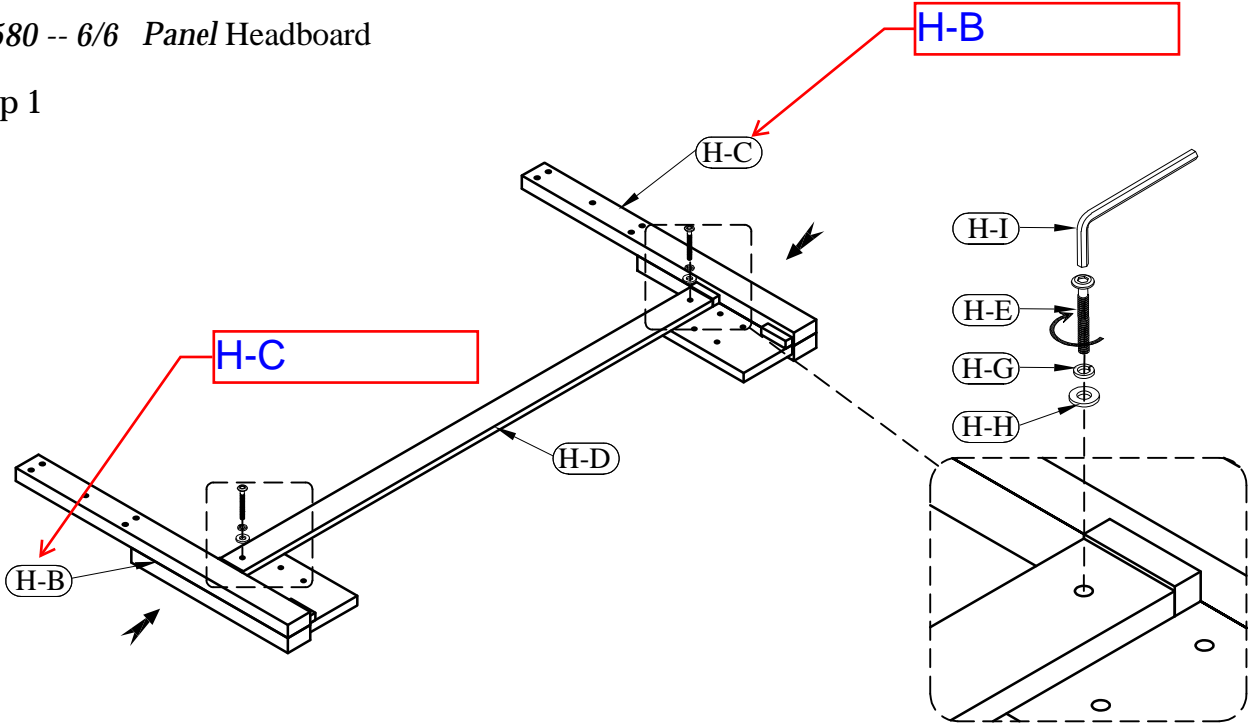
<p>50572 - Bed Rails</p>  <p>(R-A) 2 pcs.</p>	<p>Ø5/16" Curved Washer</p>  <p>(R-B) 8 pcs.</p>	<p>Ø5/16" x 17mm Nut</p>  <p>(R-C) 16 pcs.</p>	<p>Ø5/16" - 18 x 3- 1/8" Long Bolt</p>  <p>(R-D) 16 pcs.</p>	<p>12 mm Open Wrench</p>  <p>(R-E) 1 pc.</p>
----------------------------------------------------------------------------------------------------------------------------------	-------------------------------------------------------------------------------------------------------------------------------------	-----------------------------------------------------------------------------------------------------------------------------------	--------------------------------------------------------------------------------------------------------------------------------------------------	-----------------------------------------------------------------------------------------------------------------------------------

6/0-6/6 King Panel Bed
50680 -- 6/6 Panel Headboard
50581 -- 6/6 Panel Footboard
50572 -- 5/0-6/6 Side Rails

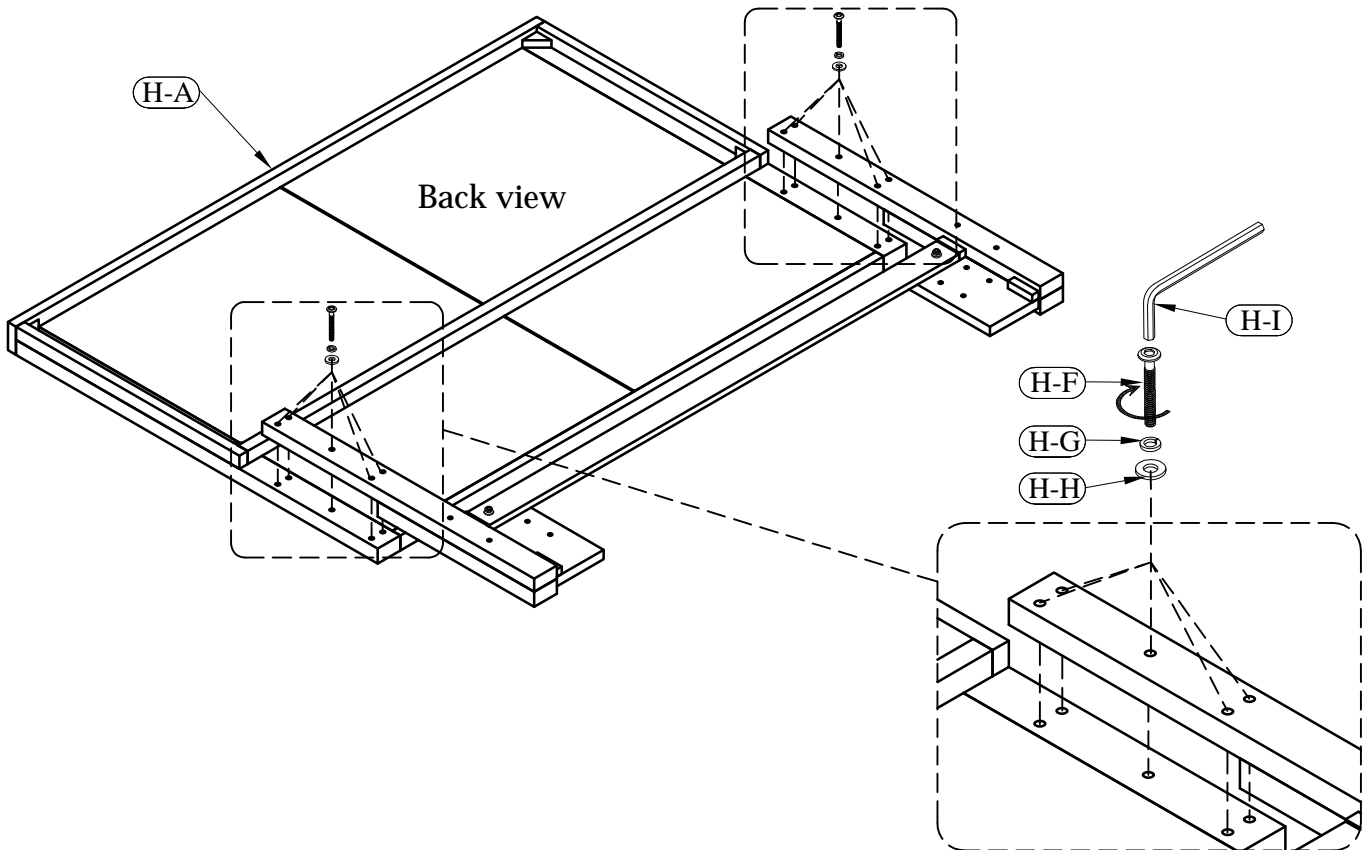


50580 -- 6/6 Panel Headboard

Step 1



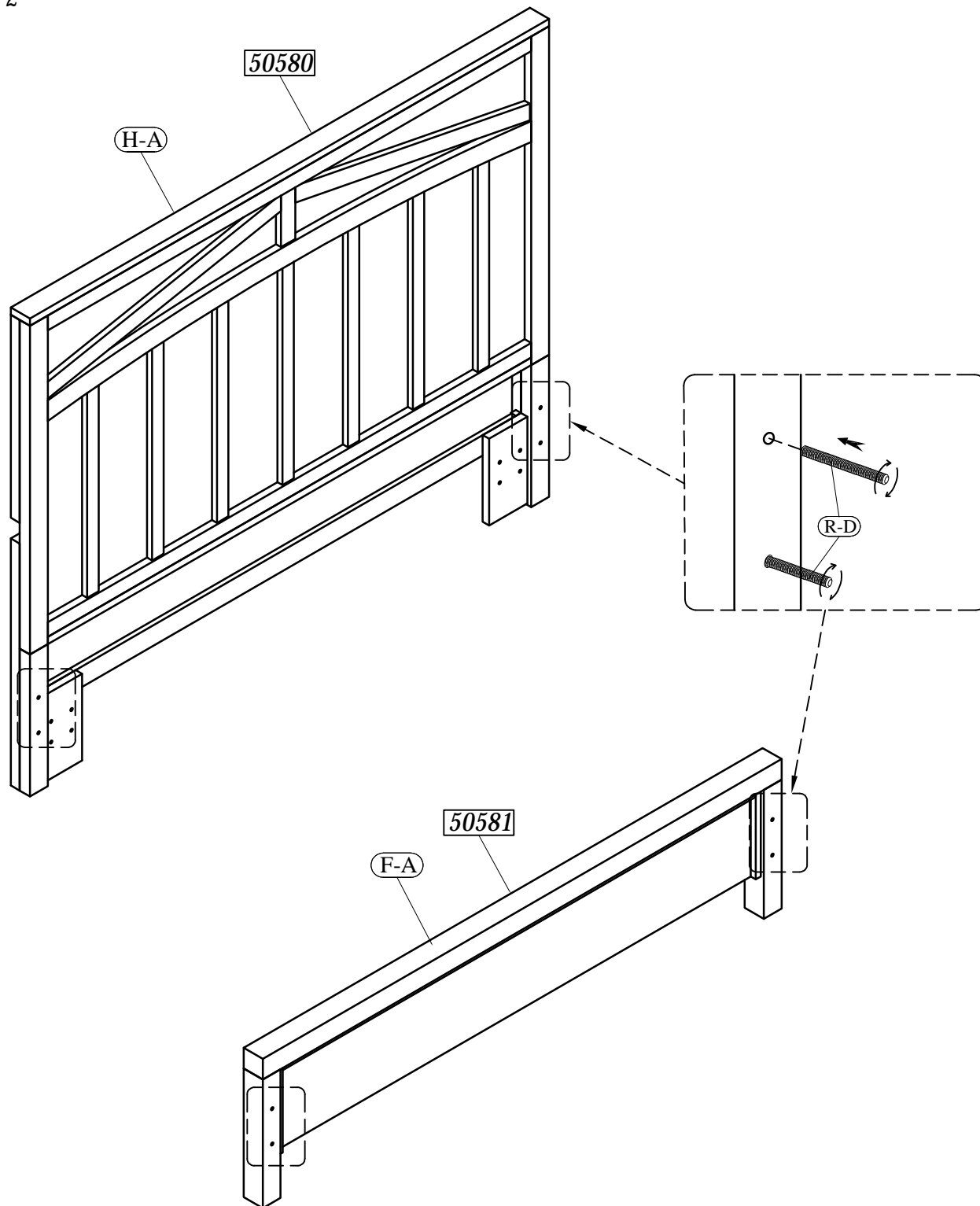
Step 2



50580 -- 6/6 Panel Headboard

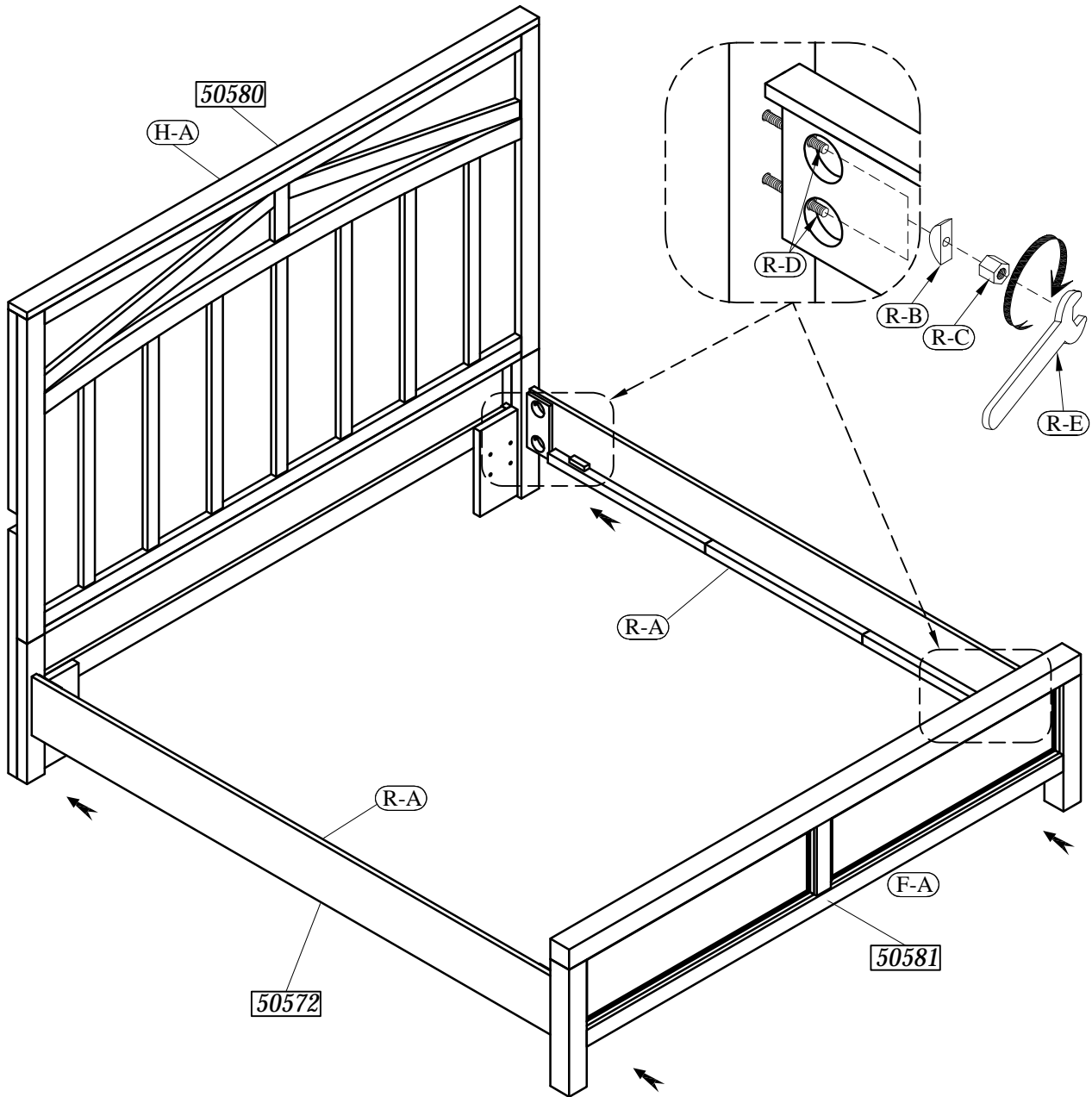
50581 -- 6/6 Panel Footboard

Step 2

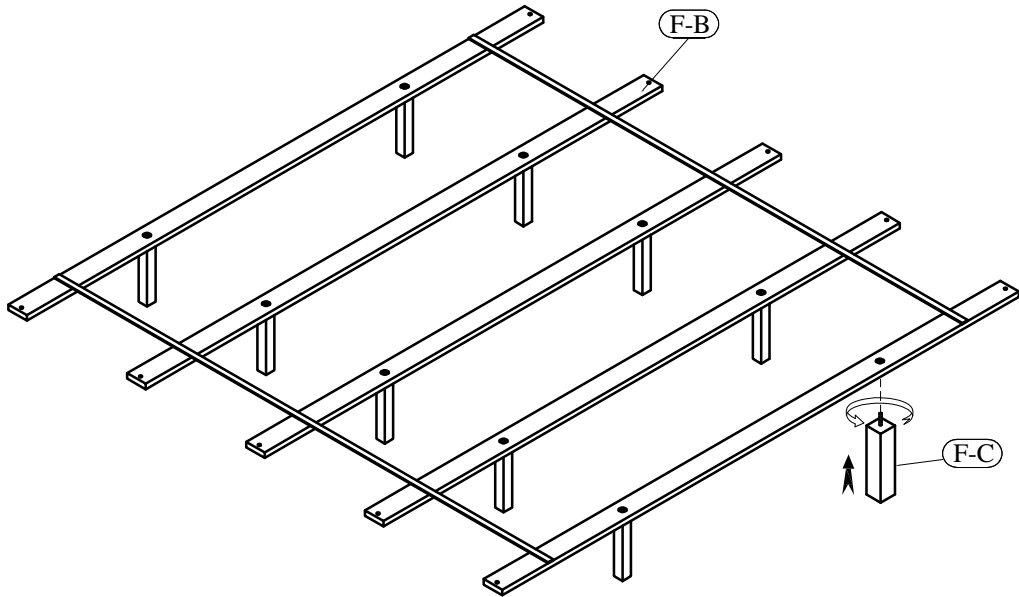


- 50680 -- 6/6 Panel Headboard
- 50581 -- 6/6 Panel Footboard
- 50572 -- 5/0-6/6 Side Rails

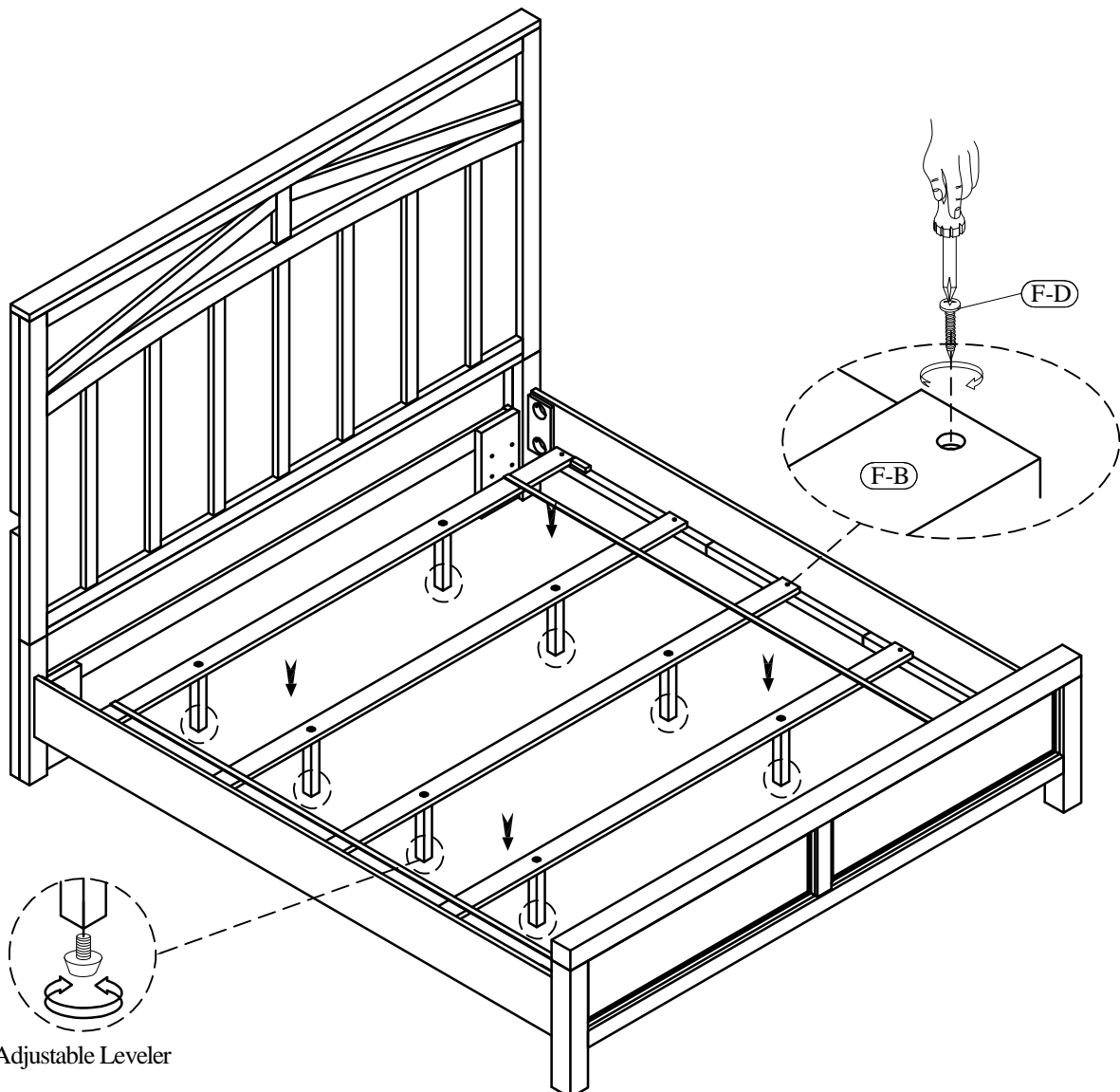
Step 3



Step 4

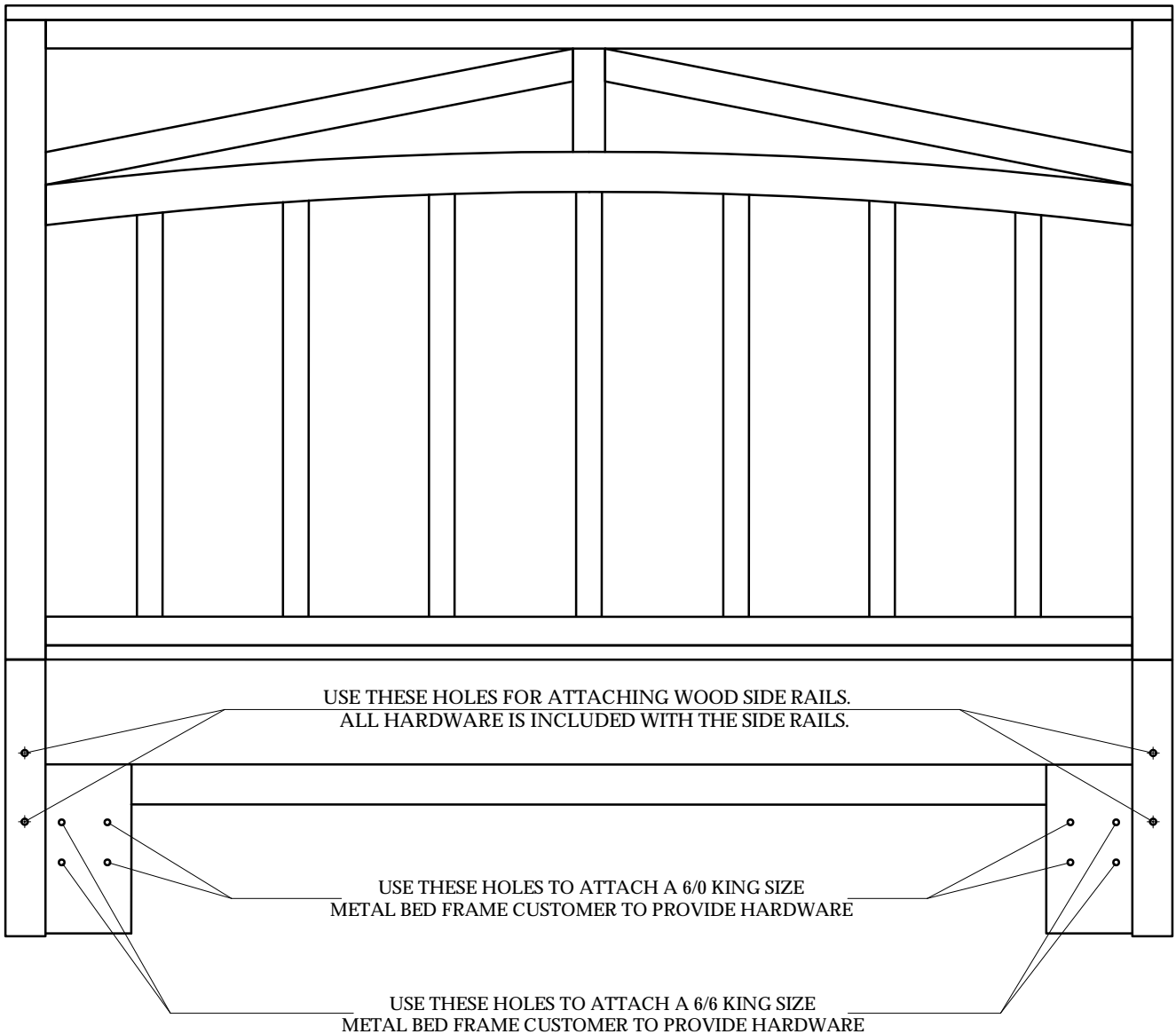


Step 5



Adjustable Leveler

6/0- 6/6 King Panel Bed
50580 -- 6/6 Panel Headboard



The headboard may be used alone with a Eastern King or California King size metal bed frame.