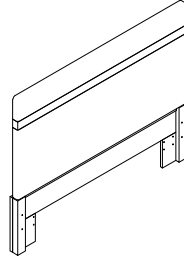


**Warning :**

- Be sure to check all packing material carefully for small parts, which may have come loose inside the carton during shipment.
- To prevent possible scratches and damage, this furniture **MUST BE ASSEMBLED BY TWO PEOPLE** on a soft surface such as a blanket or carpet.

**Hardware and Parts packed with the Headboard**

Uph Headboard - 50574

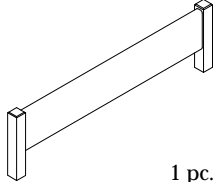


(H-A)

1 pc.

**Hardware and Parts packed with the Footboard**

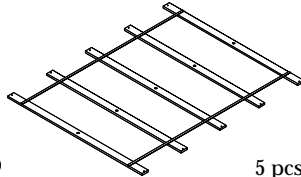
Uph Footboard - 50575



(F-A)

1 pc.

Slats (61-3/16" long)



(F-B)

5 pcs.

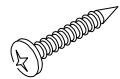
Support leg  
(7-7/8" x 1-1/4" x 1-1/4")



(F-C)

5 pcs.

Wood Screw  
Ø4 x 30 (mm)

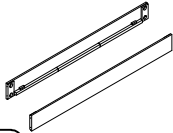


(F-D)

10 pcs.

**Hardware and Parts packed with the Bed Rails**

50572 - Bed Rails



(R-A)

2 pcs.

Ø5/16" Curved Washer



(R-B)

8 pcs.

Ø5/16" x 17mm Nut



(R-C)

16 pcs.

Ø5/16" - 18 x 3-1/8" Long Bolt



(R-D)

16 pcs.

12 mm Open Wrench



(R-E)

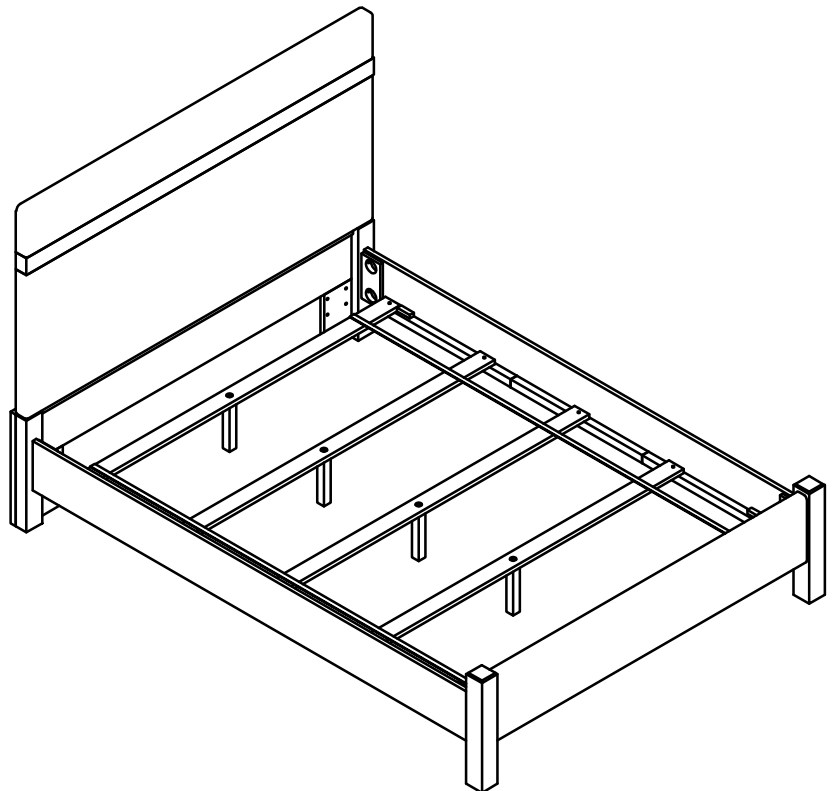
1 pc.

**5/0 Queen Uph Bed**

50574 -- 5/0 Uph Headboard

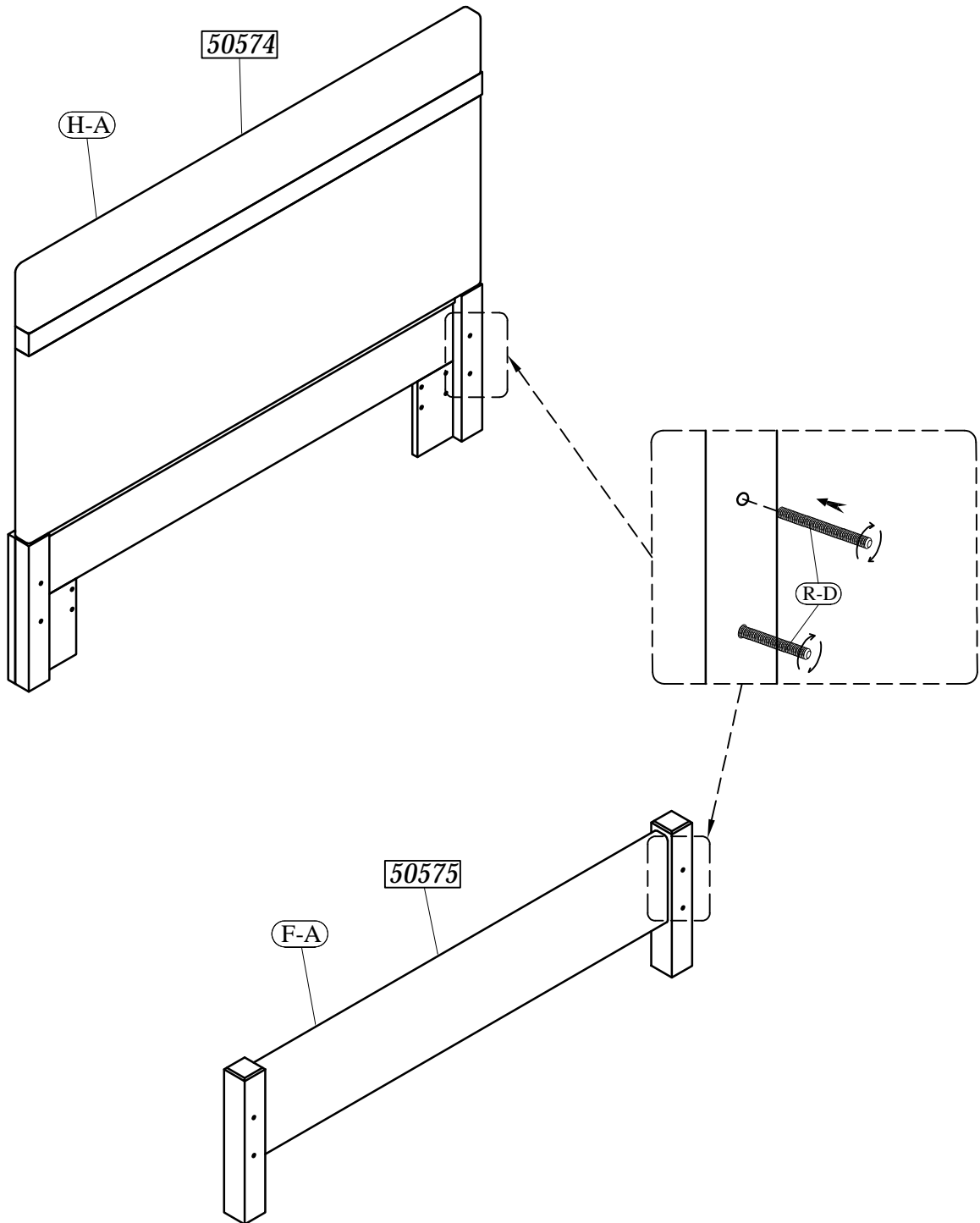
50575 -- 5/0 Uph Footboard

50572 -- 5/0-6/6 Side Rails



50574 -- 5/0 Uph Headboard  
50575 -- 5/0 Uph Footboard

Step 1

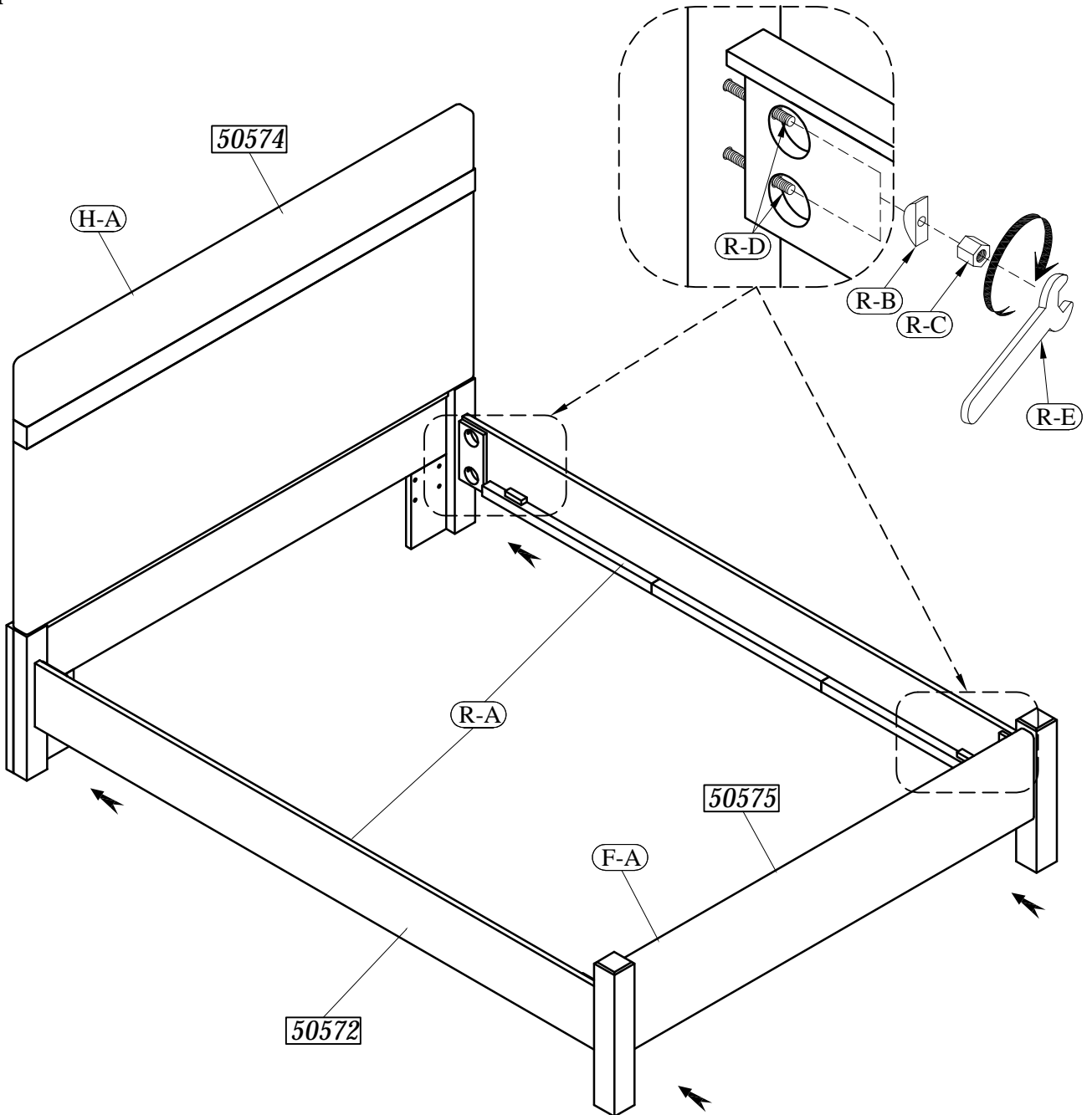


50574 -- 5/0 Uph Headboard

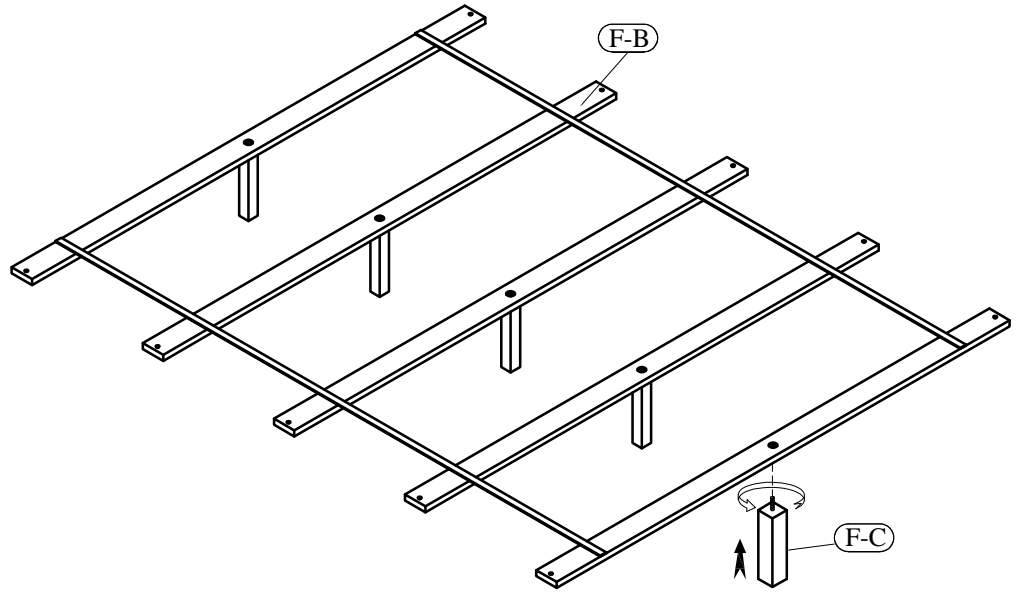
50575 -- 5/0 Uph Footboard

50572 -- 5/0-6/6 Side Rails

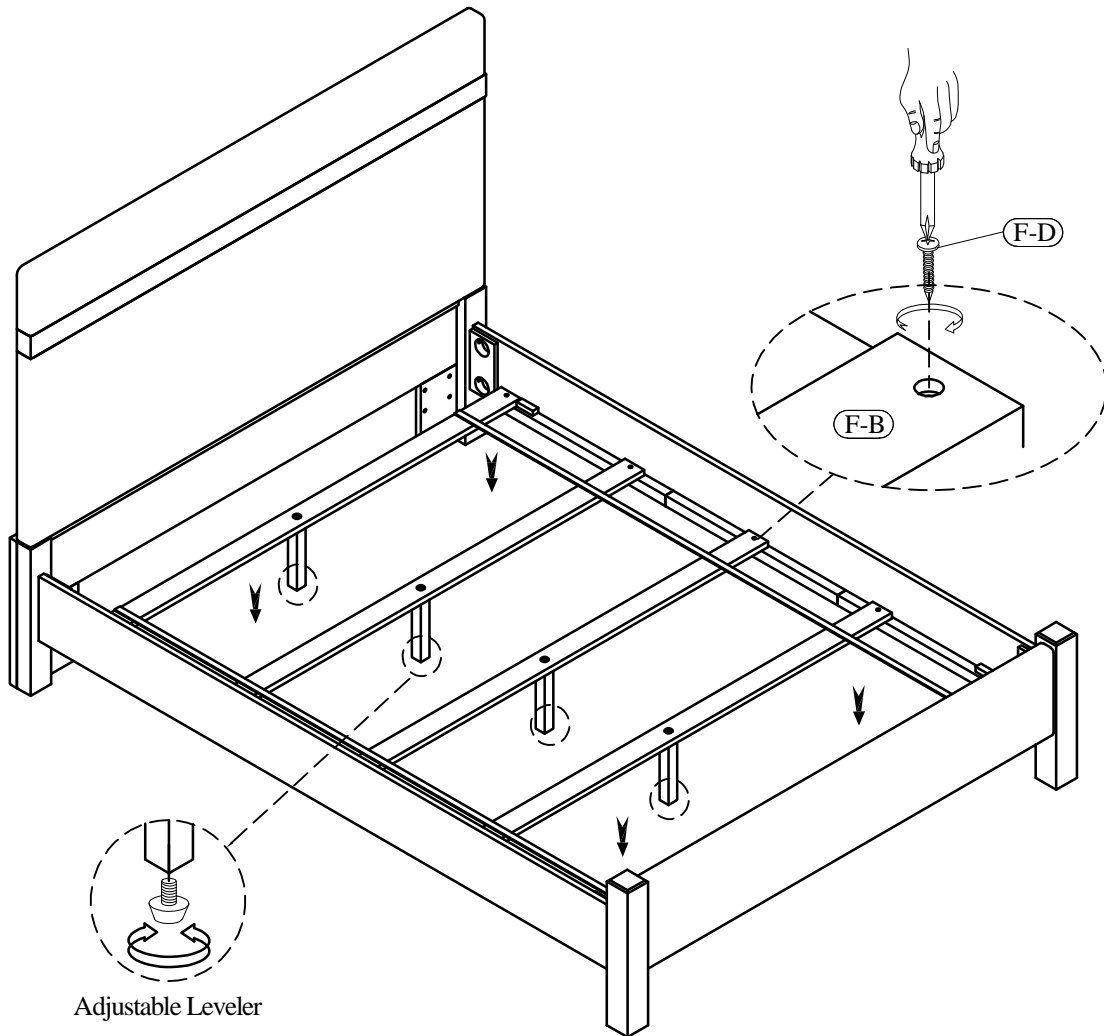
Step 2



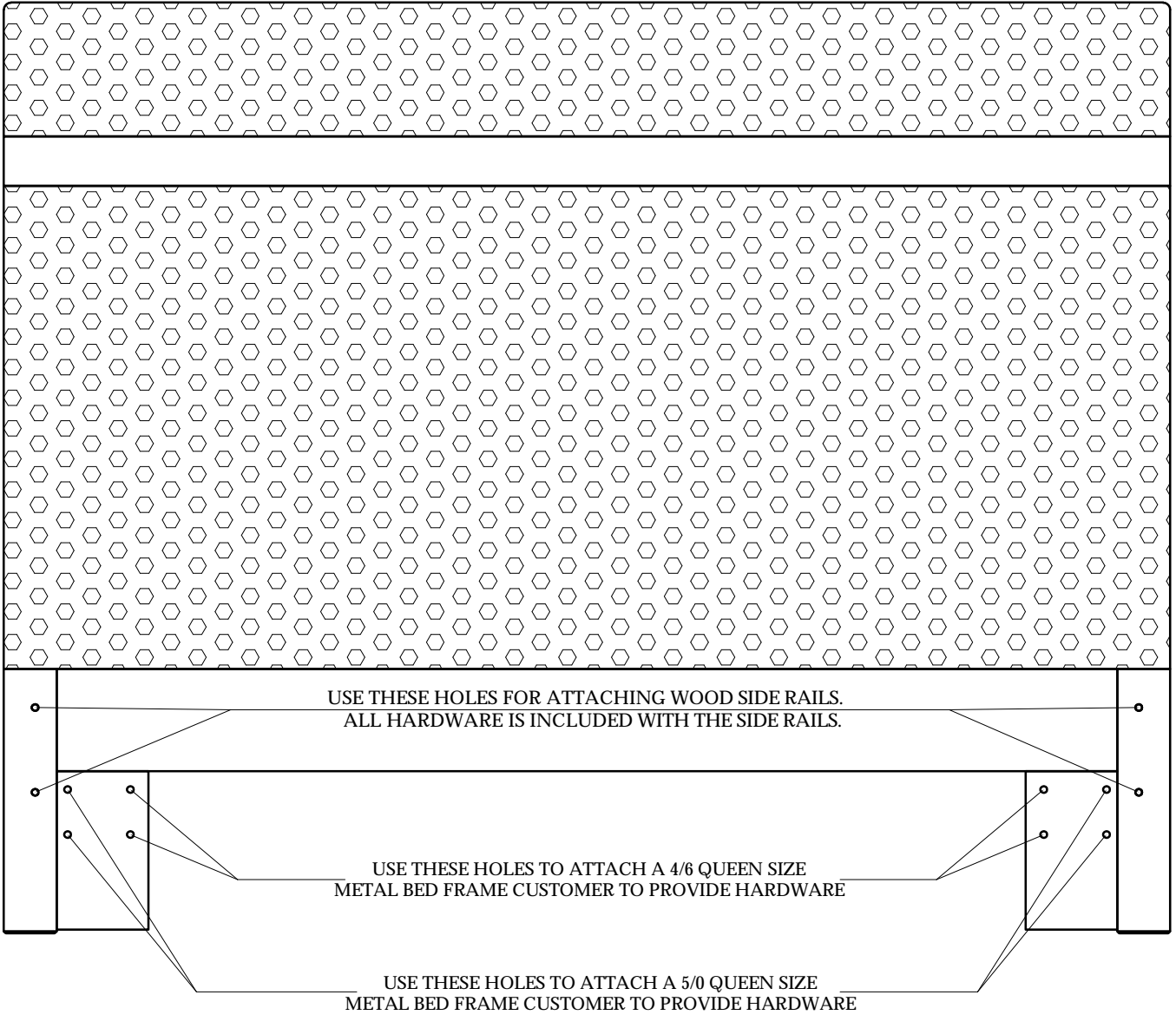
Step 3



Step 4



5/0 Queen Uph Bed  
50574 -- 5/0 Uph Headboard



The headboard may be used alone with a Queen size metal bed frame.