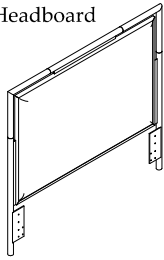
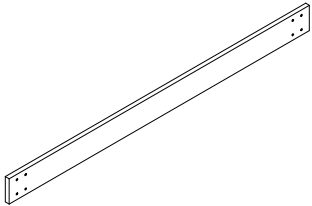
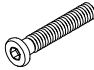





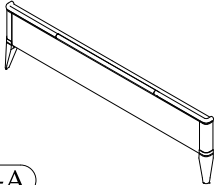




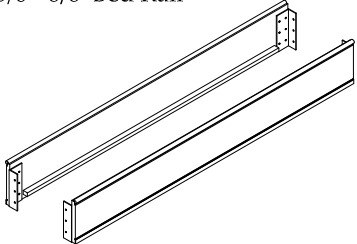
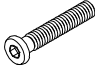



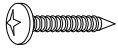
Hardware and Parts packed with the Headboard

Upholstered Headboard  (H-A) 1 pc.		Headboard Stretcher  (H-B) 1 pc.		Ø5/16-18 x 1-3/4" Long Allen Head Bolt  (H-C) 8 pcs.	
M5/16" Spring Washer  (H-D) 8 pcs.	M5/16" x 16 x 2mm Flat Washer  (H-E) 8 pcs.	5/16-18 Hex Nut  (H-F) 8 pcs.	12mm Open Wrench  (H-G) 1 pc.	5mm Allen Wrench  (H-H) 1 pc.	

Hardware and Parts packed with the Footboard

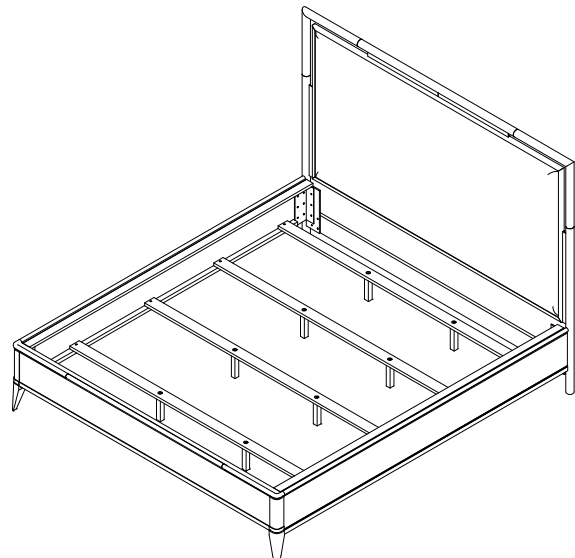
King Panel Footboard  (F-A) 1 pc.	6/0-6/6 Wood Slat 77" Long  (F-B) 4 pcs.	Slat Support Leg 7-3/4" long with leveler  (F-C) 8 pcs.		
---	---	--	--	--

Hardware and Parts packed with the Bed Rails

5/0 - 6/6 Bed Rail  (R-A) 2 pcs.	Ø5/16-18 x 1" Long Allen Head Bolt  (R-B) 10 pcs.	M5/16" Spring Washer  (H-D) 10 pcs.	M5/16" x 16 x 2mm Flat Washer  (H-E) 10 pcs.	5/16-18 Hex Nut  (H-F) 4 pcs.
	#8 x 1" Wood Screw  (R-C) 8 pcs.			

6/0 Bed Rail  (R-A) 2 pcs.	
---	--

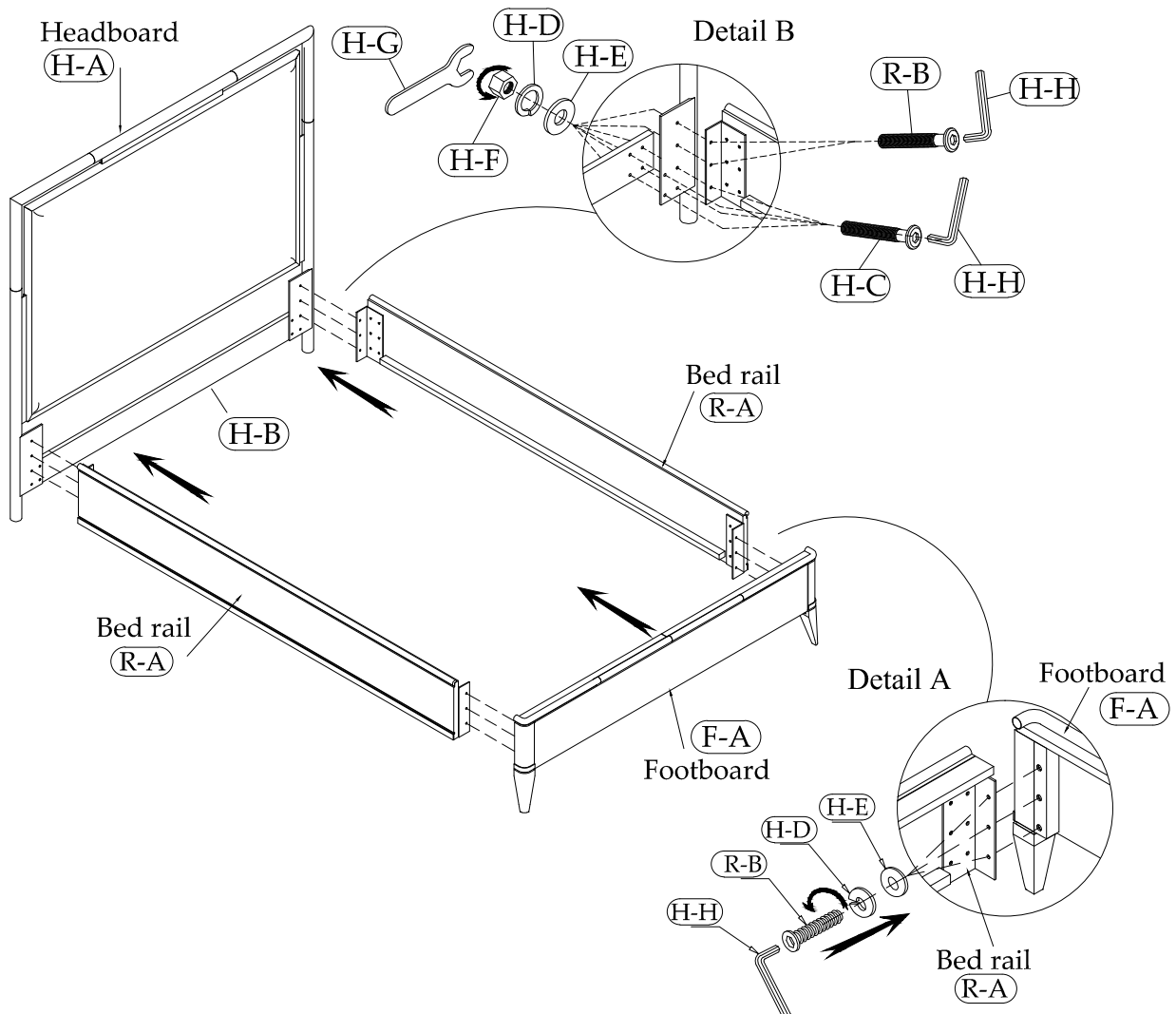
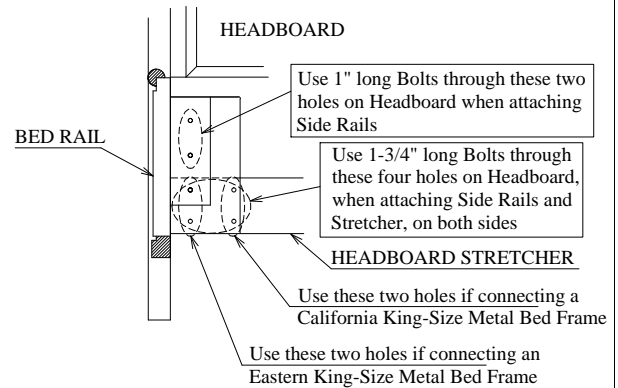
- 50378 6/0-6/6 UPHOLSTERED HEADBOARD
- 50381 6/0-6/6 PANEL FOOTBOARD
- 50372 5/0-6/6 PANEL BED RAILS (FOR 6/6 BED)
- OR
- 50382 6/0 PANEL BED RAILS (FOR 6/0 BED)



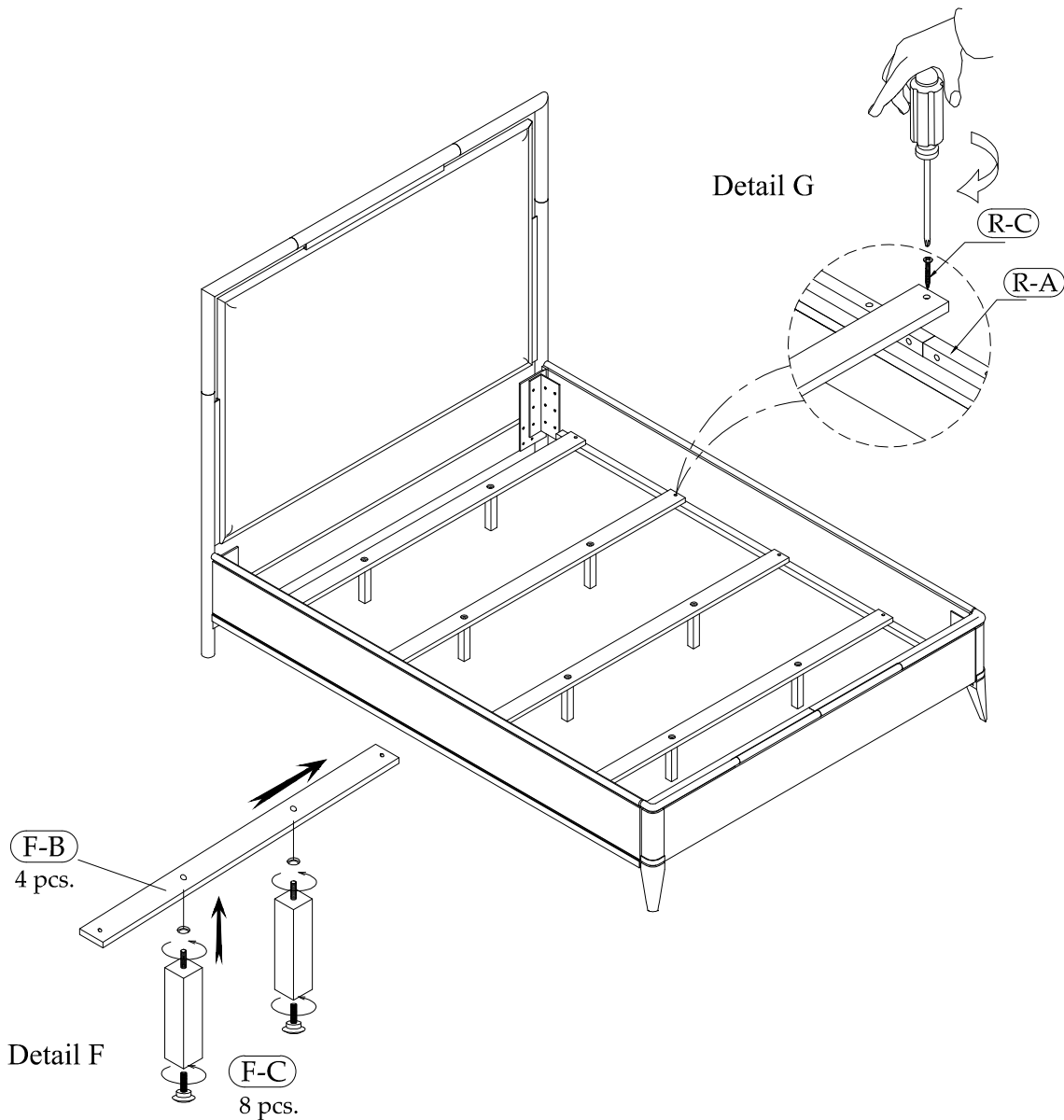
It is highly recommended that two people are used to safely assemble this Bed.

Steps:

1. Lean the back of the Headboard against the wall where the Bed will be assembled.
2. Attach the Side Rails to the Footboard using the 1" Long Allen Head Bolts (R-B), Spring Washers (R-D), and Flat Washers (R-E). (See Detail A). Do not fully tighten Bolts until .
3. Move the assembled Footboard and Rails to the front of the Headboard. Assemble the end of the Side Rails to the Headboard using the two 1" Long Bolts, Flat Washers, Spring Washers, and Hex Nuts (R-F) through the two top holes of the Side Rails, as shown. (See Detail B). Do not fully tighten bolts.
4. Assemble the Headboard Stretcher (H-B) to the Headboard posts and Side Rail using four 1-3/4" Long Bolts (R-C) and the same Washers and Hex Nut as before, through the lower four holes.
5. Carefully align the Footboard to be 'square' with the Headboard. Using the Open Wrench (R-G) and Allen Wrench (R-H) tighten all Bolts and Nuts attaching the Side Rails to the Headboard and Footboard. (See Detail E).



6. Attach the eight Slat Support Legs (F-C) to the bottom side of four Wood Slats (F-B). (See Detail F).
 7. Position and attach the Slats to the Bed Rails using the Wood Screws (R-I) and your Phillips Screwdriver. (See Detail G)
- The levelers located at the bottom of the Support Legs can be adjusted if necessary to support the Slats.





NOTE:
THE BOLTS AND WASHERS THAT ARE USED TO ATTACH
THE HEADBOARD STRETCHER WILL ALSO BE USED WHEN
CONNECTING A METAL BED FRAME TO THE HEADBOARD.

6/0-6/6 King Size Upholstered Bed

*The Headboard may be used alone
with an Eastern King or
California King Size
Metal Bed Frame*