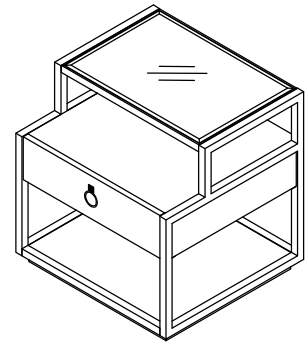


Warning :

- Be sure to check all packing material carefully for small parts, which may have come loose inside the carton during shipment.
- To prevent possible scratches and damage, this furniture **MUST BE ASSEMBLED BY TWO PEOPLE** on a soft surface such as a blanket or carpet.

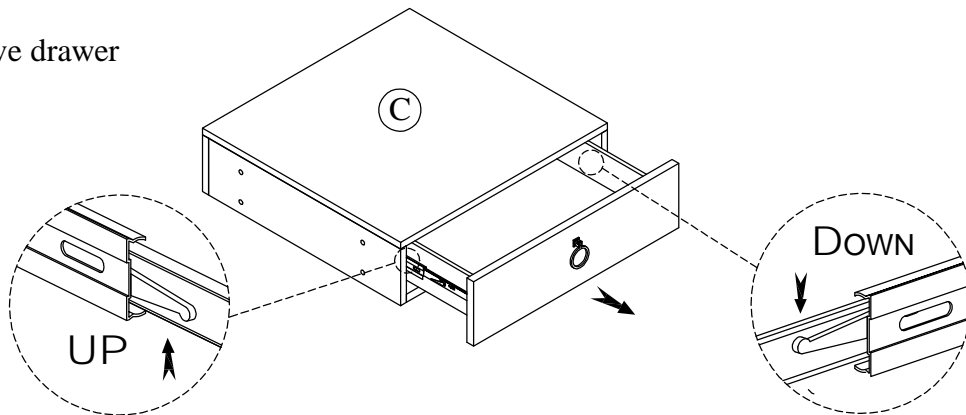


50308
Rectangle End Table

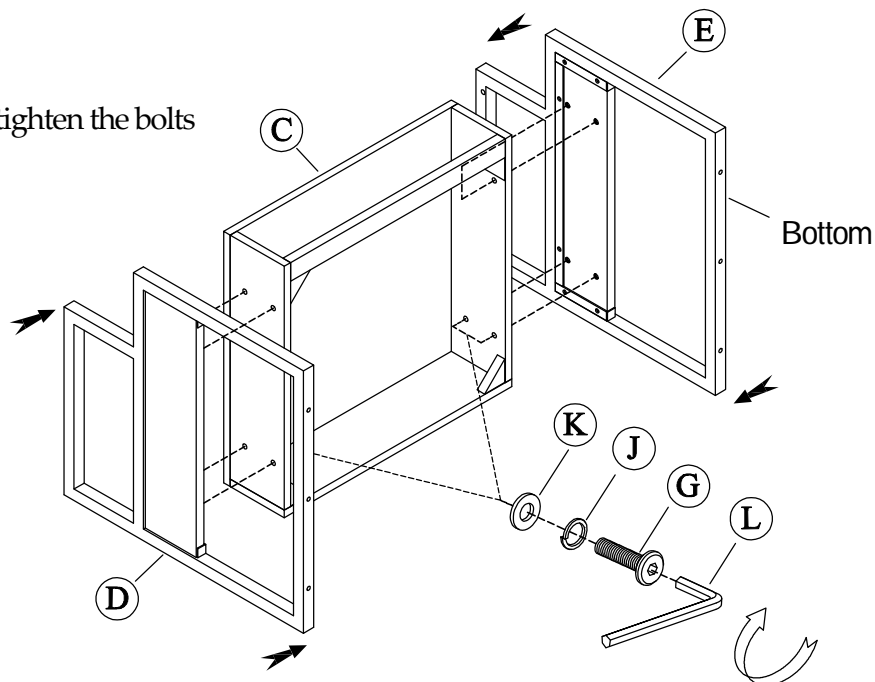
Components and Hardware List

<p>Glass</p> <p>(A) 1 pc.</p>	<p>Top Frame</p> <p>(B) 1 pc.</p>	<p>Storage Box</p> <p>(C) 1 pc.</p>	<p>Leg Frame Left</p> <p>(D) 1 pc.</p>	<p>Leg Frame Right</p> <p>(E) 1 pc.</p>		
<p>Bottom Frame</p> <p>(F) 1 pc.</p>	<p>Allen Head Bolt 1/4"x 20x 1-3/8"</p> <p>(G) 8 pcs.</p>	<p>Allen Head Bolt 1/4"x 20x 5/8"</p> <p>(H) 6 pcs.</p>	<p>Allen Head Bolt 1/4"x 20x 5/8"</p> <p>(I) 4 pcs.</p>	<p>Spring Washer 1/4"</p> <p>(J) 14 pcs.</p>	<p>Flat Washer 1/4" x 16*2mm</p> <p>(K) 14 pcs.</p>	<p>4mm Allen Key</p> <p>(L) 1 pc.</p>

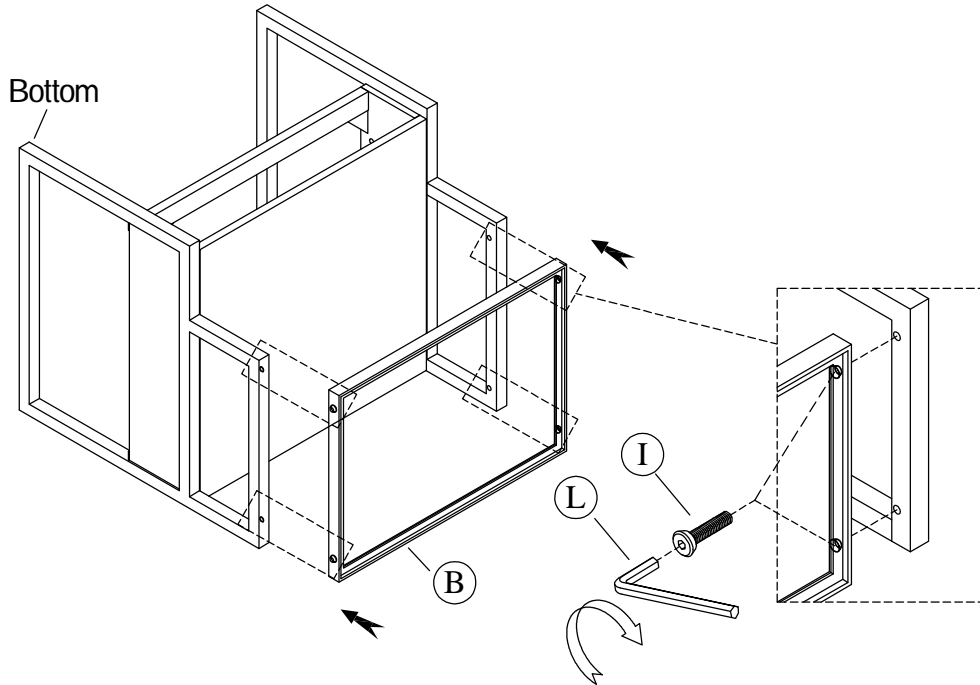
STEP 1: Remove drawer



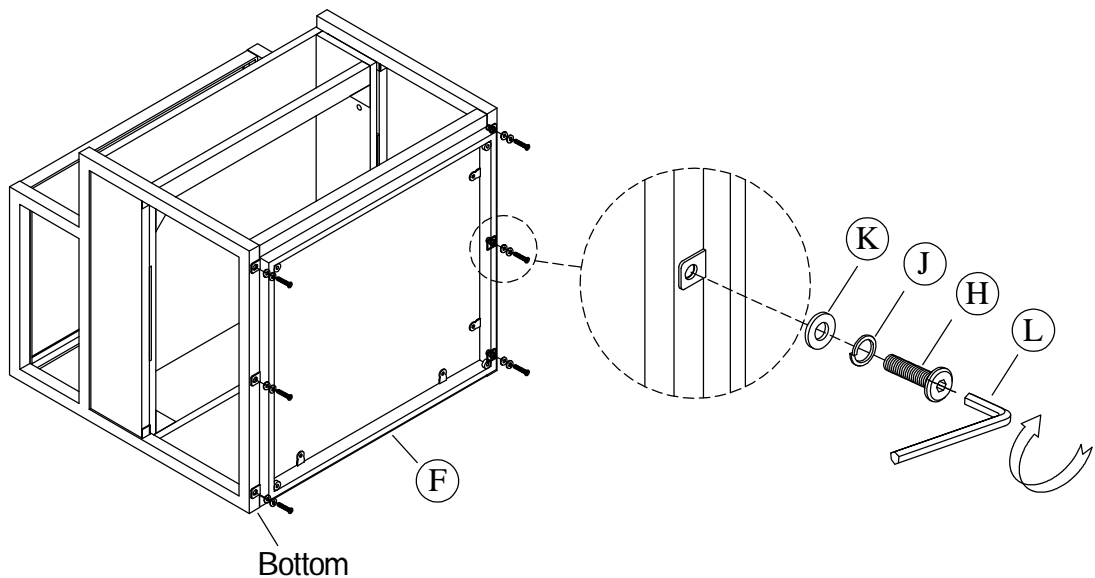
STEP 2: Do not fully tighten the bolts



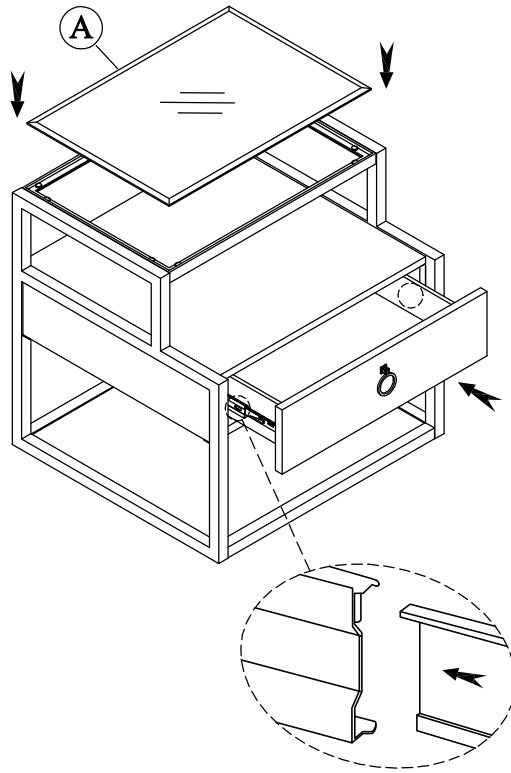
STEP 3: Do not fully tighten the bolts



STEP 4: Using the Allen key to tighten all bolts



STEP 5: Assemble drawer



STEP 6:

