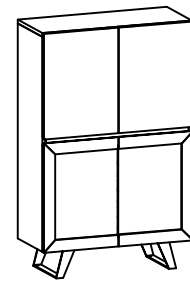
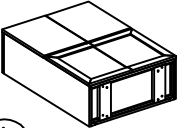
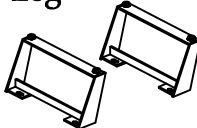
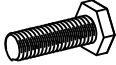


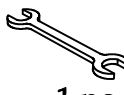



**Components and Hardware List**



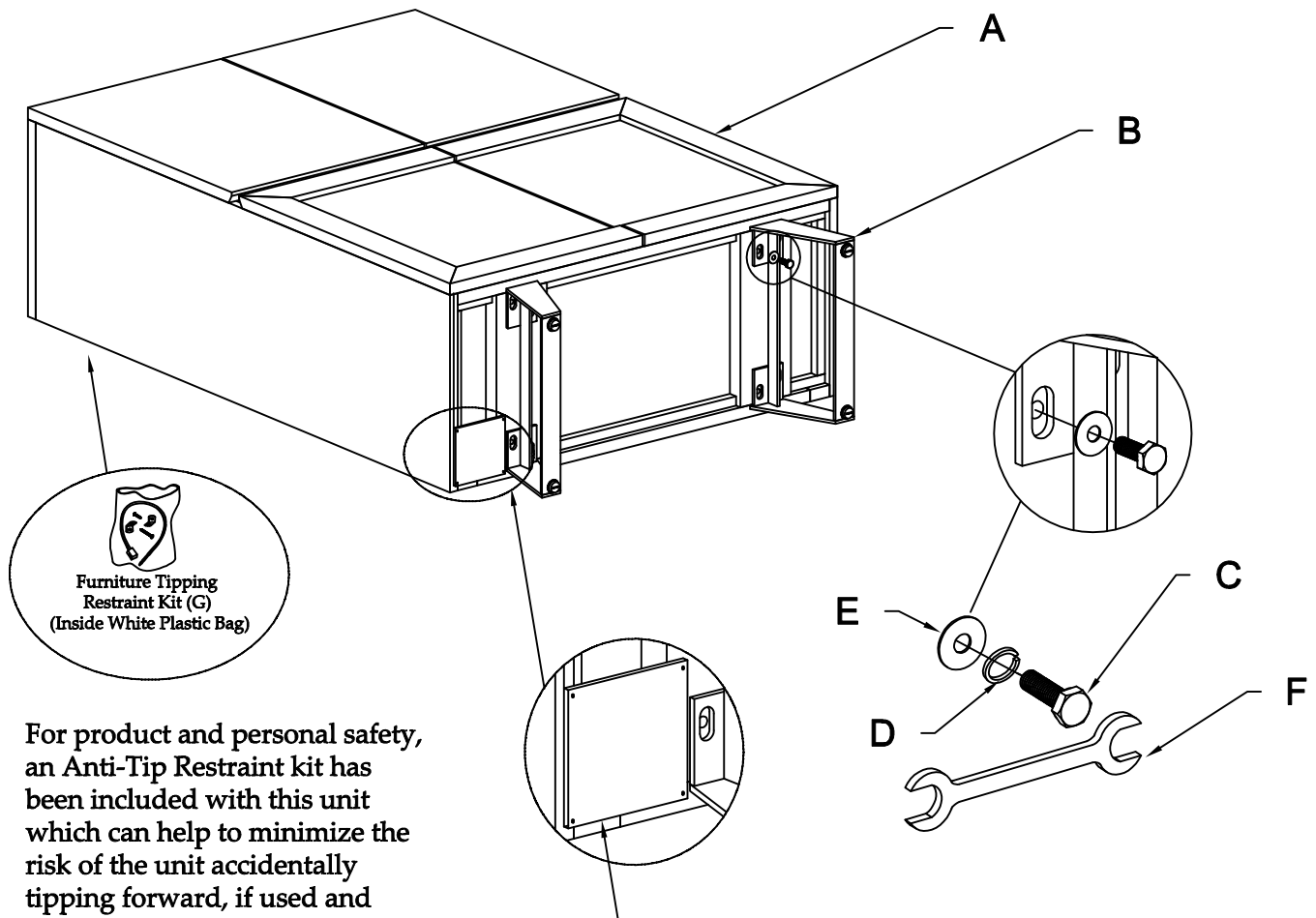
**49755**  
**Bar Cabinet**

<p><b>Cabinet</b></p>  <p><b>(A)</b> 1 pc.</p>	<p><b>Leg</b></p>  <p><b>(B)</b> 1 Set</p>	<p><b>Ø5/16" x 1 3/16" Bolt</b></p>  <p><b>(C)</b> 8 pcs.</p>	<p><b>Ø 5/16" (8mm) Spring Washer</b></p>  <p><b>(D)</b> 8 pcs.</p>
<p><b>Ø 5/16" (8mm) Flat Washer</b></p>  <p><b>(E)</b> 8 pcs.</p>	<p><b>No. 14x15 Wrench</b></p>  <p><b>(F)</b> 1 pc.</p>	<p><b>Furniture Tipping Restraint Kit</b></p>  <p><b>(G)</b> 1 pc.</p>	

Be sure to check all packing material carefully for loose parts.

To prevent possible damage to this unit it should be assembled on a soft surface such as a blanket or carpet.

NOTE : Attach all bolts loose by hand and then tighten once fully assembled.



For product and personal safety, an Anti-Tip Restraint kit has been included with this unit which can help to minimize the risk of the unit accidentally tipping forward, if used and properly installed per the kit manufacturer's instructions.

To access the power cord for the lights, remove the small panel by unscrewing four screws using an appropriate screwdriver. Discard the small panel.