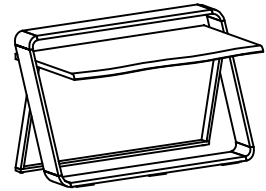


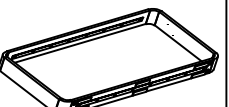
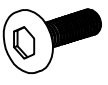







Components and Hardware List



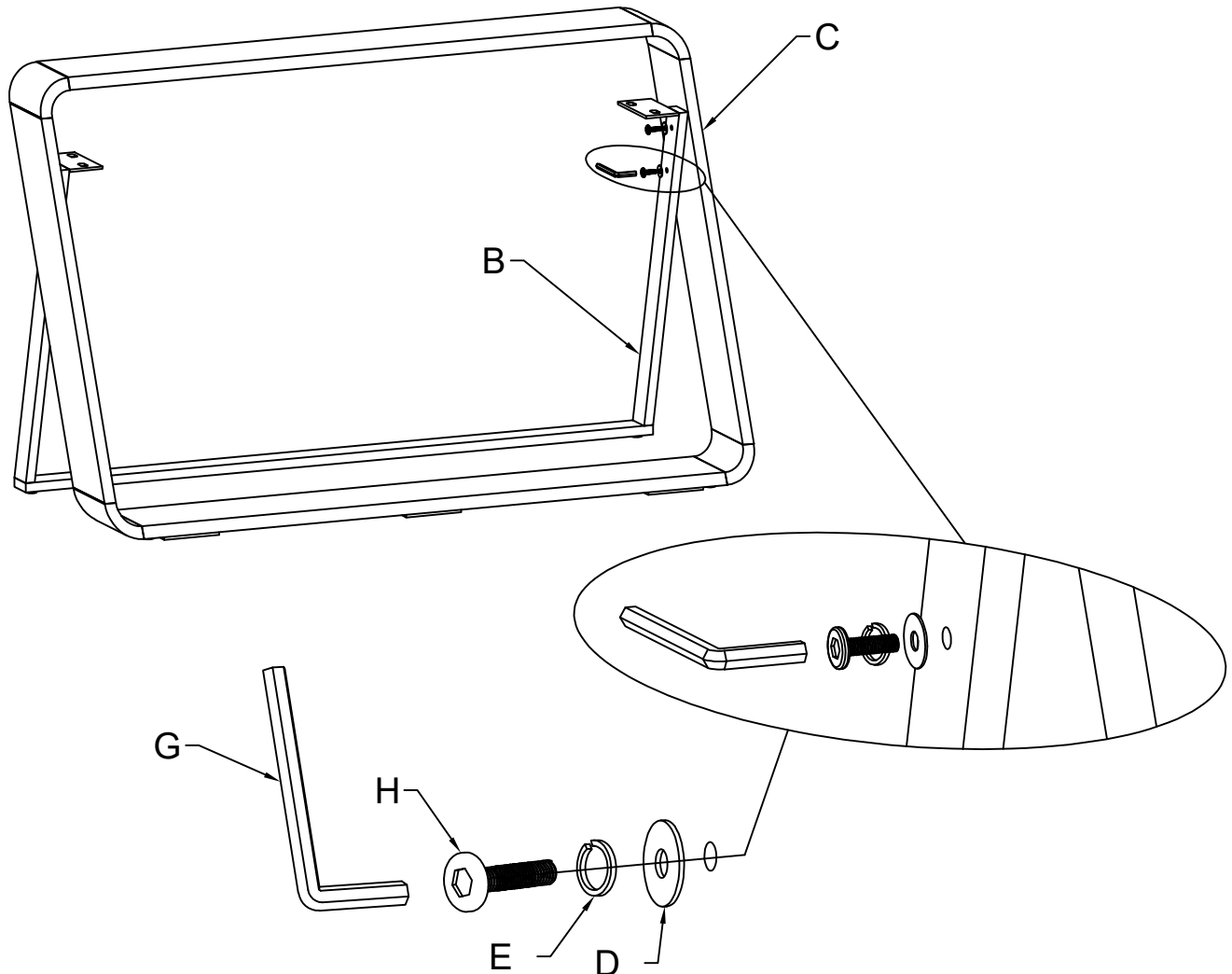
#49731
Waverly
Writing Desk

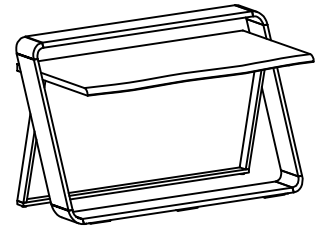
<p>Top</p>  <p>(A) 1 pc.</p>	<p>Base</p>  <p>(B) 1 pc.</p>	<p>Base</p>  <p>(C) 1 pc.</p>	<p>Ø 5/16" x 1" Allen Bolt</p>  <p>(D) 4 pcs.</p>	<p>Furniture Tipping Restraint Kit</p>  <p>(I) 1 pc.</p>
<p>Ø 5/16" (8mm) Spring Washer</p>  <p>(E) 8 pcs.</p>	<p>Ø 5/16" (8mm) Flat Washer</p>  <p>(F) 8 pcs.</p>	<p>No. 5 Allen Key</p>  <p>(G) 1 pcs.</p>	<p>Ø 5/16" x 1 1/2" Allen Bolt</p>  <p>(H) 4 pcs.</p>	

Be sure to check all packing material carefully for loose parts.

To prevent possible damage to this unit it should be assembled on a soft surface such as a blanket or carpet.

NOTE : Attach all bolts loose by hand and then tighten once fully assembled.





#49731
Waverly
Writing Desk

