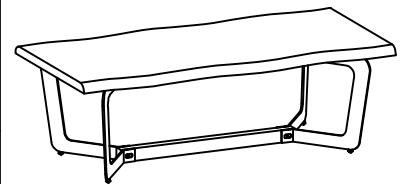
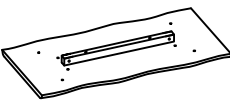
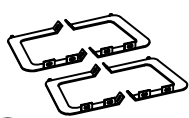

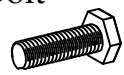
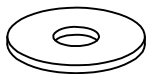

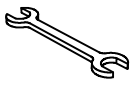


Components and Hardware List



#49702
Waverly
Cocktail Table

| | | | |
|---|---|---|--|
| <p>Top</p>  <p>(A) 1 pc.</p> | <p>Base</p>  <p>(B) 1 Set</p> | <p>Stretcher</p>  <p>(C) 1 pc.</p> | <p>Ø 5/16" x 1" Bolt</p>  <p>(D) 16 pcs.</p> |
| <p>Ø 5/16" (8mm) Flat Washer</p>  <p>(E) 16 pcs.</p> | <p>5/16" Spring Washer</p>  <p>(F) 16 pcs.</p> | <p>No. 14x15 Wrench</p>  <p>(G) 1 pcs.</p> | |

Be sure to check all packing material carefully for loose parts.

To prevent possible damage to this table it should be assembled on a soft surface such as a blanket or carpet.

NOTE : Attach all bolts loose by hand and then tighten once fully assembled.

