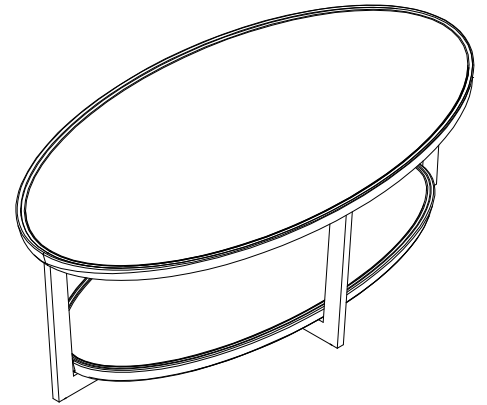


email: [info@riverside-furniture.com](mailto:info@riverside-furniture.com)

**Warning :**

- Be sure to check all packing material carefully for small parts, which may have come loose inside the carton during shipment.
- To prevent possible scratches and damage, this furniture **MUST BE ASSEMBLED BY TWO PEOPLE** on a soft surface such as a blanket or carpet.



#48701

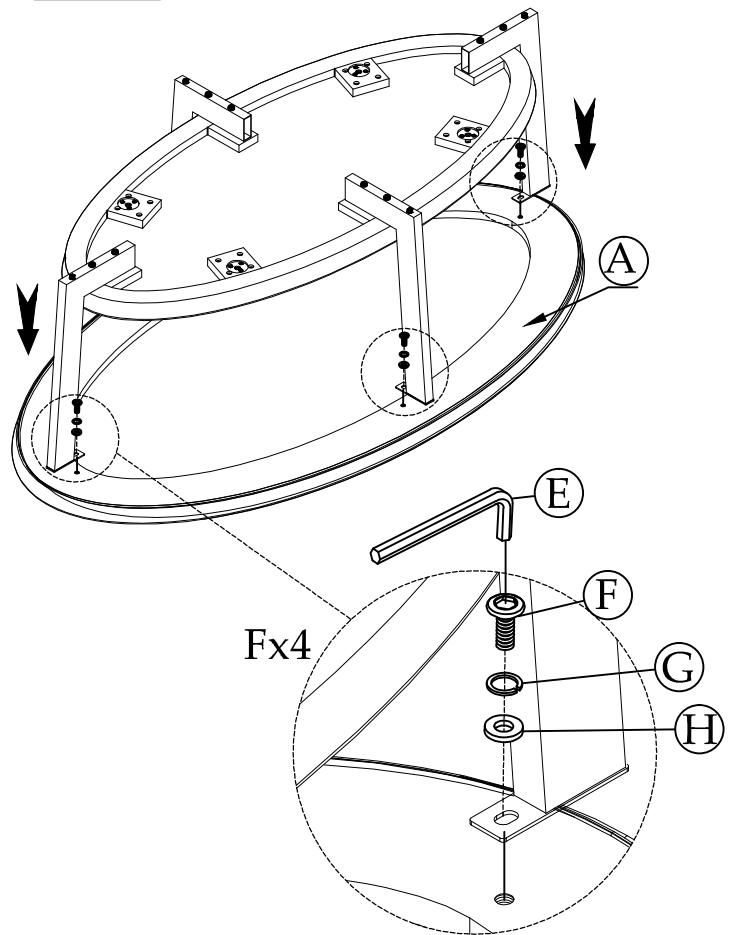
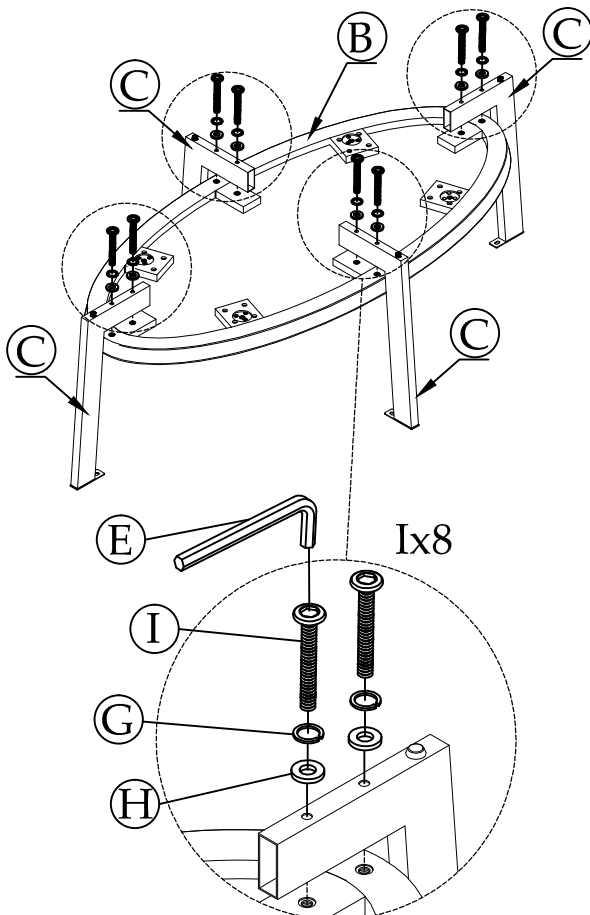
Caster Cocktail Table

**Components and Hardware List**

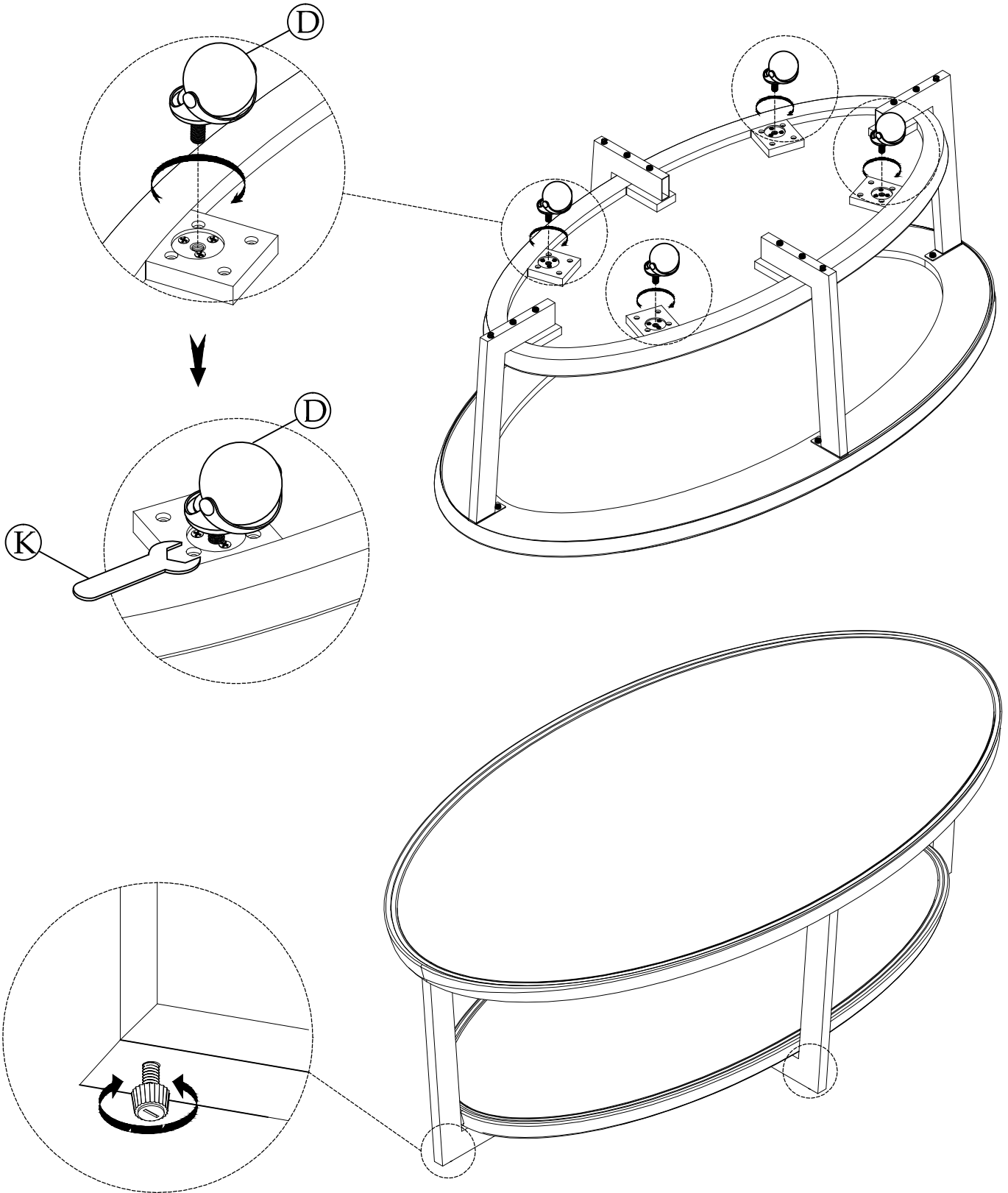
Table Top	Shelf Assembly	Leg Frame	Casters		
1 pc.	1 pc.	4 pcs.	4 pcs.		
M4 Allen Key 58x23x4mm	1/4 - 20 x 18mm Allen Head Bolt	1/4 - Ø12x1mm Spring Washer	1/4 - Ø16x2mm Flat Washer	1/4 - 20 x 67mm Allen Head Bolt	Wrench K17mm
1 pc.	4 pcs.	12 pcs.	12 pcs.	8 pcs.	1 pc.

**Step 1:** Do not fully tighten the bolts

**Step 2:** Using the Allen key to tighten all bolts



Step 3:



Adjustable Leveler