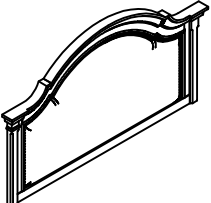
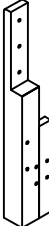

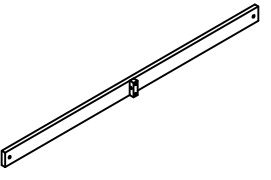
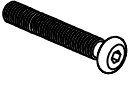
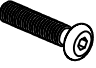


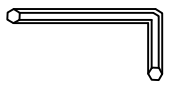


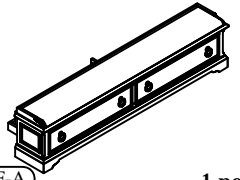
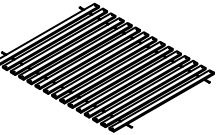
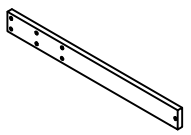
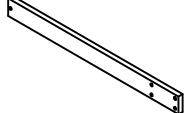

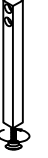





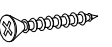
**Warning:**

- Be sure to check all packing material carefully for small parts, which may have come loose inside the carton during shipment.
- To prevent possible scratches and damage, this furniture **MUST BE ASSEMBLED BY TWO PEOPLE** on a soft surface such as a blanket or carpet.

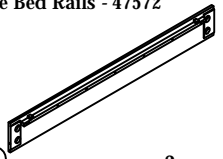





**Hardware and Parts packed with the Headboard**

<p>Uph Panel Headboard- 47584</p>  <p>(H-A) 1 pc.</p>	<p>Headboard Post Left</p>  <p>(H-B) 1 pc.</p>	<p>Headboard Post Right</p>  <p>(H-C) 1 pc.</p>	<p>Headboard Stretcher</p>  <p>(H-D) 1 pc.</p>	
<p>Ø5/16" x 2" Allen Head Bolt</p>  <p>(H-E) 6 pcs.</p>	<p>Ø5/16" x 1- 1/2" Allen Head Bolt</p>  <p>(H-F) 2 pcs.</p>	<p>Ø5/16" Spring Washer</p>  <p>(H-G) 8 pcs.</p>	<p>Ø5/16" x Ø19mm Flat Washer</p>  <p>(H-H) 8 pcs.</p>	<p>5mm Allen key</p>  <p>(H-I) 1 pc.</p>

**Hardware and Parts packed with the Footboard**

<p>Uph Storage Footboard - 47585</p>  <p>(F-A) 1 pc.</p>	<p>Slats ( 76-3/4" long )</p>  <p>(F-B) 1 pc.</p>	<p>Center Support Front Rail ( 42-3/4" long )</p>  <p>(F-C1) 1 pc.</p>	<p>Center Support Back Rail ( 42-3/4" long )</p>  <p>(F-C2) 1 pc.</p>	<p>Footboard Support Leg ( 4-1/2" long )</p>  <p>(F-D) 2 pcs.</p>	<p>Center Support leg (342mmx32mmx32mm)</p>  <p>(F-E) 1 pc.</p>
<p>Ø1/4" x 2" Allen Head Bolt</p>  <p>(F-F) 2 pcs.</p>	<p>Ø1/4" x 1- 3/8" Allen Head Bolt</p>  <p>(F-G) 4 pcs.</p>	<p>Ø1/4" Spring Washer</p>  <p>(F-H) 6 pcs.</p>	<p>Ø1/4" x Ø19mm Flat Washer</p>  <p>(F-I) 6 pcs.</p>	<p>4mm Allen key</p>  <p>(F-K) 1 pc.</p>	<p>Screw Ø8 x 1"</p>  <p>(F-L) 30 pcs.</p>

**Hardware and Parts packed with the Bed Rails**

<p>Storage Bed Rails - 47572</p>  <p>(R-A) 2 pcs.</p>	<p>Ø5/16" Curved Washer</p>  <p>(R-B) 8 pcs.</p>	<p>Ø5/16" Spring Washer</p>  <p>(R-C) 8 pcs.</p>	<p>Ø5/16" Nut</p>  <p>(R-D) 8 pcs.</p>	<p>Ø5/16" x 3-1/2" Long Bolt</p>  <p>(R-E) 8 pcs.</p>	<p>13 mm Open Wrench</p>  <p>(R-F) 1 pc.</p>
--	--	--	---	---	---

**6/0-6/6 King Bed**

**47584 -- 6/0-6/6 Upholstered Panel Headboard.**

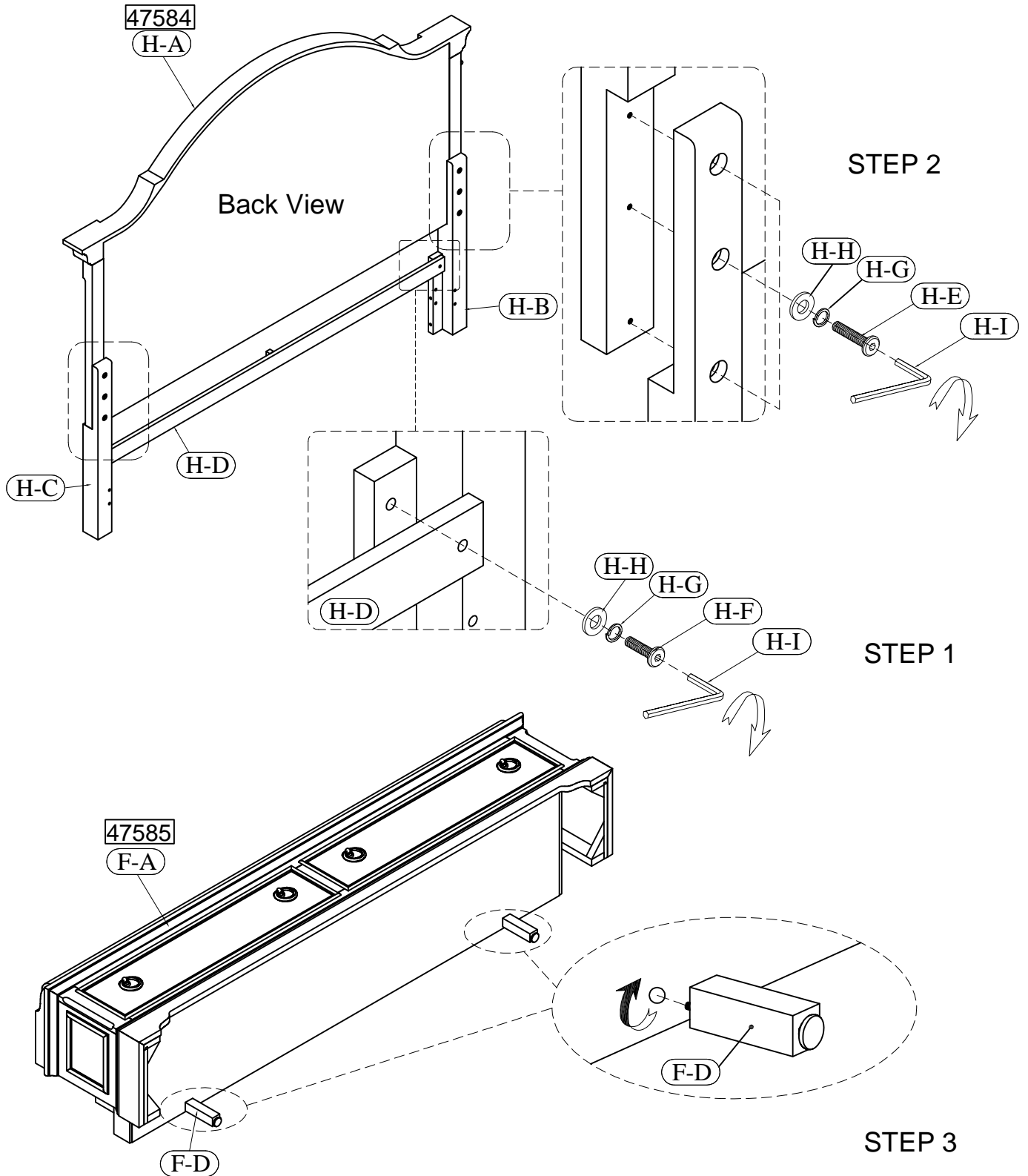
**47585 -- 6/6 Upholstered Storage Footboard.**

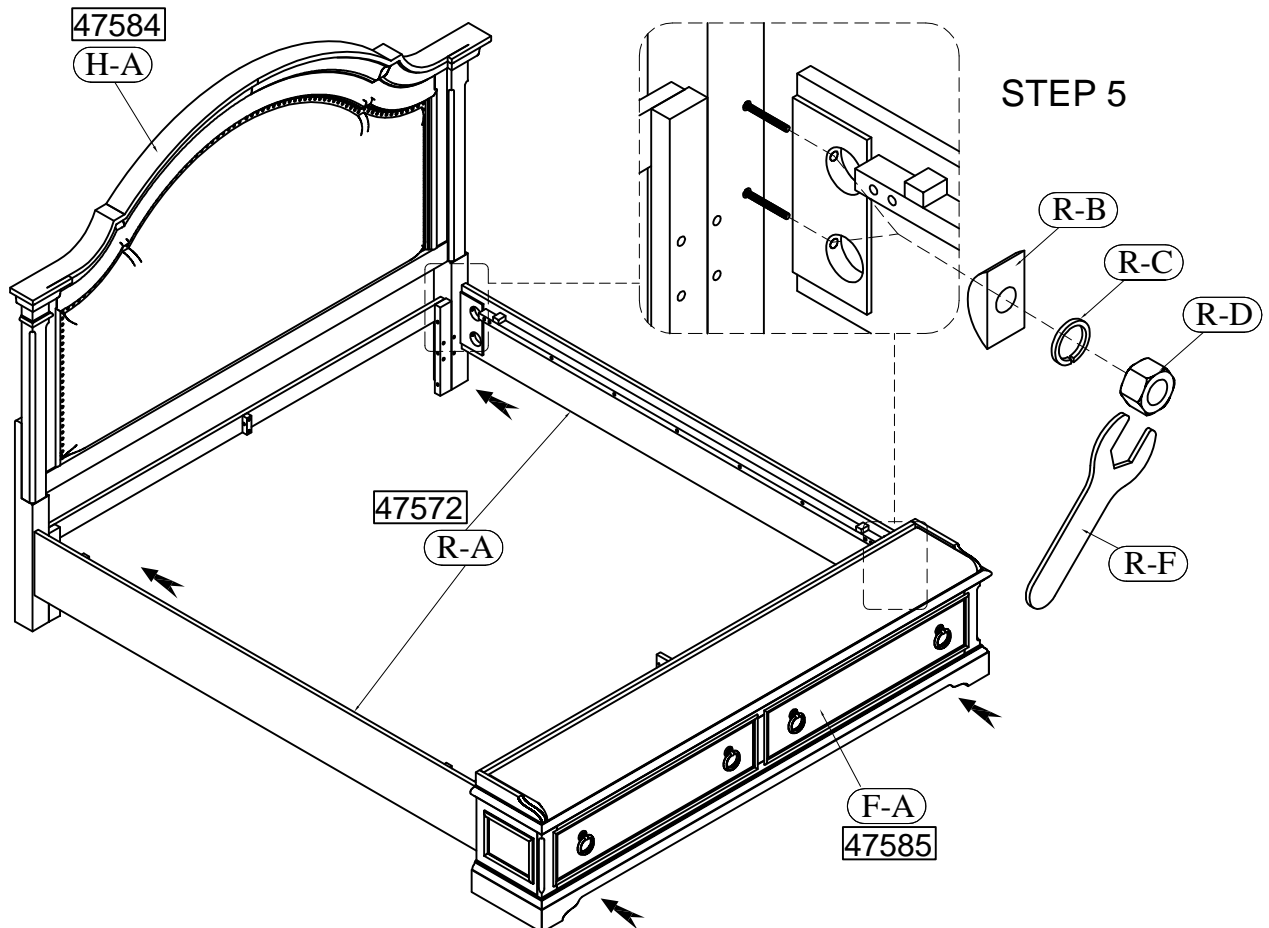
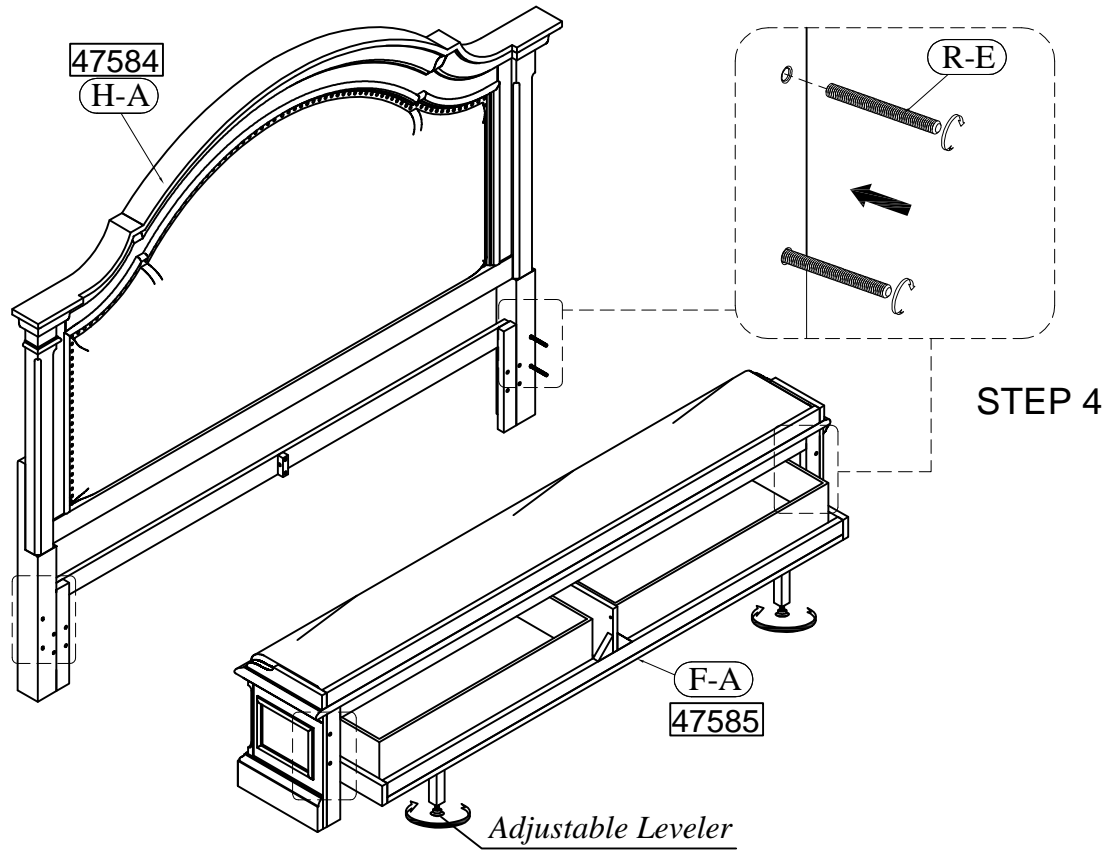
**47572 -- 5/0-6/6 Storage Bed Rails.**

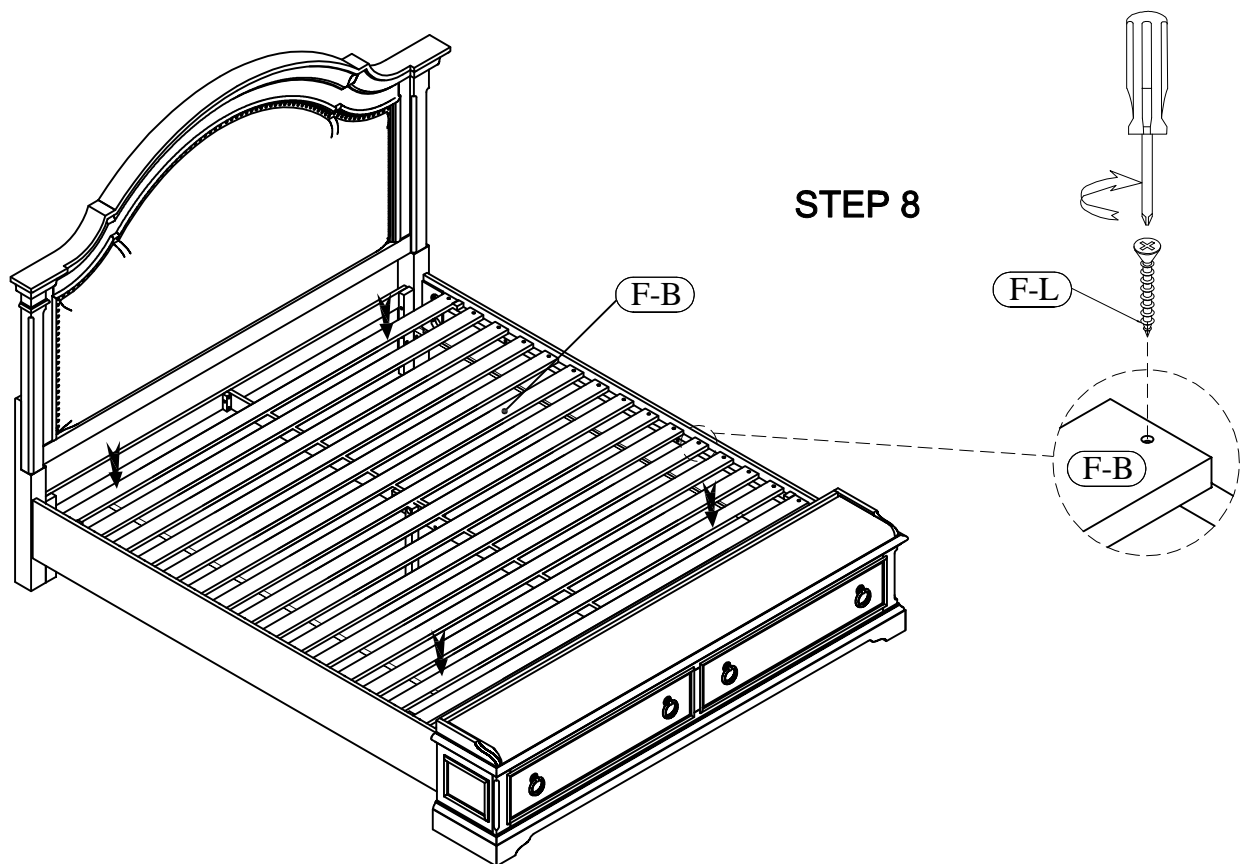
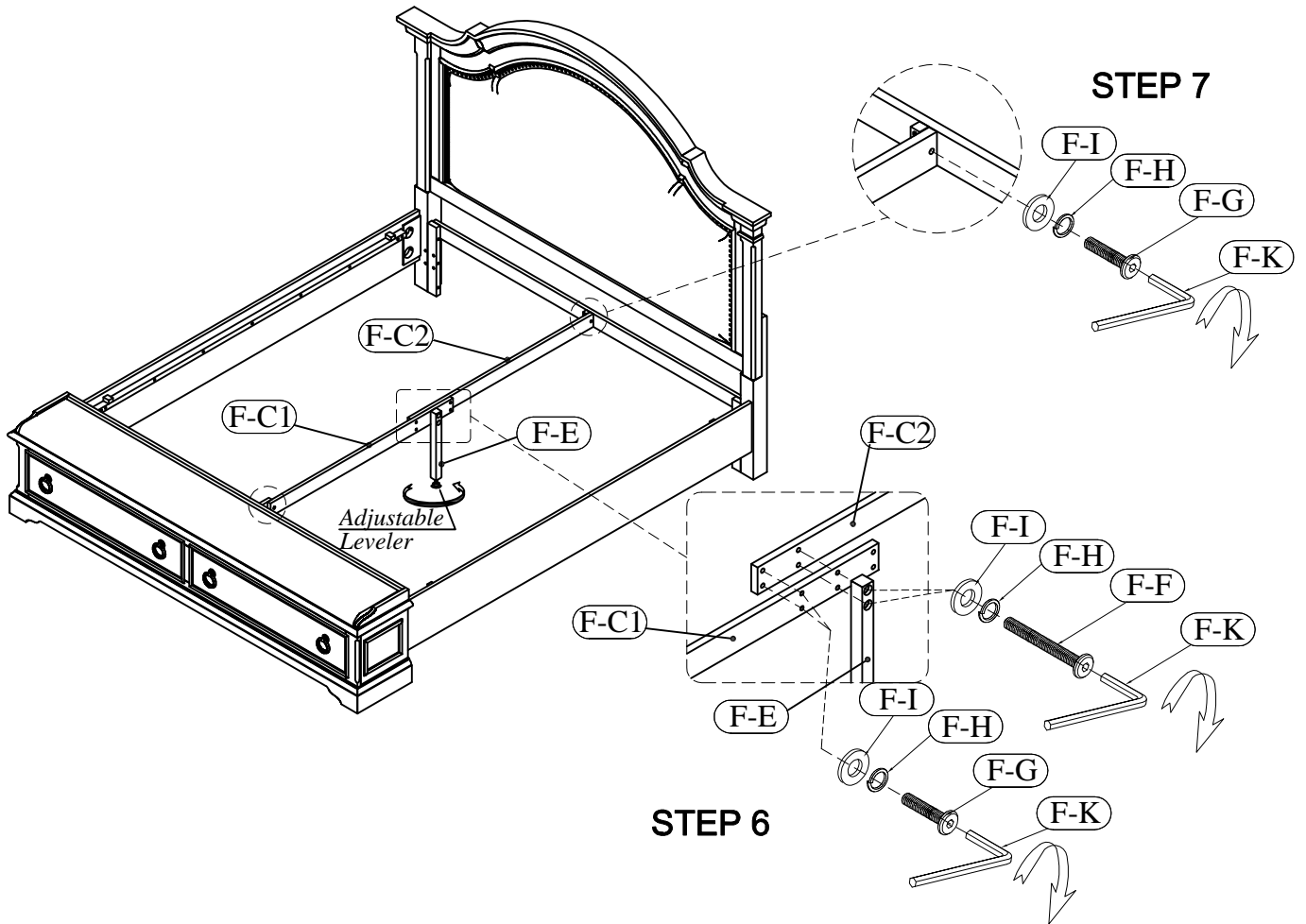
**6/0-6/6 King Storage Bed**

**47584 -- 6/0-6/6 Upholstered Panel Headboard.**

**47585 -- 6/6 Upholstered Storage Footboard.**

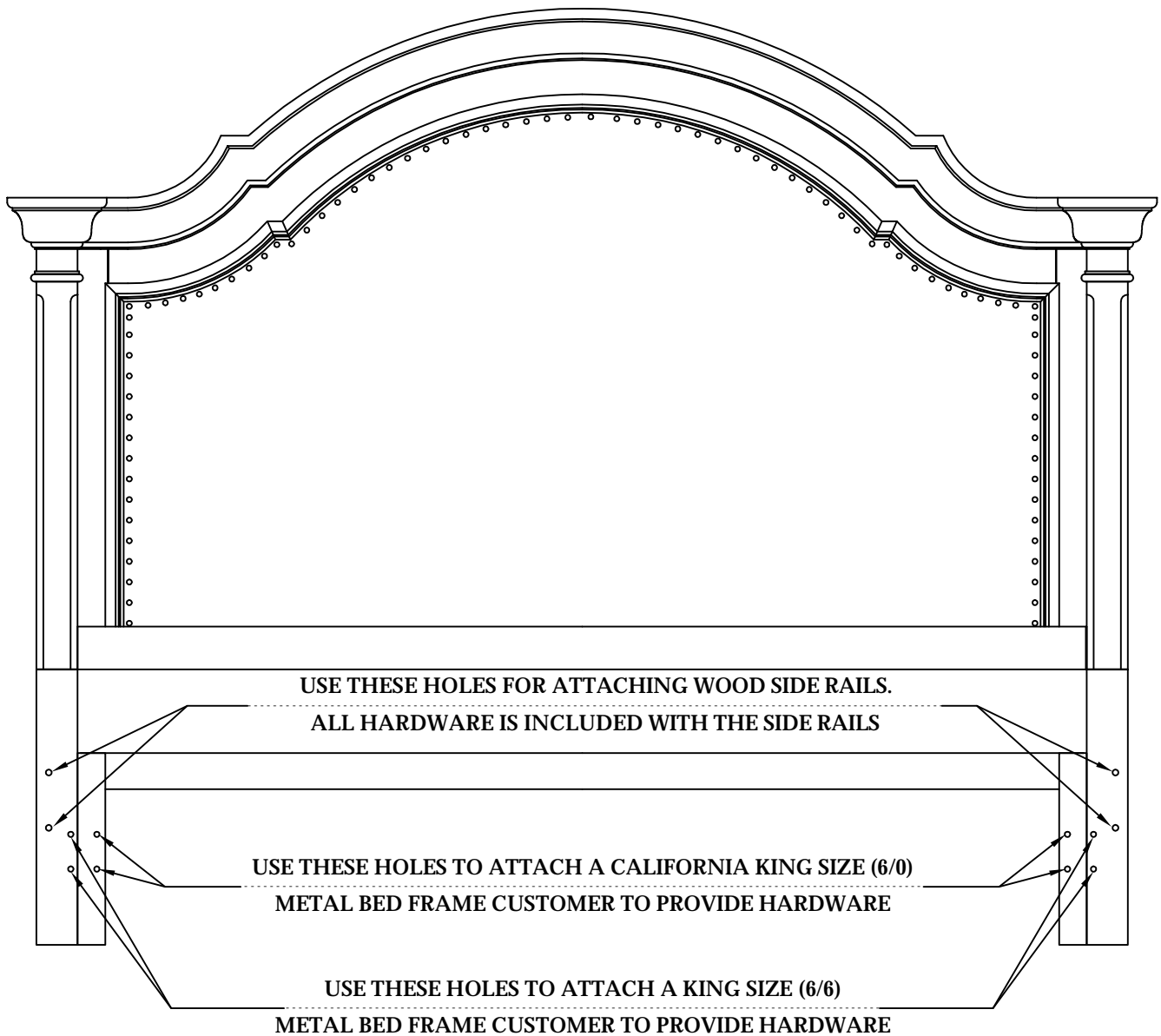






***6/0-6/6 King Storage Bed***

***47584 -- 6/0-6/6 Upholstered Panel Headboard.***



The headboard may be used alone with a Eastern King or California King size metal bed frame.