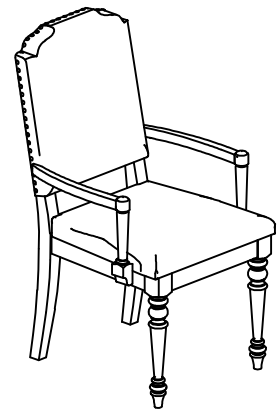


**Warning :**

- Be sure to check all packing material carefully for small parts, which may have come loose inside the carton during shipment.
- To prevent possible scratches and damage, this furniture must be assembled on a soft surface such as a blanket or carpet.



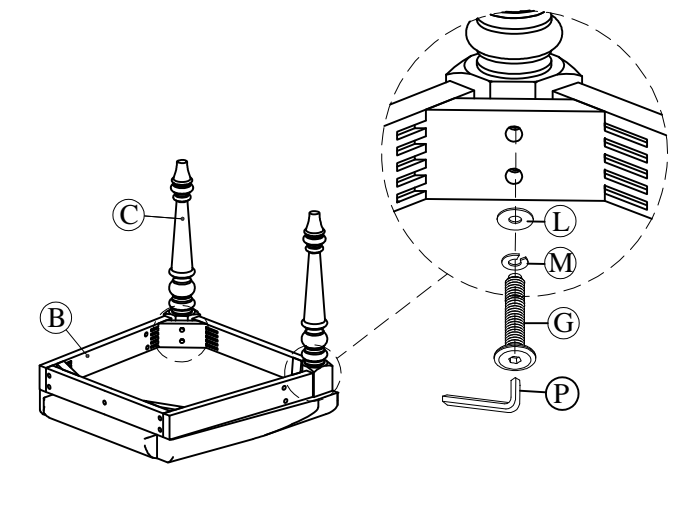
**47558**  
**Uph Arm Chair**

**Components and Hardware List**

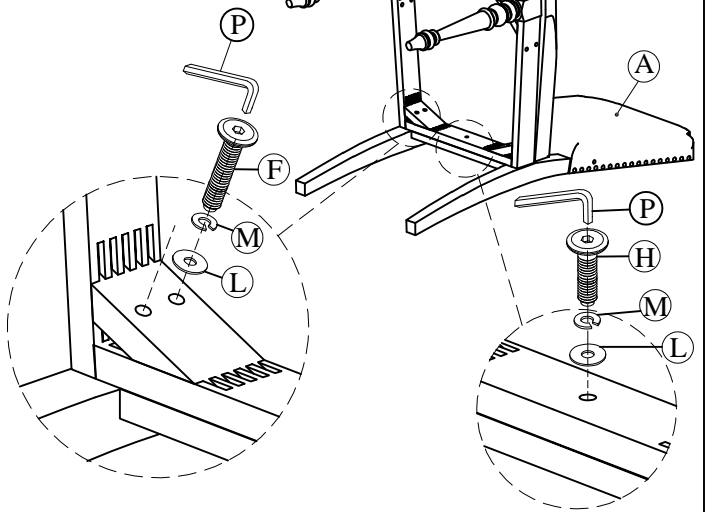
<p>Chair Back</p> <p>(A) 1 PC.</p>	<p>Seat Frame</p> <p>(B) 1 PC.</p>	<p>Front Leg</p> <p>(C) 2 PCS.</p>	<p>Arm assembly (Left)</p> <p>(D) 1 PC.</p>	<p>Arm assembly (Right)</p> <p>(E) 1 PC.</p>
------------------------------------	------------------------------------	------------------------------------	---	--

<p>Allen Head Bolt φ5/16"x3"</p> <p>(F) 4 PCS.</p>	<p>Allen Head Bolt φ5/16"x2"</p> <p>(G) 4 PCS.</p>	<p>Allen Head Bolt φ5/16"x1-1/2"</p> <p>(H) 1 PC.</p>	<p>Allen Head Bolt φ1/4"x2"</p> <p>(I) 2 PCS.</p>	<p>Allen Head Bolt φ1/4"x1-1/2"</p> <p>(K) 4 PCS.</p>	<p>Flat Washer φ5/16"x19mm</p> <p>(L) 9 PCS.</p>	<p>Spring washer φ5/16"</p> <p>(M) 9 PCS.</p>	<p>Flat Washer φ1/4"x19mm</p> <p>(N) 4 PCS.</p>	<p>Spring washer φ1/4"</p> <p>(O) 4 PCS.</p>	<p>4mm Allen Key</p> <p>(P) 1 PC.</p>
--	--	---	---	---	--	---	---	--	---------------------------------------

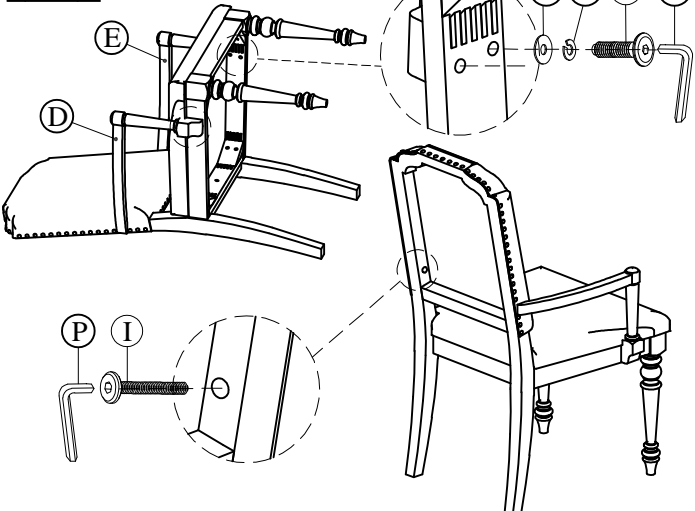
**STEP 1**



**STEP 2**



**STEP 3**



**COMPLETE**

