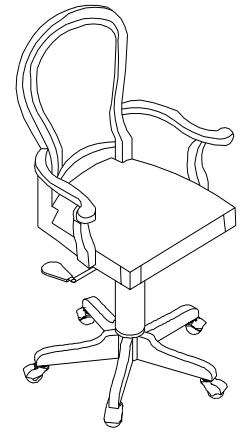


Warning :

- Be sure to check all packing material carefully for small parts, which may have come loose inside the carton during shipment.
- To prevent possible scratches and damage, this furniture **MUST BE ASSEMBLED BY TWO PEOPLE** on a soft surface such as a blanket or carpet.



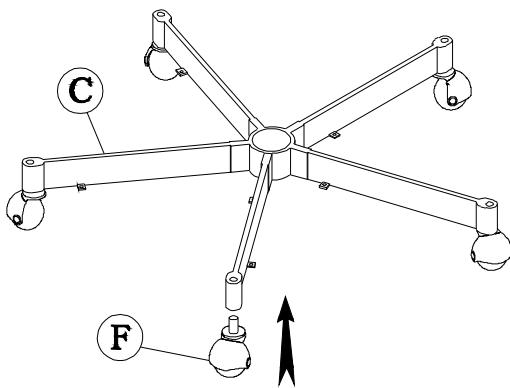
#47239

Round Back Leather
Desk Chair

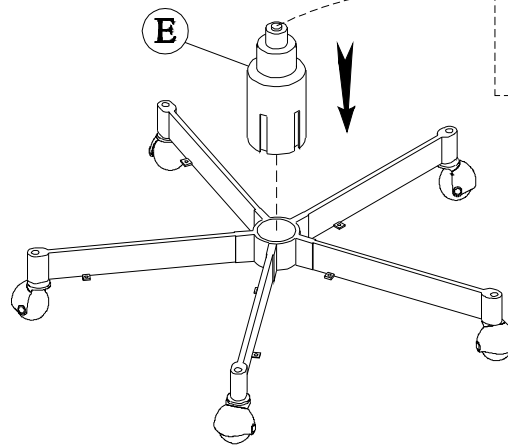
Components and Hardware List

<p>Chair Seat & Back</p> <p>(A) 1 pc.</p>	<p>Chair Control</p> <p>(B) 1 pc.</p>	<p>Metal Base Frame</p> <p>(C) 1 pc.</p>	<p>Wood Cap</p> <p>(D) 5 pcs.</p>	<p>Pneumatic Cylinder & Cover</p> <p>(E) 1 pc.</p>	<p>Caster</p> <p>(F) 5 pcs.</p>	<p>Ø5/16" x18 x 1-1/2" Allen Head Bolt</p> <p>(G) 4 pcs.</p>	<p>Ø5/16" Spring Washer</p> <p>(H) 4 pcs.</p>	<p>Flat Washer 5/16" x 19*2mm</p> <p>(I) 4 pcs.</p>	<p>5mm Allen Key</p> <p>(J)</p>	<p>Wood Screw #5 x 15 Length</p> <p>(K) 10 pcs.</p>	<p>Tool Required (Not provided) Phillips Screwdriver</p>
---	---------------------------------------	--	-----------------------------------	--	---------------------------------	--	---	---	---------------------------------	---	--

Step 1

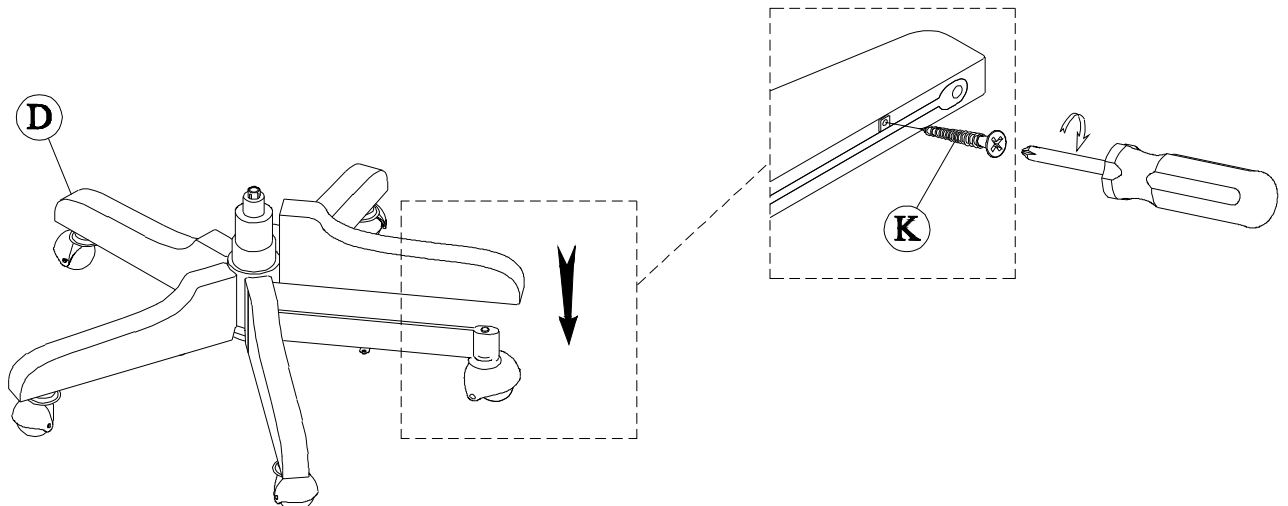


Step 2

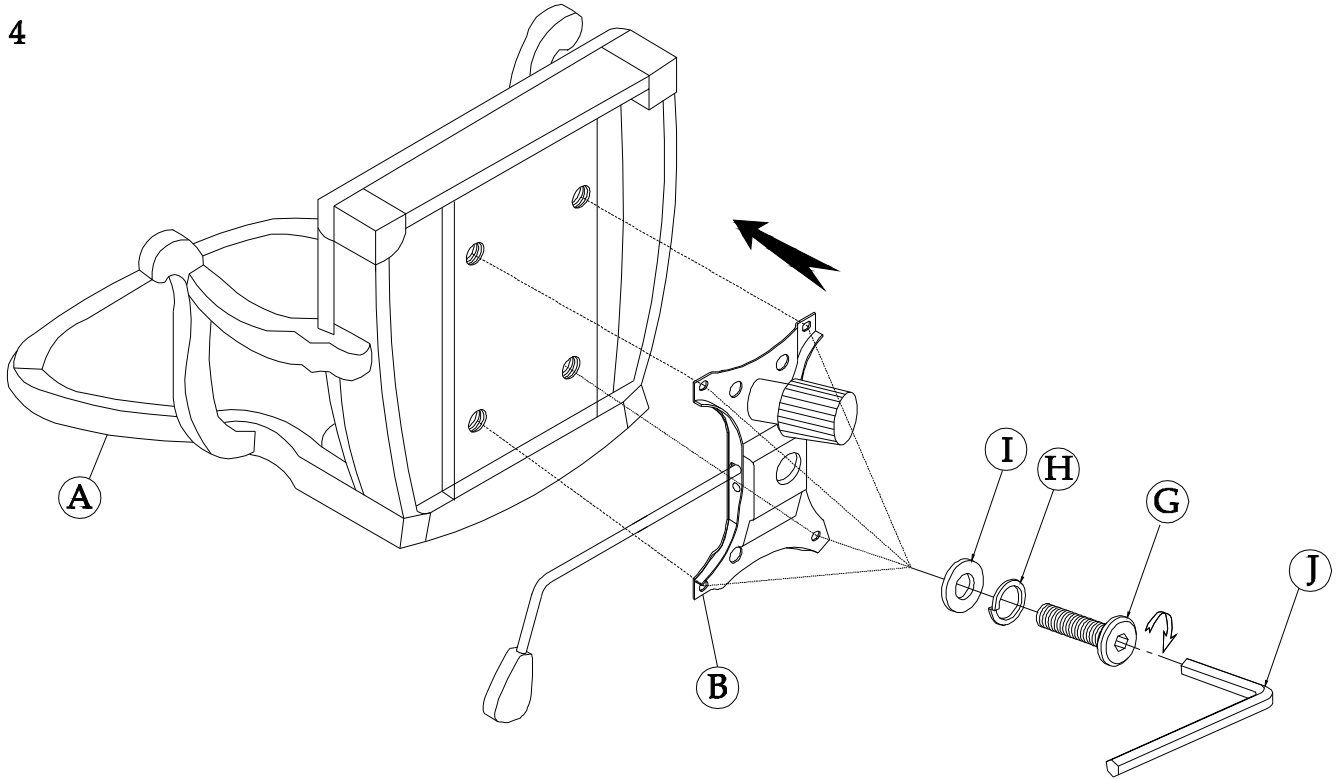


If present, remove the plastic cover from the top end of the cylinder before assembling to seat.

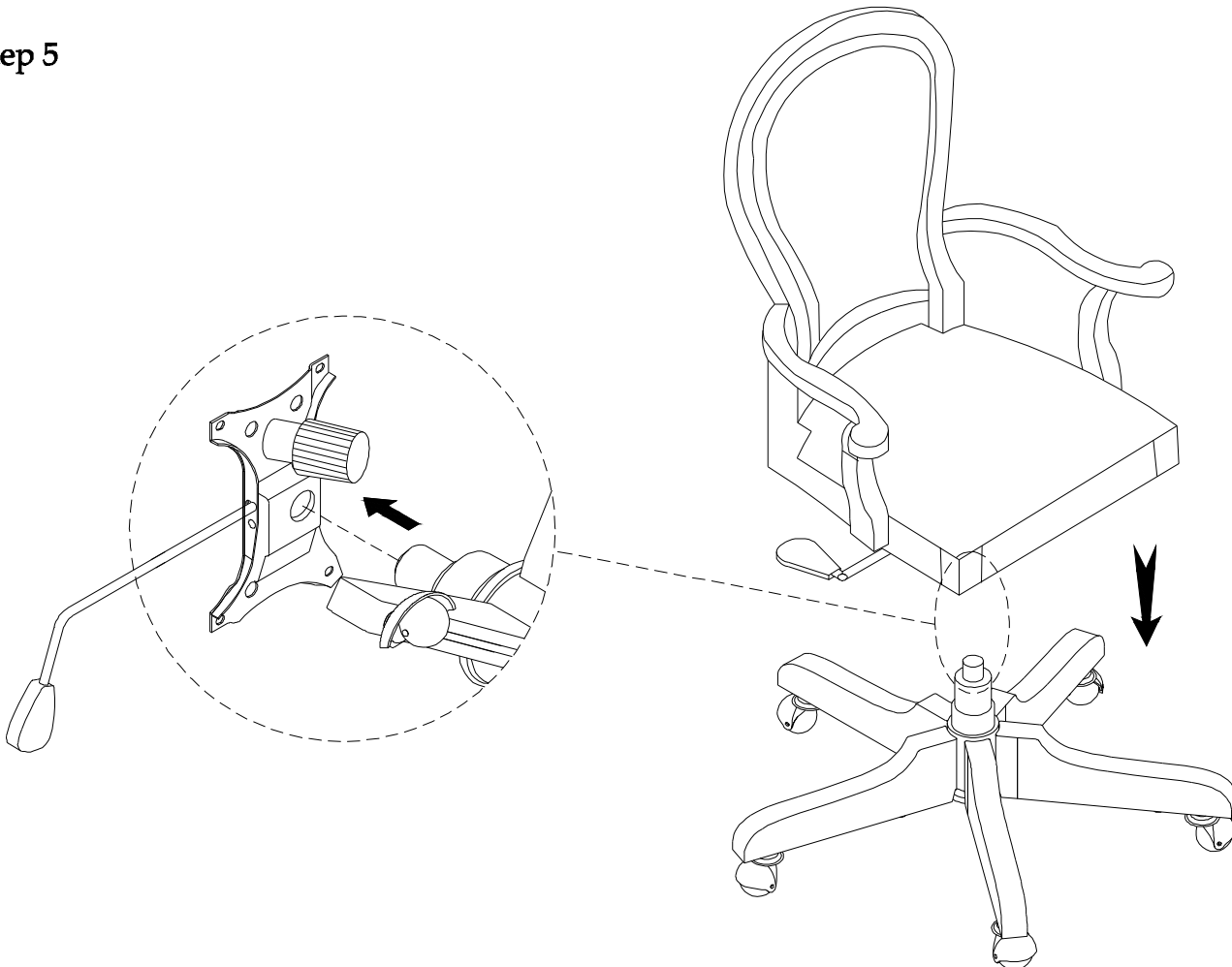
Step 3



Step 4



Step 5



Note: To prevent possible damage to some types of flooring, never roll casters on unprotected hardwood or vinyl flooring. The lift mechanism is in a locked position for shipping. To unlock, pull straight out on the handle, and then the lift cylinder can be activated by lifting the handle.