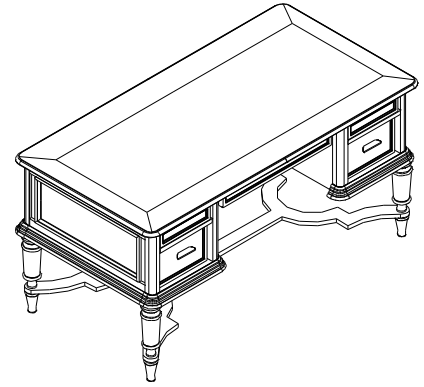



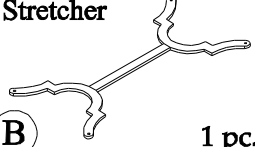


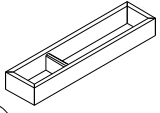
Warning :

- Be sure to check all packing material carefully for small parts, which may have come loose inside the carton during shipment.
- To prevent possible scratches and damage, this furniture **MUST BE ASSEMBLED BY TWO PEOPLE** on a soft surface such as a blanket or carpet.

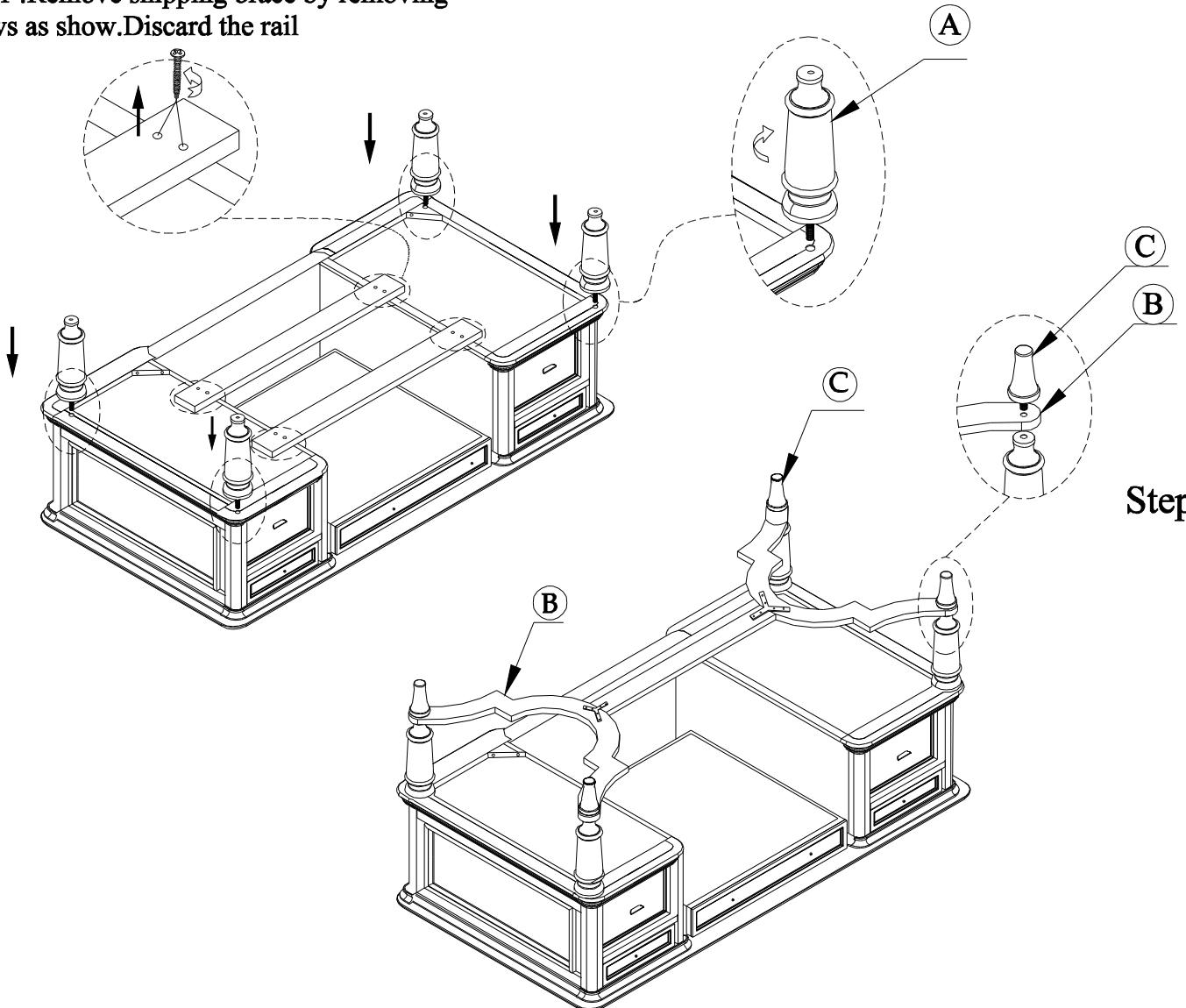


47230
Writing Desk

Components and Hardware List

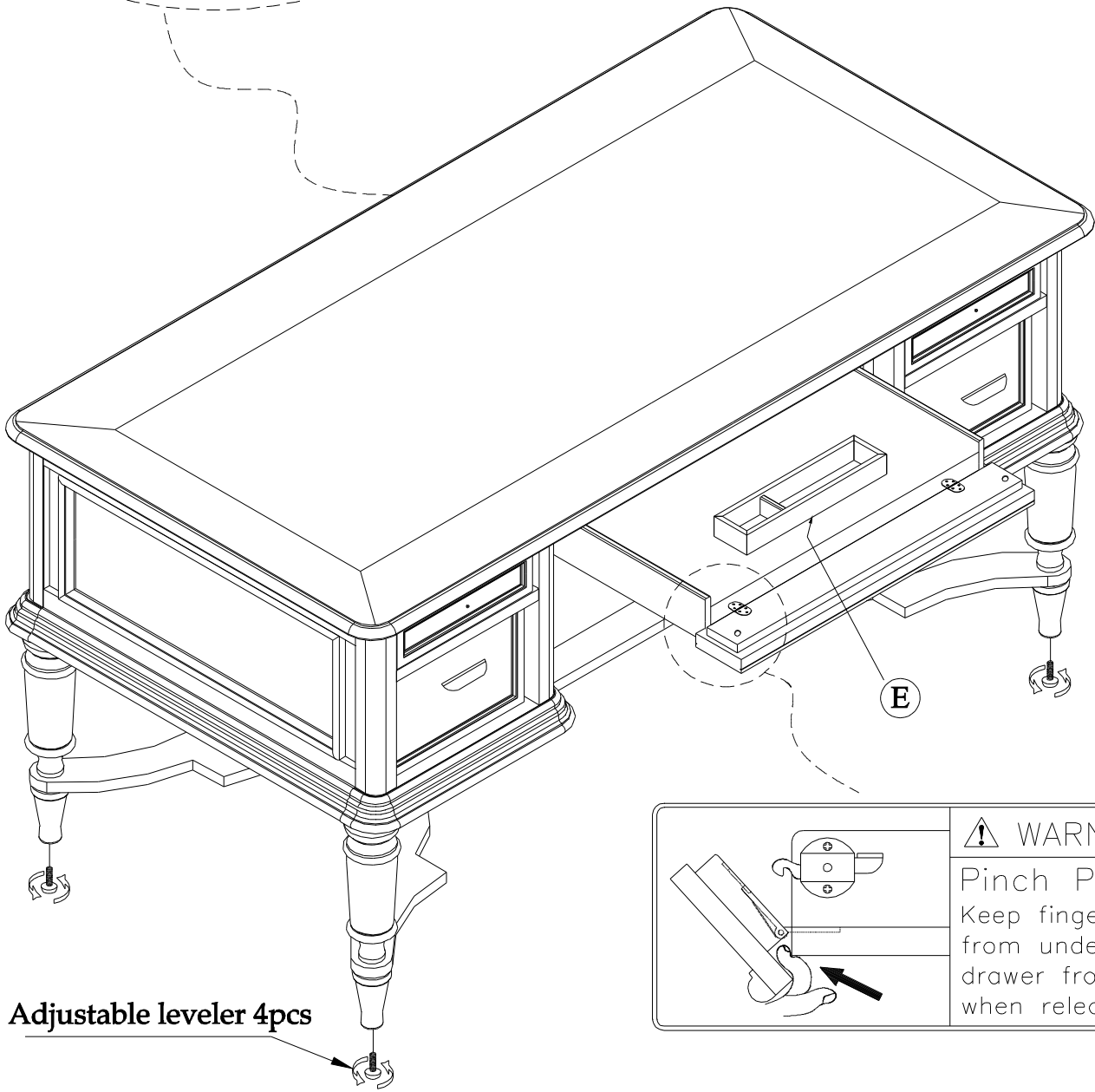
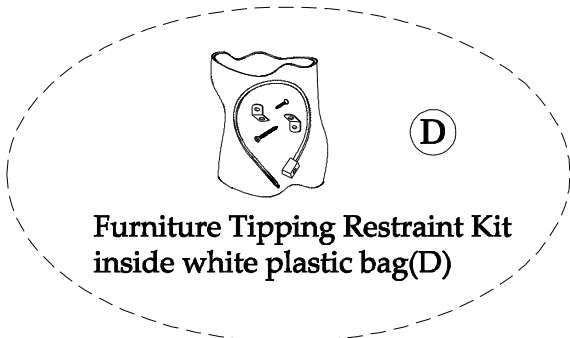
<p>leg</p>  <p>(A) 4 pcs.</p>	<p>Wood frame Stretcher</p>  <p>(B) 1 pc.</p>	<p>Bun Feet</p>  <p>(C) 4 pcs.</p>	<p>Furniture Tip Restraint Kit</p>  <p>(D) 1 pc.</p>
<p>Pencil Tray</p>  <p>(E) 1 pc.</p>			

Step 1 :Remove shipping brace by removing screws as show.Discard the rail



Step 2

Step 3



	<p>⚠ WARNING Pinch Point. Keep fingers from underneath drawer front when releasing.</p>
--	--

For product and personal safety, a Furniture Tipping Restraint kit has been included with this unit which can help to minimize the risk of the unit accidentally tipping forward, if used and properly installed per the manufacturer's instructions.