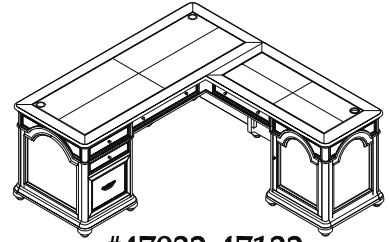


Components and Hardware List

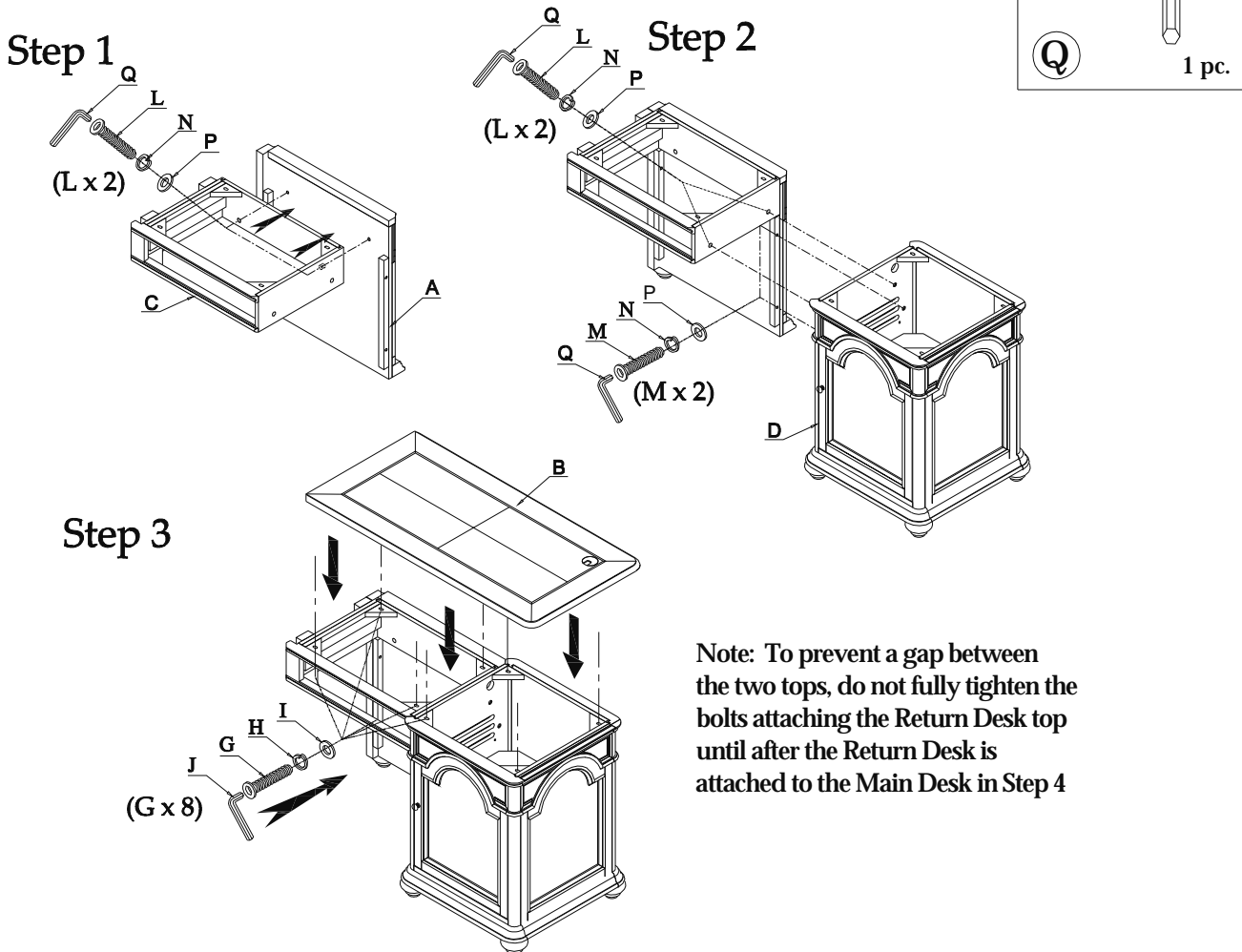


#47032-47132

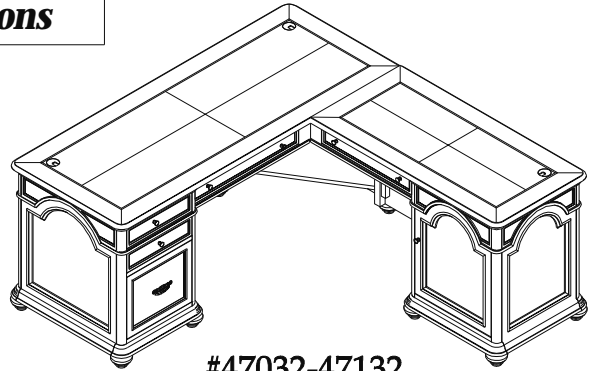
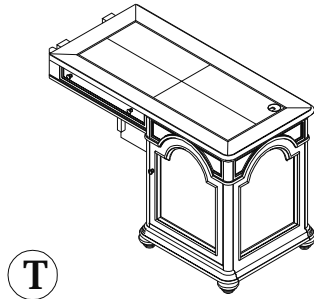
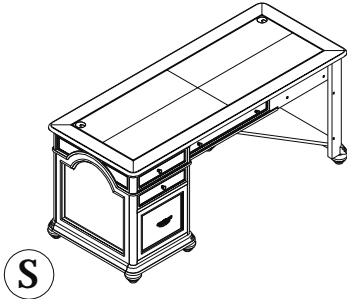
L Desk & Return

Return Desk Back Panel A 1 pc.	Return Desk Top Panel B 1 pc.	Knee-Hole Section C 1 pc.	Pedestal D 1 pc.	Bun Feet E 11 pcs.	Pencil Tray F 2 pcs.	M1/4"-20 x 1-3/8" Allen Head Bolt G 8 pcs.	M1/4" Spring Washer H 8 pcs.	M1/4" *19*2mm Flat Washer I 8 pcs.
4mm Allen Wrench J 1 pc.	M5/16"-18 x 2-3/4" Allen Head Bolt K 4 pcs.	M5/16"-18 x 1-1/4" Allen Head Bolt L 4 pcs.	M5/16"-18 x 1-3/4" Allen Head Bolt M 2 pcs.	M5/16" Spring Washer N 10 pcs.	M5/16" *19*2mm Flat Washer P 10 pcs.	5mm Allen Wrench Q 1 pc.		

Be sure to check all packing material carefully for small parts, which may have come loose inside the carton during shipment.

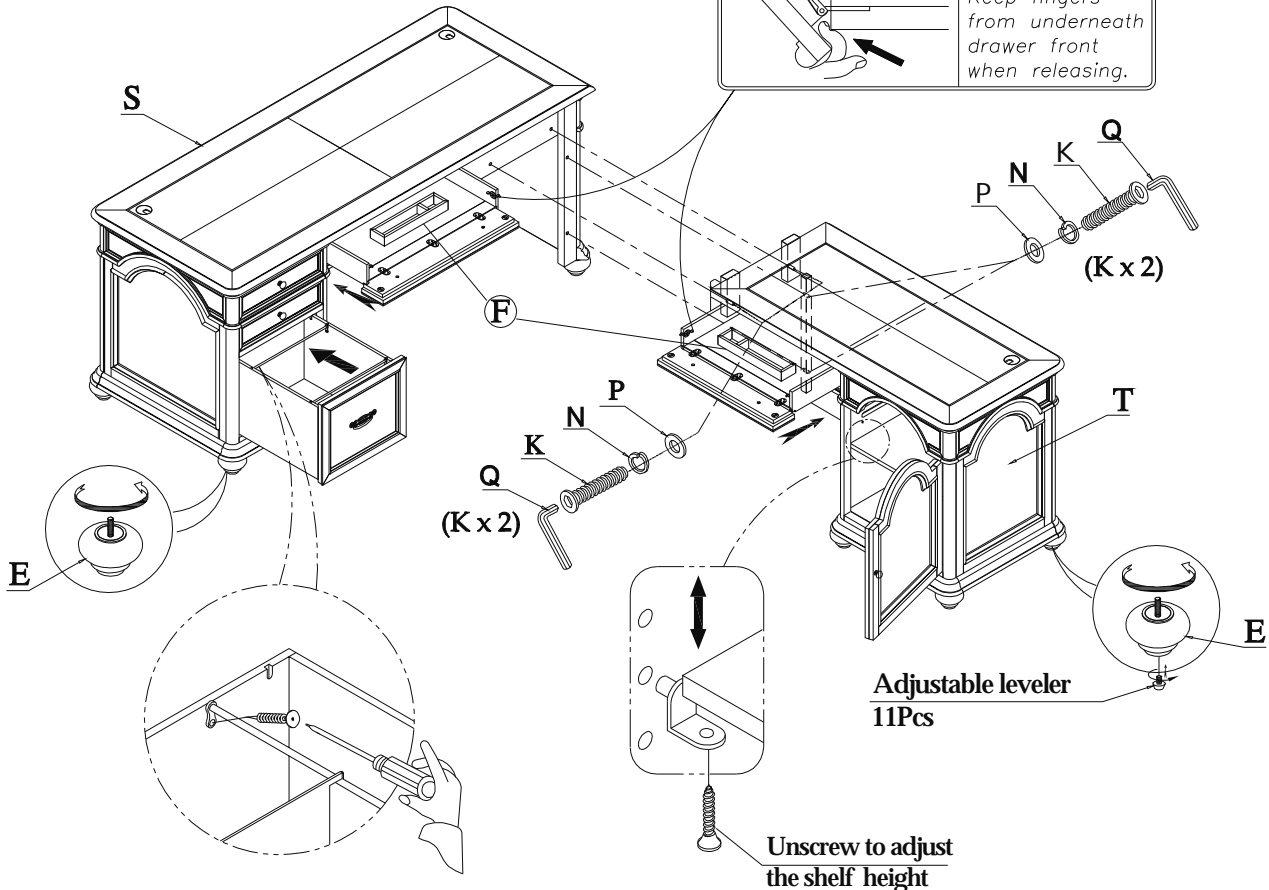
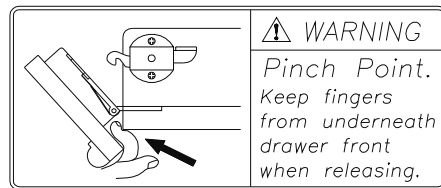


Note: To prevent a gap between the two tops, do not fully tighten the bolts attaching the Return Desk top until after the Return Desk is attached to the Main Desk in Step 4



#47032-47132
L Desk & Return

Step 4



The Drawer Can be set up to use either Letter or Legal size hanging file folders using the File Rods installed in the file drawers

The levelers in the bottom of the bun feet can be adjusted if necessary to compensate for uneven flooring.