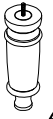


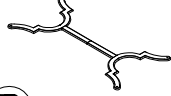
Components and Hardware List

Leg



A 4 pcs.

Wood frame
Stretcher



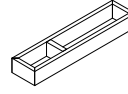
B 1 pc.

Bun Feet

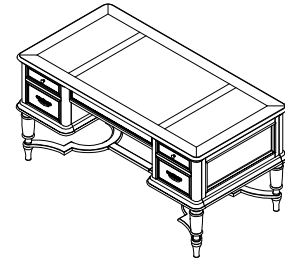


C 4 pcs.

Pencil Tray

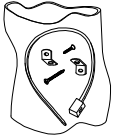


D 1 pc.



#47030-47130
Writing Desk

Furniture Tip
Restraint Kit

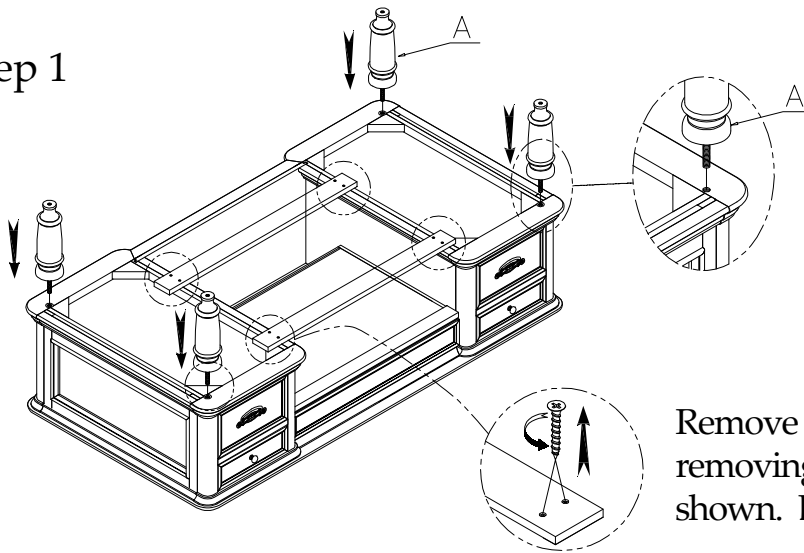


E 1 pc.

Be sure to check all packing material carefully for small parts, which may have come loose inside the carton during shipment.

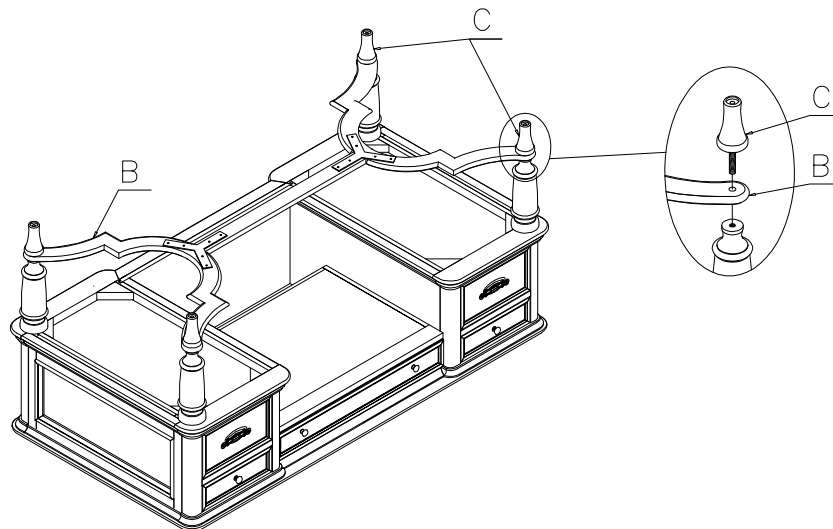
Place the writing desk upside down on a clean and soft surface for assembly.

Step 1

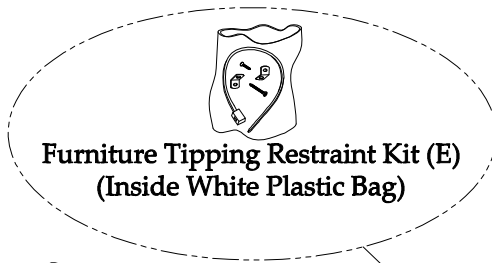


Remove the shipping braces by removing 4 screws from each as shown. Discard the rails.

Step 2



For product and personal safety, a Furniture Tipping Restraint kit has been included with this unit which can help to minimize the risk of the unit accidentally tipping forward, if used and properly installed per the manufacturer's instructions.



Step 3

