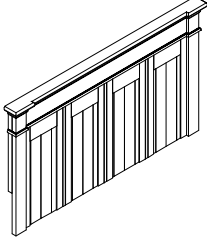
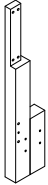

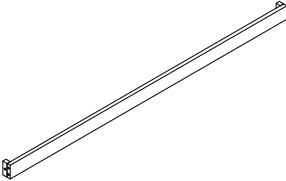
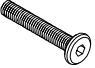
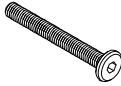





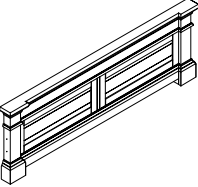


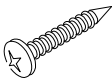
Warning :

- Be sure to check all packing material carefully for small parts, which may have come loose inside the carton during shipment.
- To prevent possible scratches and damage, this furniture **MUST BE ASSEMBLED BY TWO PEOPLE** on a soft surface such as a blanket or carpet.

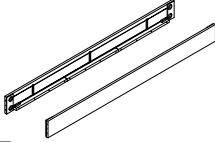


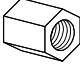


Hardware and Parts packed with the Headboard

<p>Panel Headboard - 46670</p>  <p>(H-A) 1 pc.</p>	<p>Headboard Post (Left)</p>  <p>(H-B) 1 pc.</p>	<p>Headboard Post (Right)</p>  <p>(H-C) 1 pc.</p>	<p>Headboard Post (Stretcher)</p>  <p>(H-D) 1 pc.</p>	
<p>Ø5/16" x 1-9/16" Allen Head Bolt</p>  <p>(H-E) 2 pcs.</p>	<p>Ø5/16" x 2" Allen Head Bolt</p>  <p>(H-F) 8 pcs.</p>	<p>Ø5/16" Spring Washer</p>  <p>(H-G) 10 pcs.</p>	<p>Ø5/16" x Ø19mm Flat Washer</p>  <p>(H-H) 10 pcs.</p>	<p>4mm Allen key</p>  <p>(H-I) 1 pc.</p>

Hardware and Parts packed with the Footboard

<p>Panel Footboard - 46671</p>  <p>(F-A) 1 pc.</p>	<p>Slats</p>  <p>(F-B) 5 pcs.</p>	<p>Support leg</p>  <p>(F-C) 5 pcs.</p>	<p>Screw Ø4 x 1-3/16"</p>  <p>(F-D) 10 pcs.</p>
---	--	--	---

Hardware and Parts packed with the Bed Rails

<p>Bed Rails - 46672</p>  <p>(R-A) 2 pcs.</p>	<p>Ø5/16" Curved Washer</p>  <p>(R-B) 8 pcs.</p>	<p>Ø5/16" Spring Washer</p>  <p>(R-C) 8 pcs.</p>	<p>Ø5/16" x 17mm Nut</p>  <p>(R-D) 8 pcs.</p>	<p>Ø5/16" x 3-5/32" All - Thread Bolt</p>  <p>(R-E) 8 pcs.</p>	<p>12 mm Open Wrench</p>  <p>(R-F) 1 pc.</p>
--	--	--	---	---	---

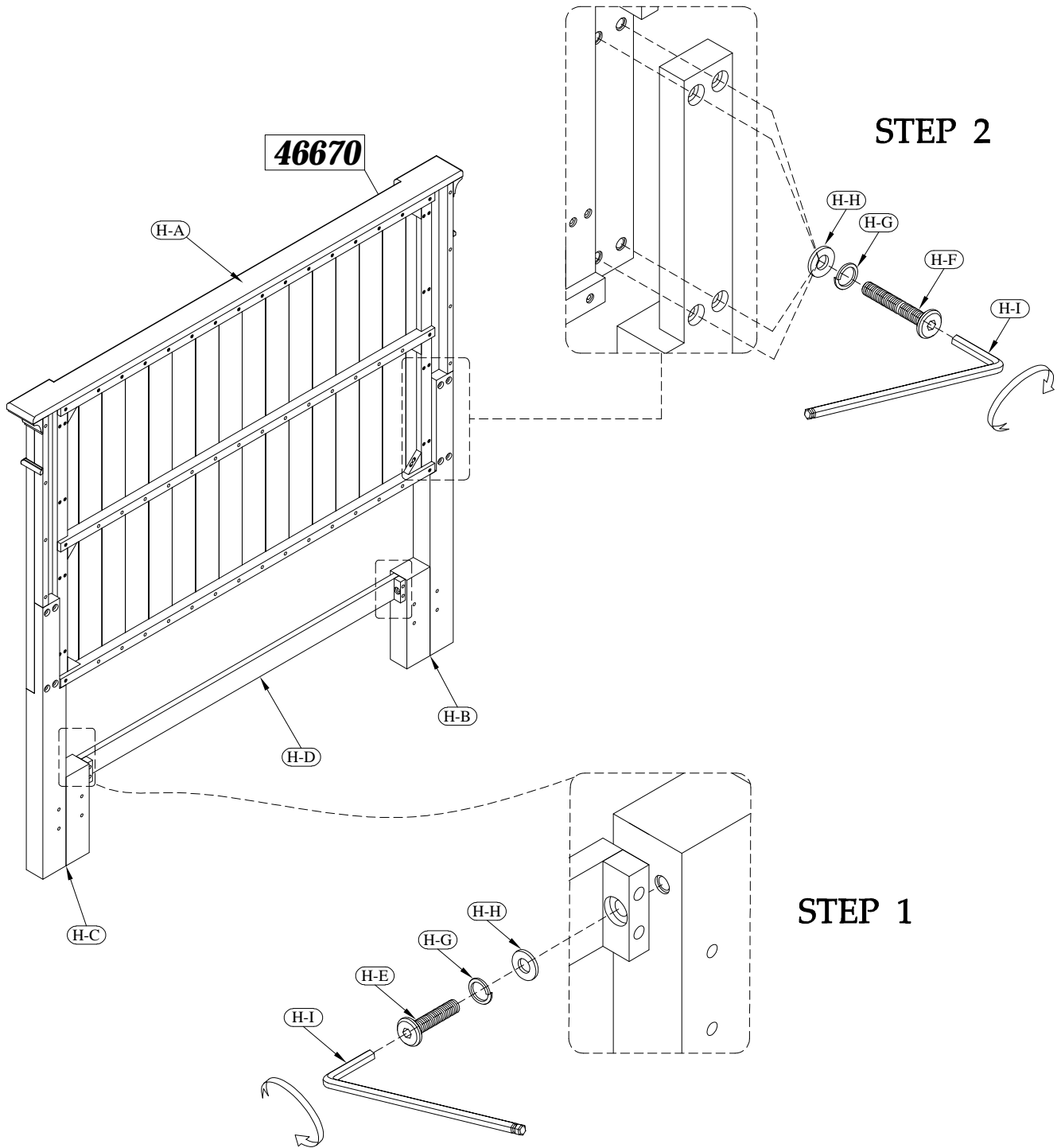
5/0 Queen panel Bed

46670 -- 4/6-5/0 Panel Headboard

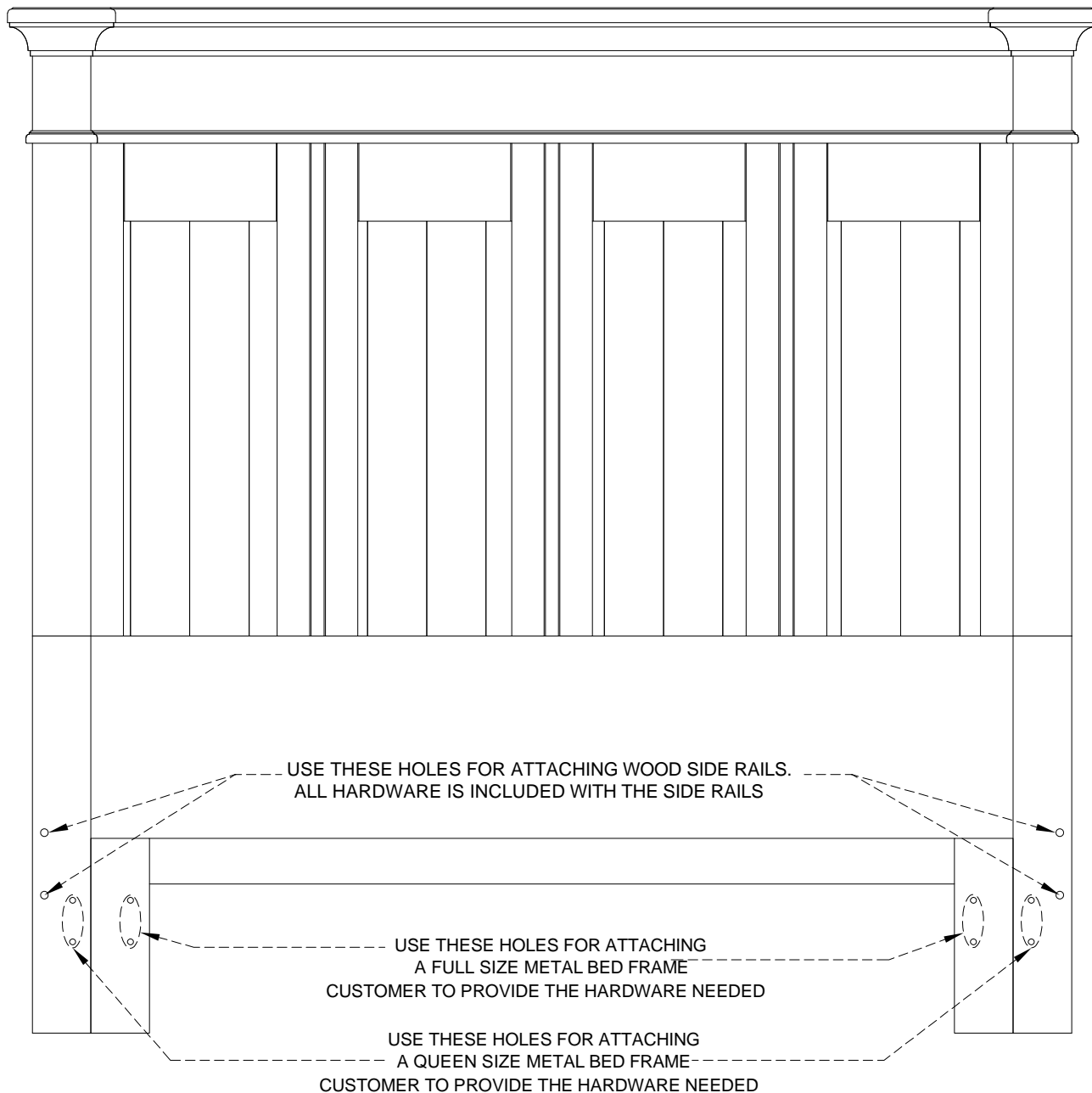
46671 -- 5/0 Panel Footboard

46672 -- 5/0-6/6 Bed Side Rails

**5/0 Queen Bed
46670 -- 4/6-5/0 Panel Headboard**



5/0 Queen Bed
46670 -- 4/6-5/0 Panel Headboard



5/0 Bed
**THE HEADBOARD MAY BE USED ALONE WITH
A QUEEN OR FULL SIZE METAL BED FRAME.**

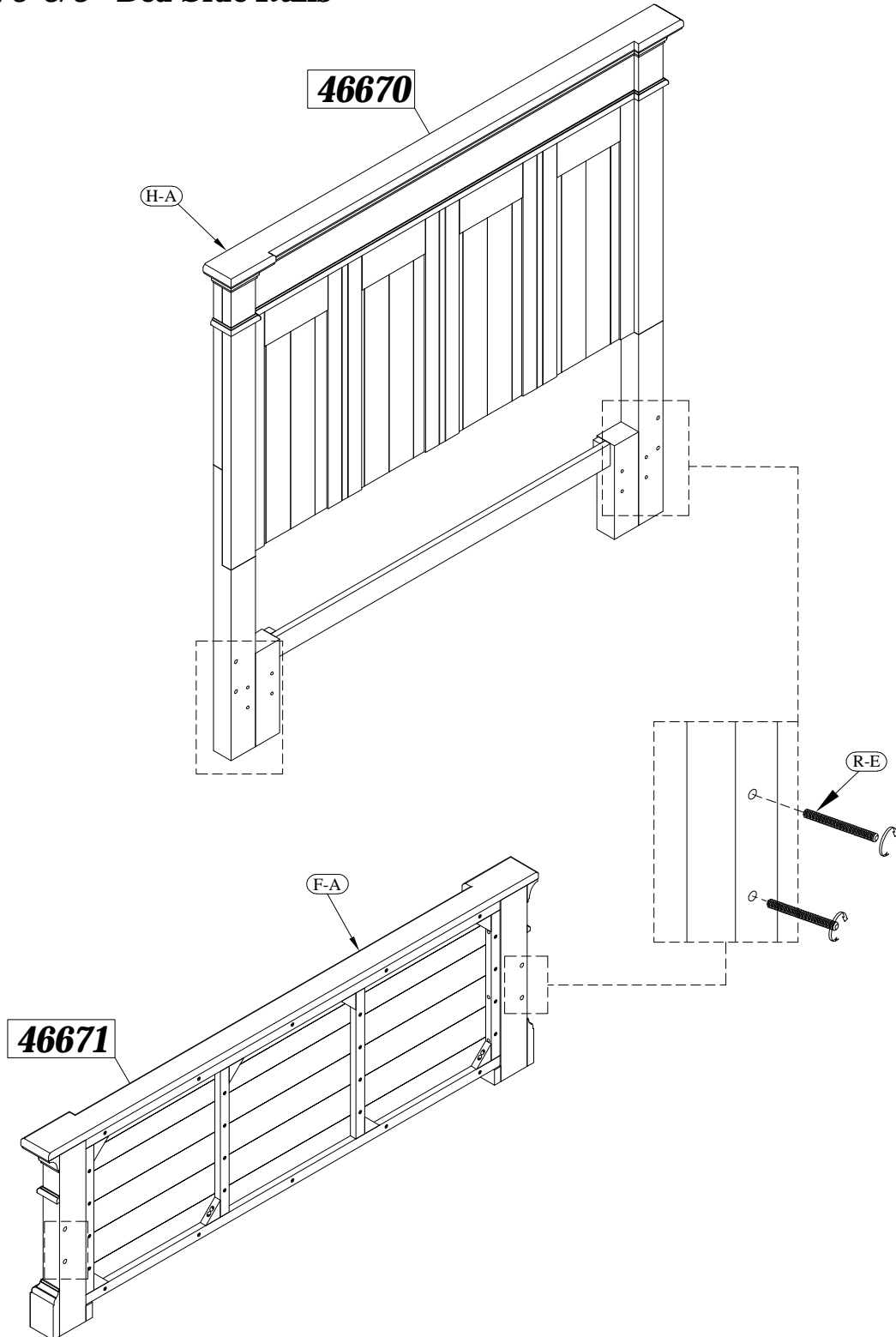
5/0 Queen panel Bed

46670 -- 4/6-5/0 Panel Headboard

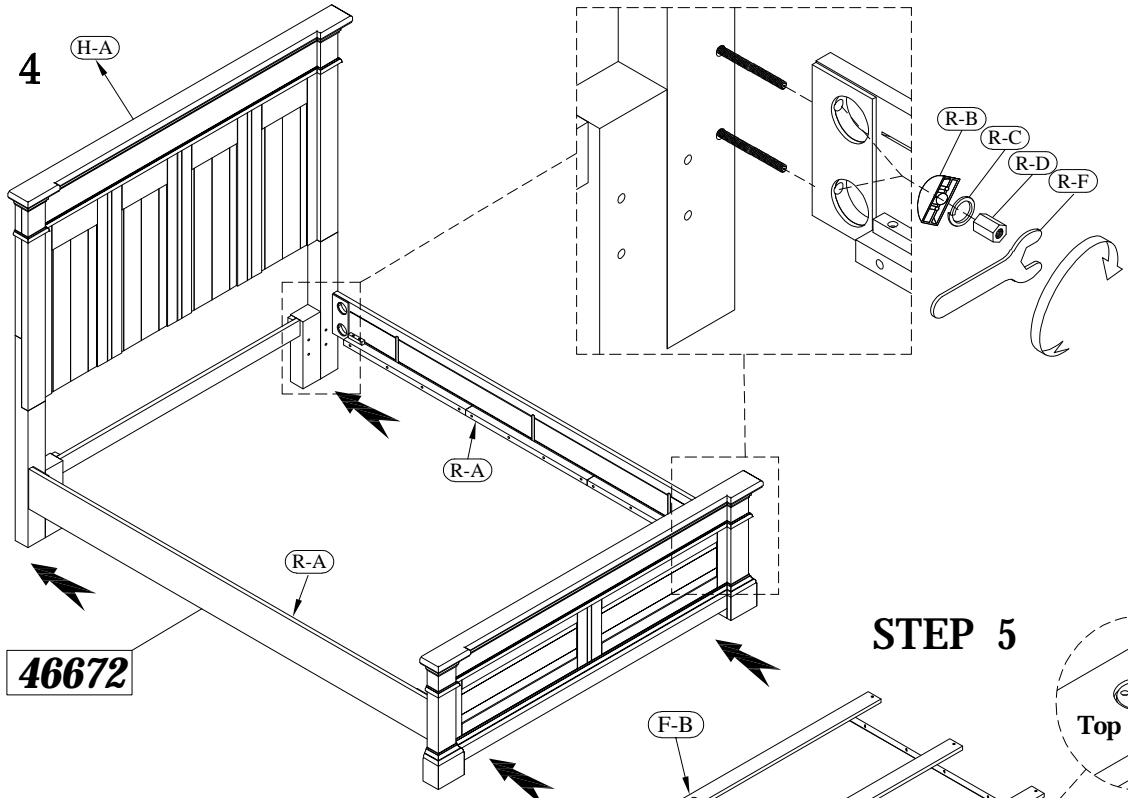
46671 -- 5/0 Panel Footboard

46672 -- 5/0-6/6 Bed Side Rails

STEP 3

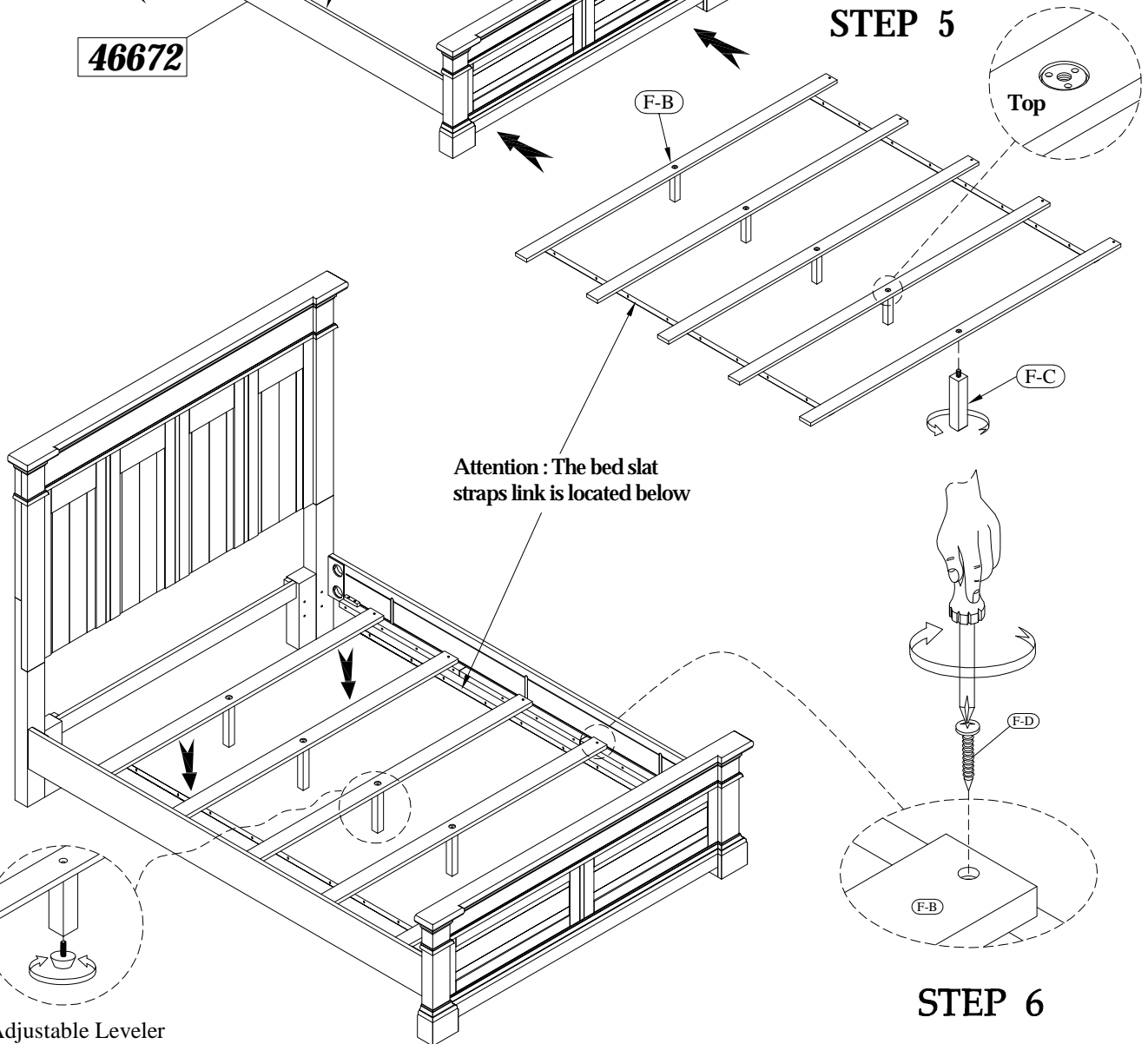


STEP 4



46672

STEP 5



STEP 6