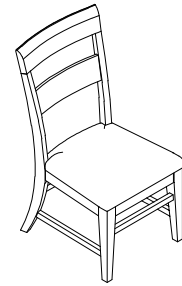


**Warning :**

- Be sure to check all packing material carefully for small parts, which may have come loose inside the carton during shipment.
- To prevent possible scratches and damage, this furniture must be assembled on a soft surface such as a blanket or carpet.

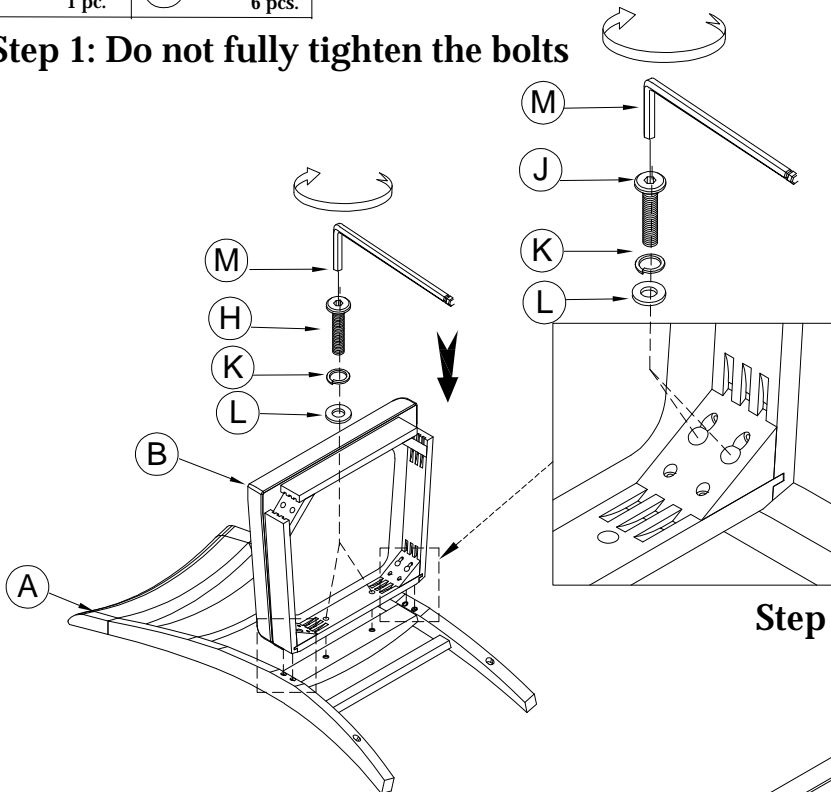


**46658**  
**Uph Seat Side Chair**

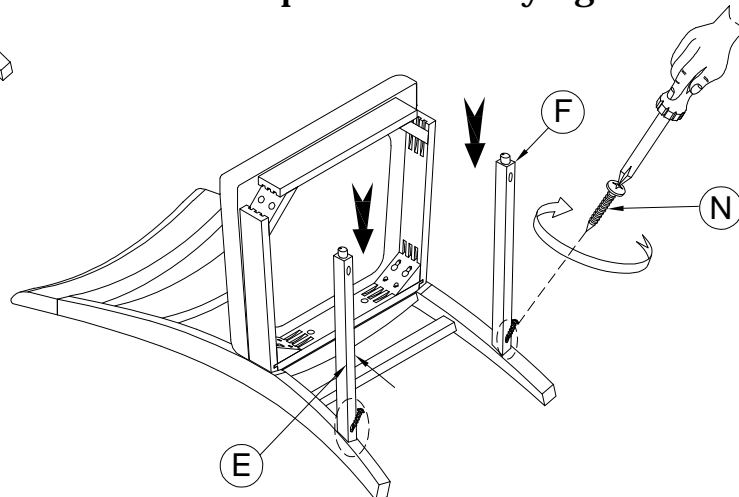
**Components and Hardware List**

<p>Chair Back</p> <p>(A) 1 pc.</p>	<p>Seat Frame</p> <p>(B) 1 pc.</p>	<p>Front Leg (Left)</p> <p>(C) 1 pc.</p>	<p>Front Leg (Right)</p> <p>(D) 1 pc.</p>	<p>Side Stretcher (Left)</p> <p>(E) 1 pcs.</p>		
<p>Side Stretcher (Right)</p> <p>(F) 1 pcs.</p>	<p>Front Stretcher</p> <p>(G) 1 pc.</p>	<p>Ø5/16" x 1-1/2" Allen Head Bolt</p> <p>(H) 2 pcs.</p>	<p>Ø5/16" x 2-3/8" Allen Head Bolt</p> <p>(I) 4 pcs.</p>	<p>Ø5/16" x 3-1/8" Allen Head Bolt</p> <p>(J) 4 pcs.</p>	<p>Ø5/16" Spring Washer</p> <p>(K) 10 pcs.</p>	<p>Ø5/16" x Ø19mm Flat Washer</p> <p>(L) 10 pcs.</p>
<p>5 mm Allen Key</p> <p>(M) 1 pc.</p>	<p>Ø9 x 1-3/4" Screw</p> <p>(N) 6 pcs.</p>					

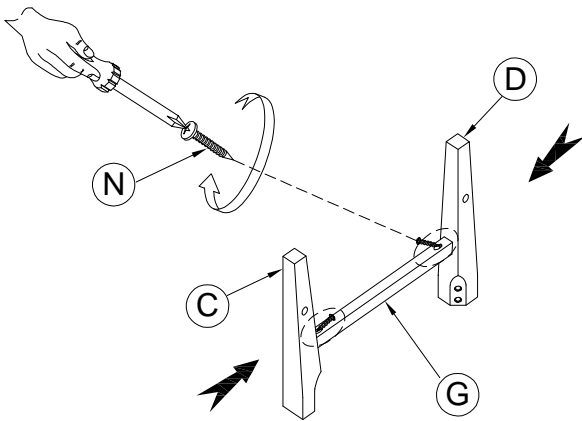
**Step 1: Do not fully tighten the bolts**



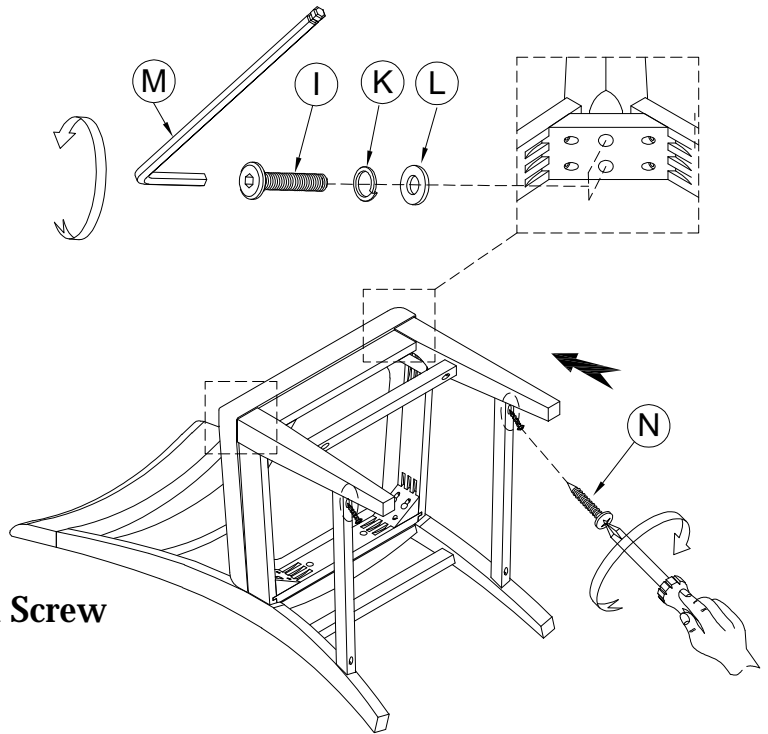
**Step 2: Do not fully tighten the screw**



**Step 3**



**Step 4: Using the Allen Key to tighten all bolts**



**Step 5: Using a Philips Head Screw driver to tighten all screws**

**Complete**

