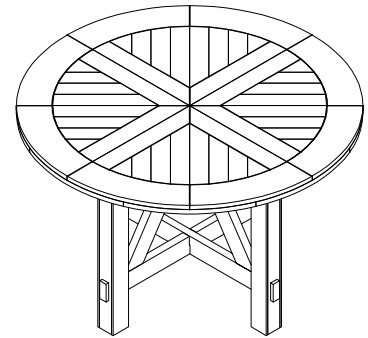


Warning :

- Be sure to check all packing material carefully for small parts, which may have come loose inside the carton during shipment.
- To prevent possible scratches and damage, this furniture **MUST BE ASSEMBLED BY TWO PEOPLE** on a soft surface such as a blanket or carpet.



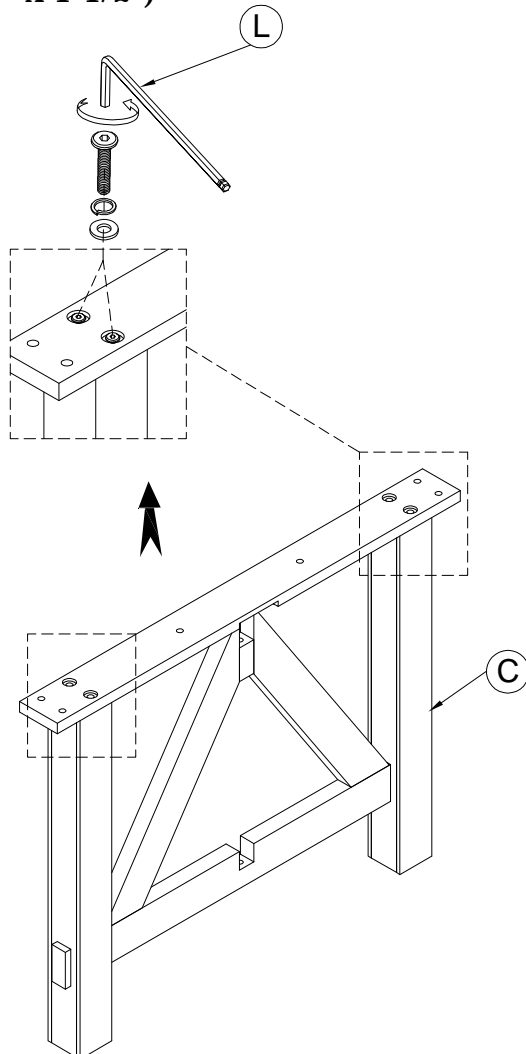
46652

Round Dining Table

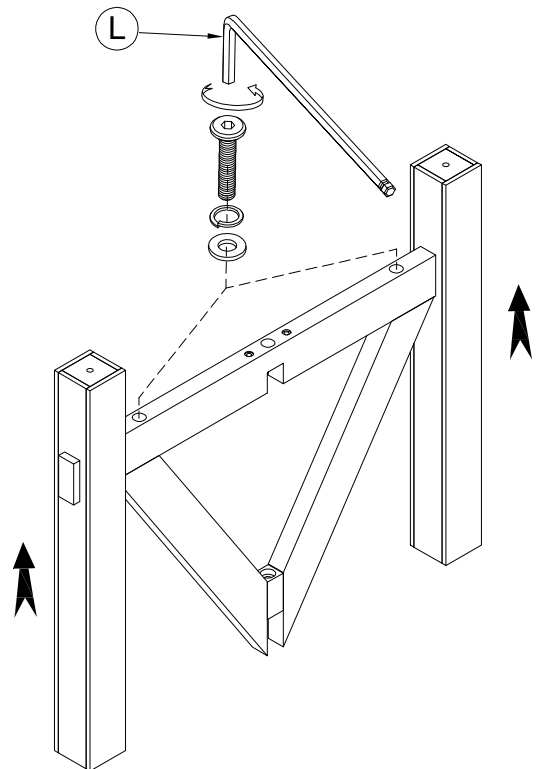
Components and Hardware List

Table Top	Frame Leg 1	Frame Leg 2	Metal Bracket
1 pc.	1 pc.	1 pc.	1 pc.
13 pcs.	1 pcs.	14 pcs.	14 pcs.
4 pcs.	4 pcs.	4 pcs.	1 pc.

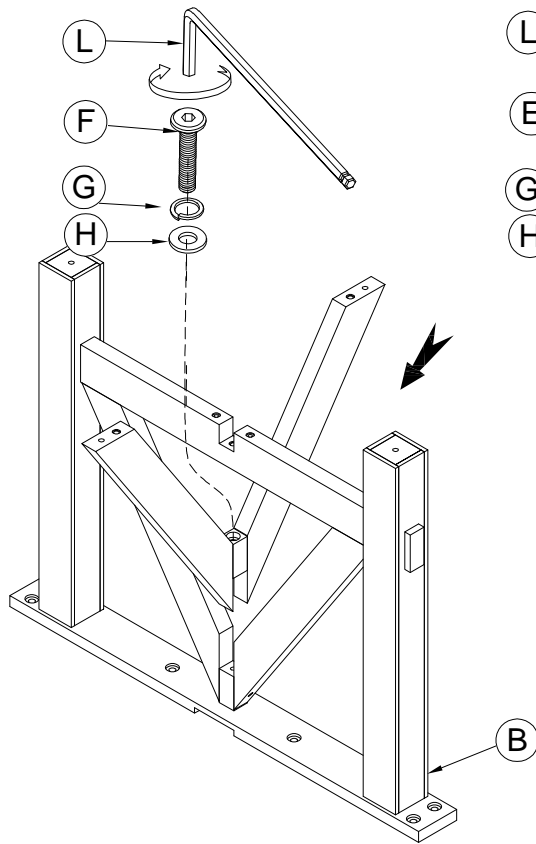
Step 1: Remove Leg top support (Bolts Ø5/16" x 1-1/2")



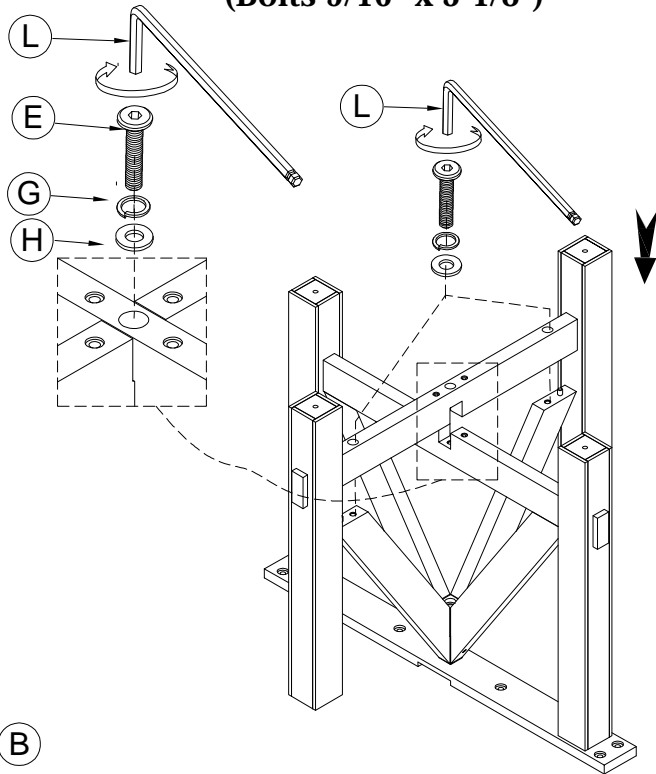
Step 2: Remove Leg stretcher (Bolts Ø5/16" x 3-1/8")



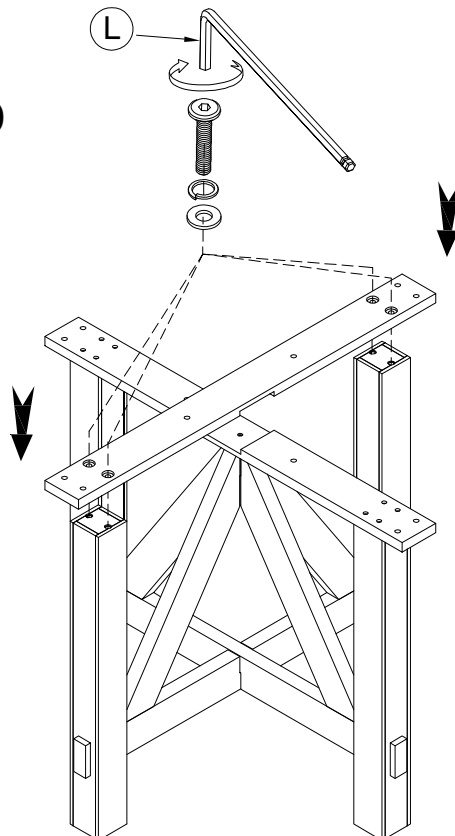
Step 3: Assemble Leg Stretcher



Step 4: Assemble Leg Frame
(Bolts 5/16" x 3-1/8")

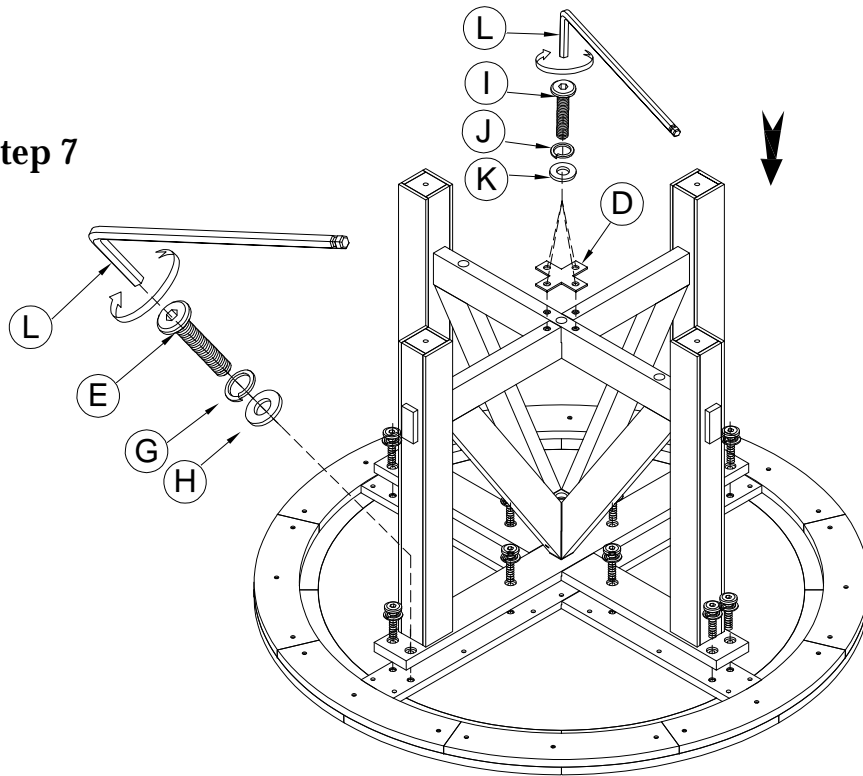


Step 5: Assemble Leg Top
support (Bolts 5/16" x 1 - 1/2")



Step 6

Step 7



COMPLETE

