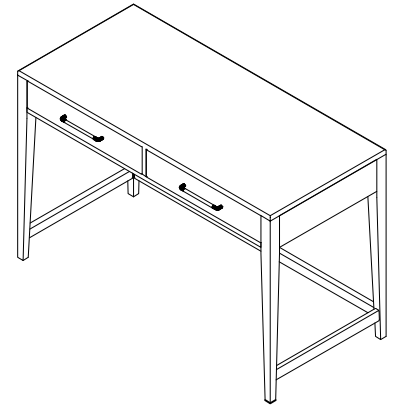


**Warning :**

- Be sure to check all packing material carefully for small parts, which may have come loose inside the carton during shipment.
- To prevent possible scratches and damage, this furniture **MUST BE ASSEMBLED BY TWO PEOPLE** on a soft surface such as a blanket or carpet.

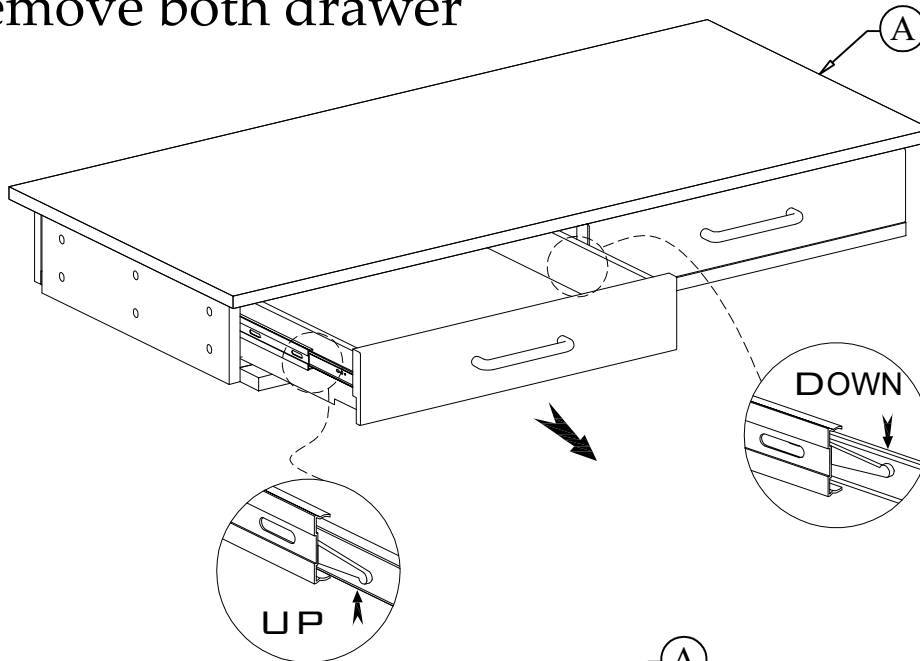


**46230**  
**Writing Desk**

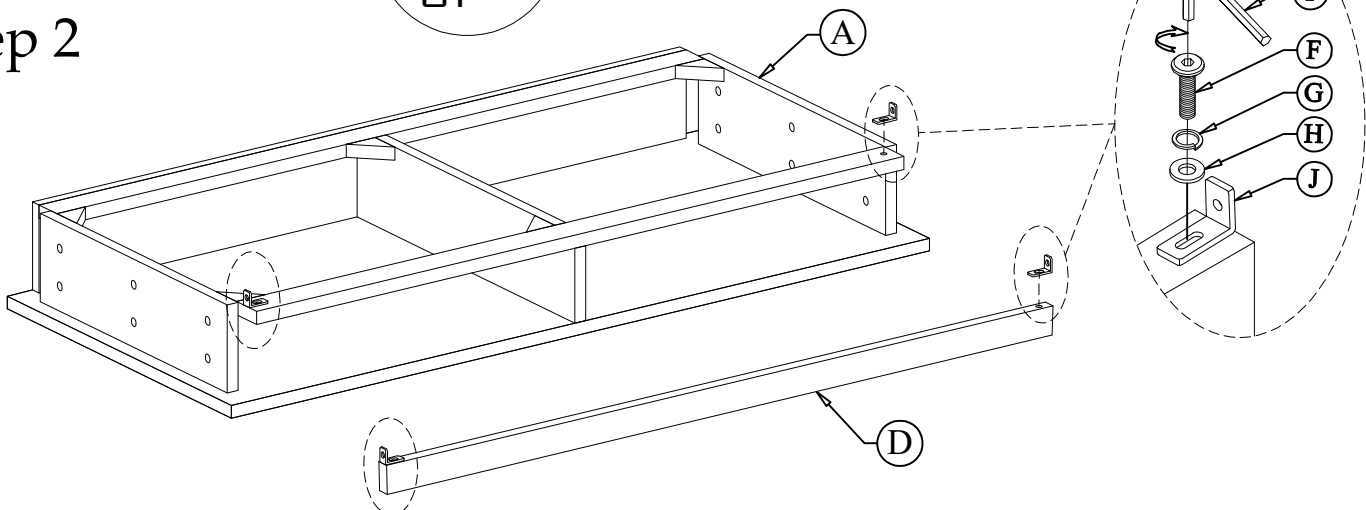
**Components and Hardware List**

<p>Desk Top 1 pc.</p>	<p>Leg Frame (Left) 1 pc.</p>	<p>Leg Frame (Right) 1 pc.</p>	<p>Back Stretcher 1 pc.</p>	<p>Allen Head Bolt Ø5/16 x 1-3/8" 12 pcs.</p>	
<p>Allen Head Bolt Ø5/16 x 5/8" 8 pcs.</p>	<p>Spring Washer Ø5/16 x Ø14 20 pcs.</p>	<p>Flat Washer Ø5/16 x Ø18 20 pcs.</p>	<p>4mm Allen Key 1 pc.</p>	<p>'L' Bracket 4 pcs.</p>	<p>Furniture Tipping Restraint Kit 1 pc.</p>

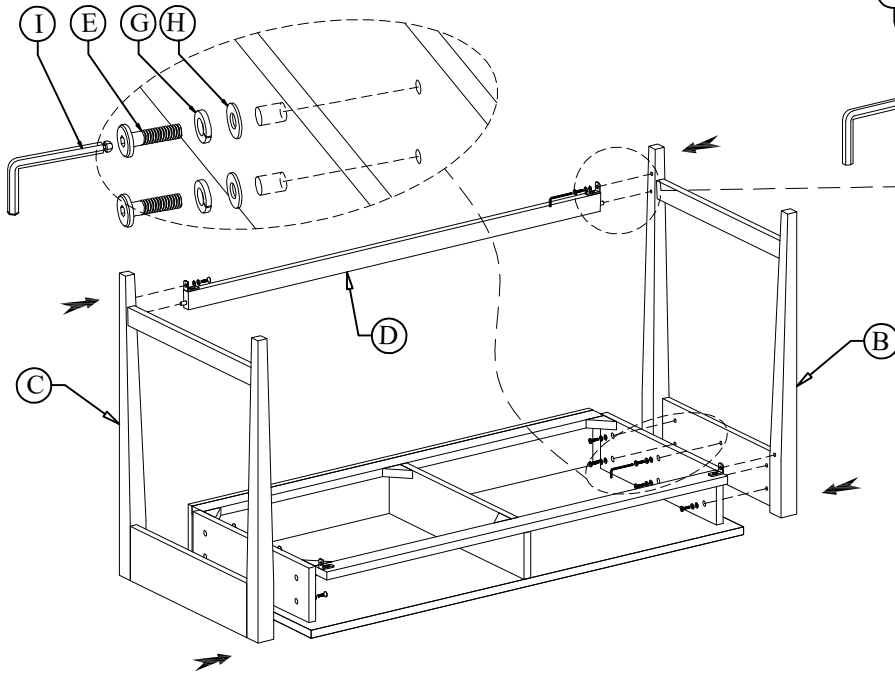
**Step 1: Remove both drawer**



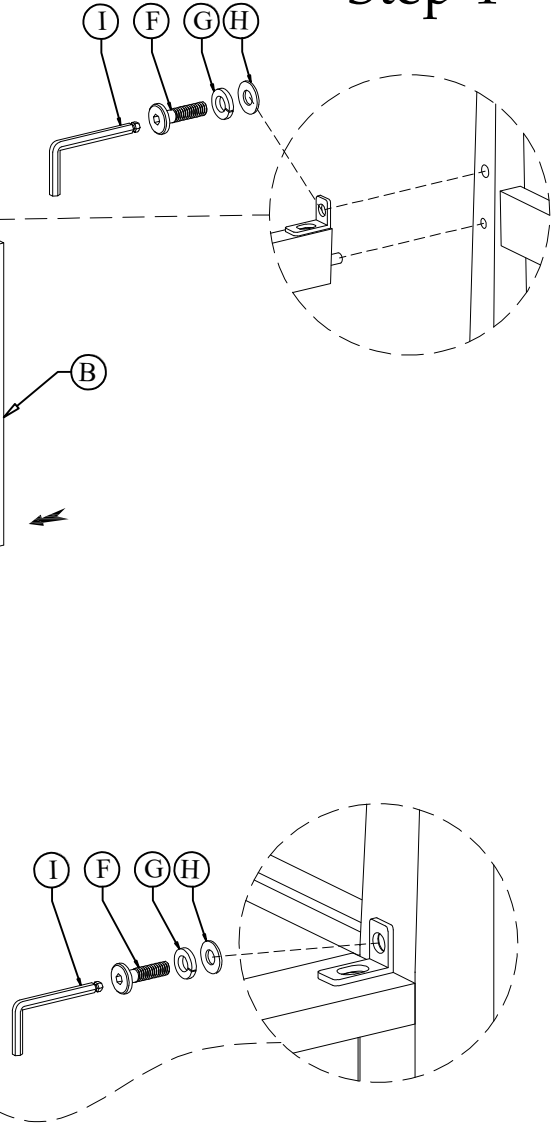
**Step 2**



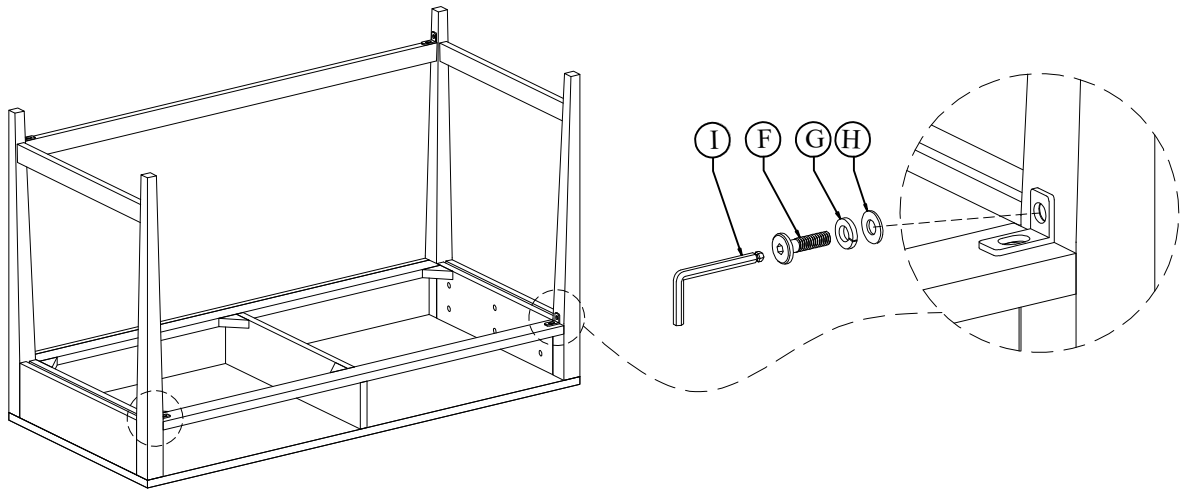
### Step 3



### Step 4



### Step 5



### Step 6

