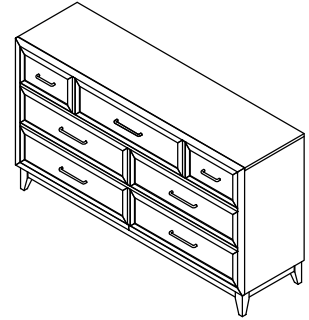


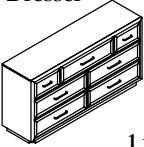
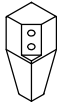
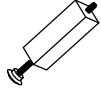


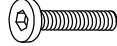


Warning :

- Be sure to check all packing material carefully for small parts, which may have come loose inside the carton during shipment.
- To prevent possible scratches and damage, this furniture **MUST BE ASSEMBLED BY TWO PEOPLE** on a soft surface such as a blanket or carpet.

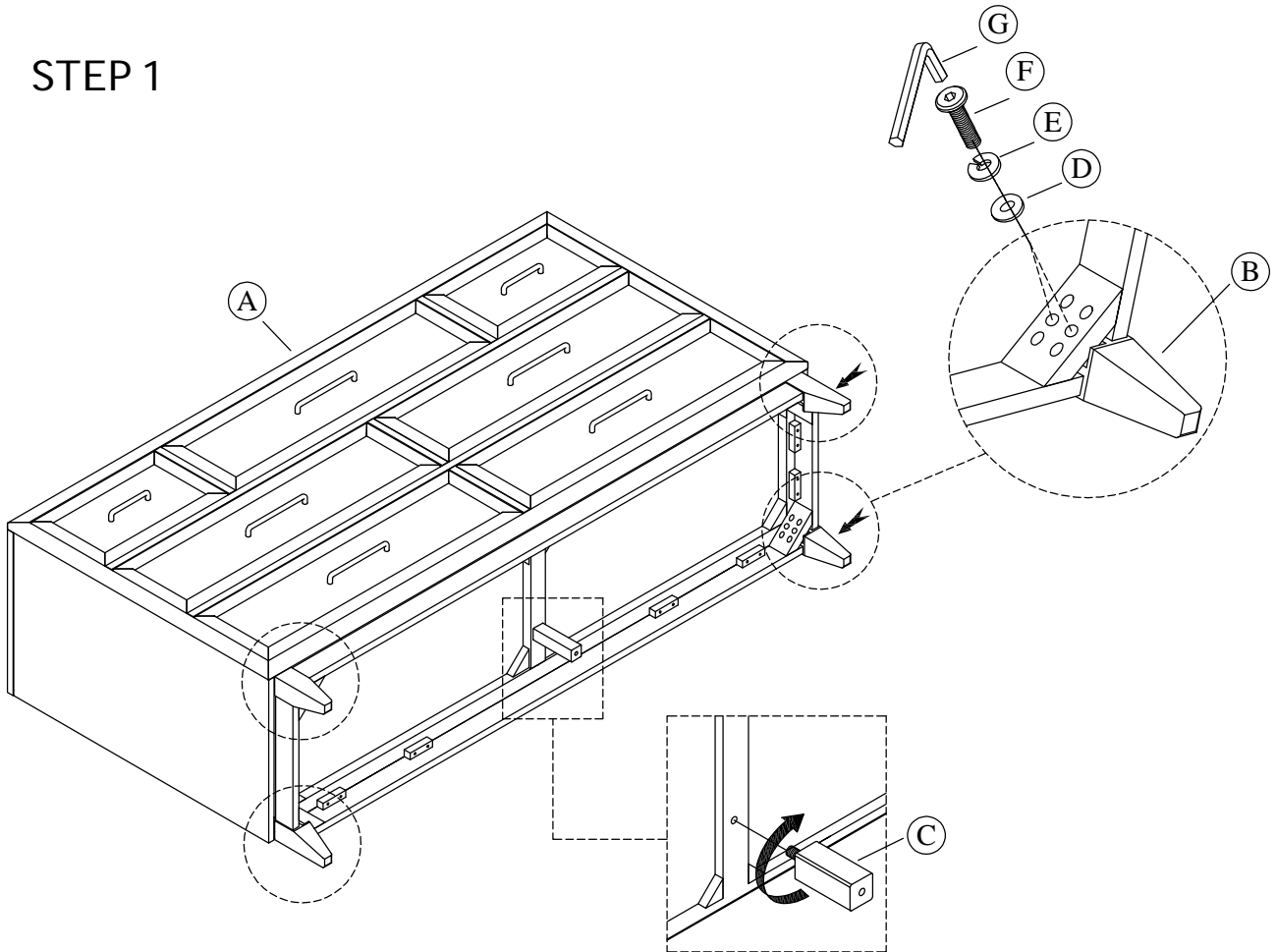


46162
7-Drawer Dresser

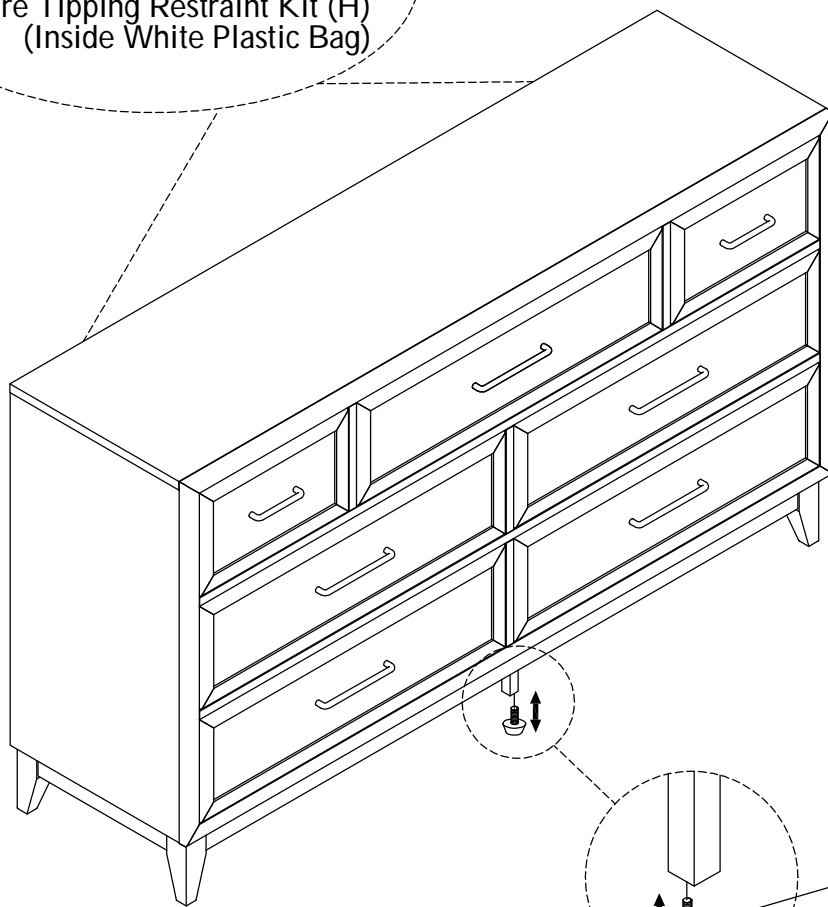
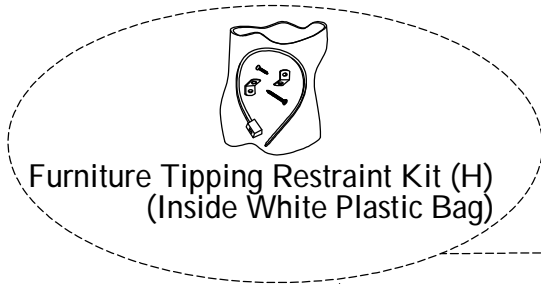
Components and Hardware List

<p>A Dresser 1 pc.</p> 	<p>B Leg 4 pcs.</p> 	<p>C Center Support Leg 1 pc.</p> 	<p>D Ø5/16" x 19*2mm Flat Washer 8 pcs.</p> 
<p>E Ø5/16" Spring Washer 8 pcs.</p> 	<p>F Ø5/16"x 18 x 2" Allen Head Bolt 8 pcs.</p> 	<p>G 5mm Allen Key 1 pc.</p> 	<p>H Furniture Tipping Restraint Kit 2 set.</p> 

STEP 1



STEP 2



For product and personal safety, two Furniture Tipping Restraint kits have been included with this unit which can help to minimize the risk of the unit accidentally tipping forward, if used and properly installed per the kit manufacturer's instructions.