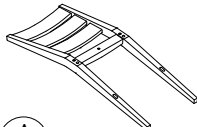
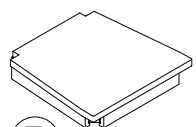
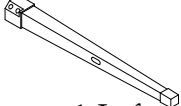

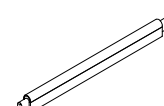
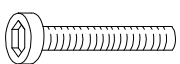
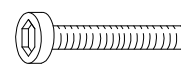




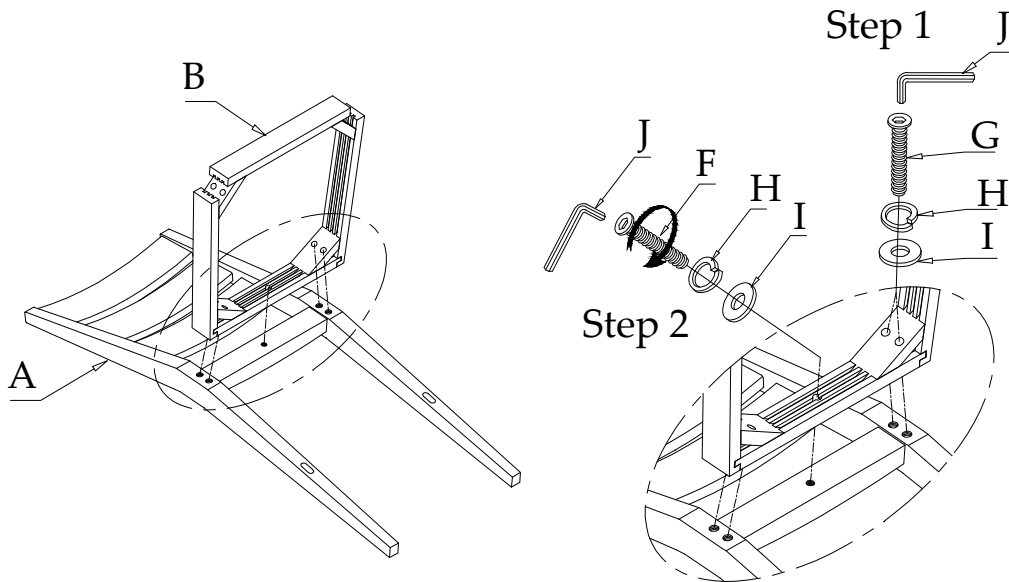


Components and Hardware List (for one chair)

<p>Chair Back</p>  <p>(A) 1 pc.</p>	<p>Chair Seat</p>  <p>(B) 1 pc.</p>	<p>Front Leg</p>  <p>(C) 1-Left 1-Right</p>	<p>Side Stretcher</p>  <p>(D) 1-Left 1-Right</p>
<p>Front Stretcher</p>  <p>(E) 1 pc.</p>	<p>M5/16"-18 x 2" Allen Head Bolt</p>  <p>(F) 5 pcs.</p>	<p>M5/16"-18 x 3" Allen Head Bolt</p>  <p>(G) 4 pcs.</p>	<p>5/16" Spring Washer</p>  <p>(H) 9 pcs.</p>
<p>5/16" x 19 x 2mm Flat Washer</p>  <p>(I) 9 pcs.</p>	<p>5mm Allen Wrench</p>  <p>(J) 1 pc.</p>	<p>#8 x 1-1/4" Wood Screw</p>  <p>(K) 6 pcs.</p>	

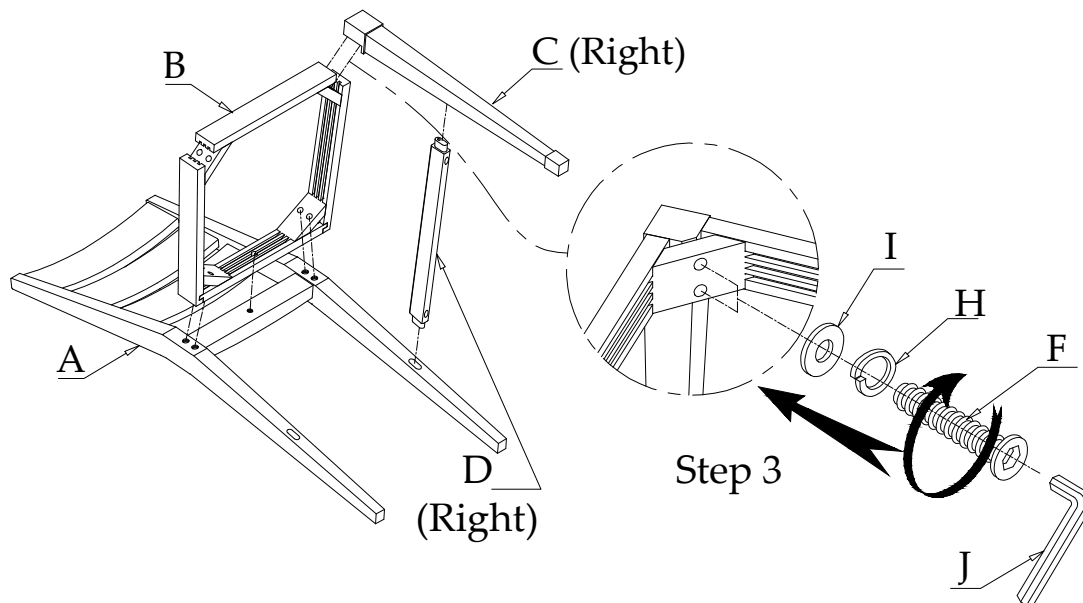


Be sure to check all packing material carefully for small parts, which may have come loose inside the carton during shipment.



Steps:

1. Place the Back Assembly (A) on a soft and smooth surface.
2. Attach Chair Seat (B) to the Back Assembly (A) by using the 3" long Bolt (G) Spring Washer (H) and Flat Washer (I) into the back corners of the Seat and 2" long Bolt (F) Spring Washer (H) and Flat Washer (I) into the middle of the Seat, as shown. **Do not fully tighten Bolts until after next step.**



- 3: Install the Right & Left Side Stretchers (D) into the Chair Back with the screw holes at the ends towards the bottom of the legs. Assemble the Front Stretcher (E) between the Front Legs and assemble the Left and Right Front Legs (C) to the Side Stretchers and the Chair Seat. Attach Legs with the 2" long Bolts (F), and the same washers as before. Do not fully tighten Bolts until next step.
- 4: Set the assembled Chair upright on a flat surface to level chair. Reach underneath the Seat and tighten all Bolts using the Allen Wrench (J).
- 5: While pulling the Legs and Stretchers snugly together and using your Phillips Screwdriver, install the Wood Screws (K) at each end of the Stretchers.

