

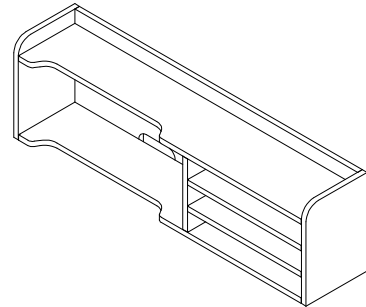
Components and Hardware List

#8 x 3/4" Screw



(A)

6 pcs.

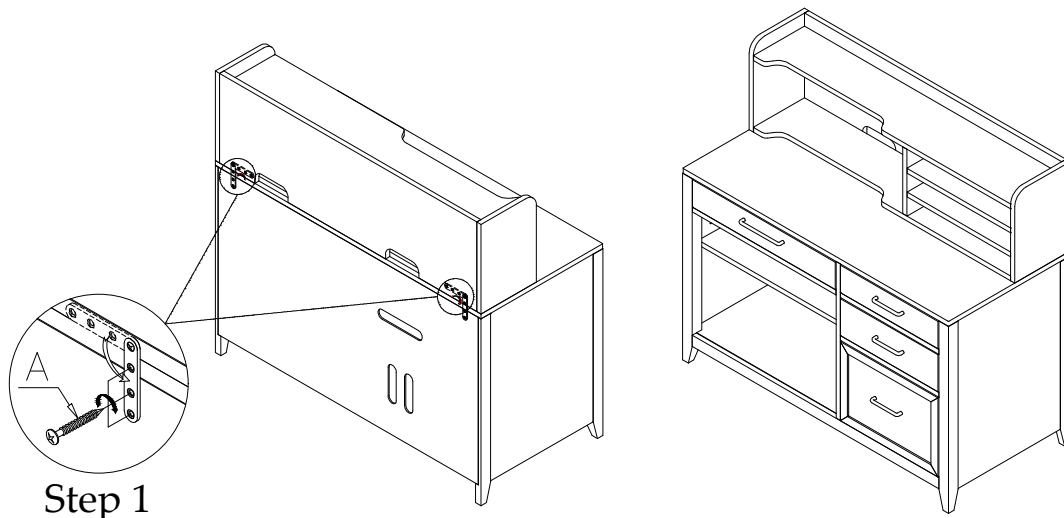


#46036-46136-46236
Hutch

Be sure to check all packing material carefully for small parts, which may have come loose inside the carton during shipment.

To prevent possible scratches and damage, this furniture must be assembled by two people on a soft surface such as a blanket or carpet.

Step 1: Carefully position the Hutch onto the Credenza. Pivot the Mending Plates attached to the back of the Hutch down and using the Screw (A), screw the plates to the back of the Credenza.



Step 1