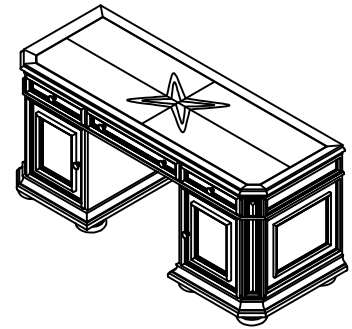

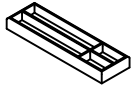


Components and Hardware List



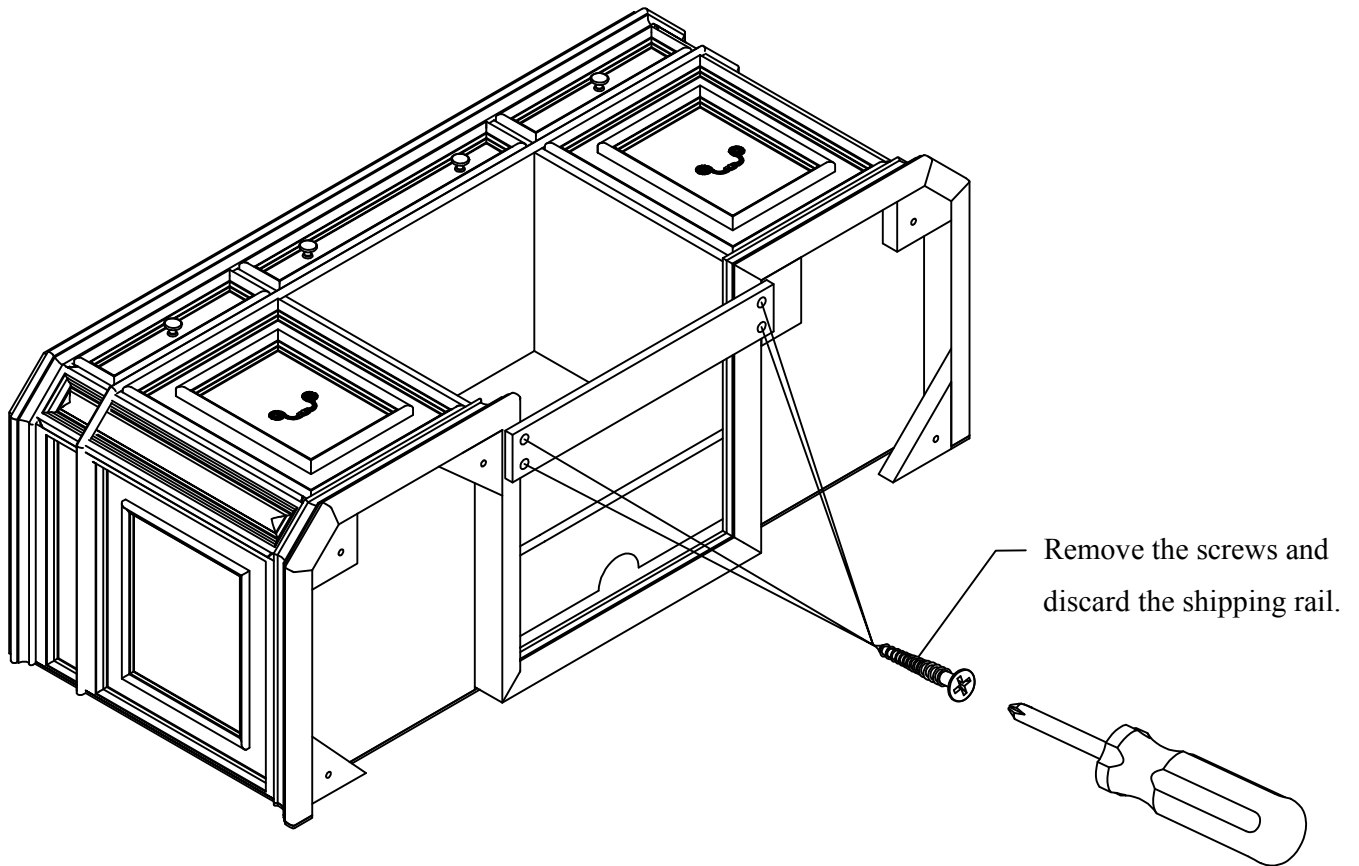
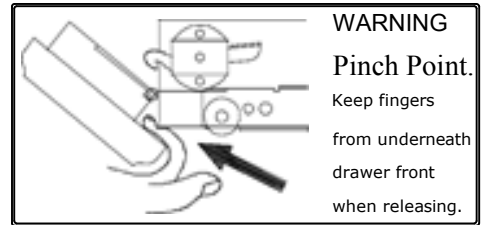
44726

Computer Credenza

<p>Bun Foot W / Leveler</p>  <p>(A) 6 pcs.</p>	<p>Pencil Tray</p>  <p>(B) 1 pc.</p>
---	---

Be sure to check all packing material carefully for small parts, which may have come loose inside the carton during shipment

Step 1 : Place the Computer Credenza on a clean, soft surface such as a blanket or carpet. Remove and discard the shipping rail attached to the bottom of the Computer Credenza .



Step 2 : Assemble the six bun feet (A) onto the bottom. Carefully set the computer credenza back upright.

