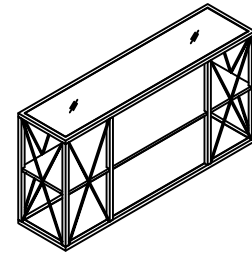


Components and Hardware List

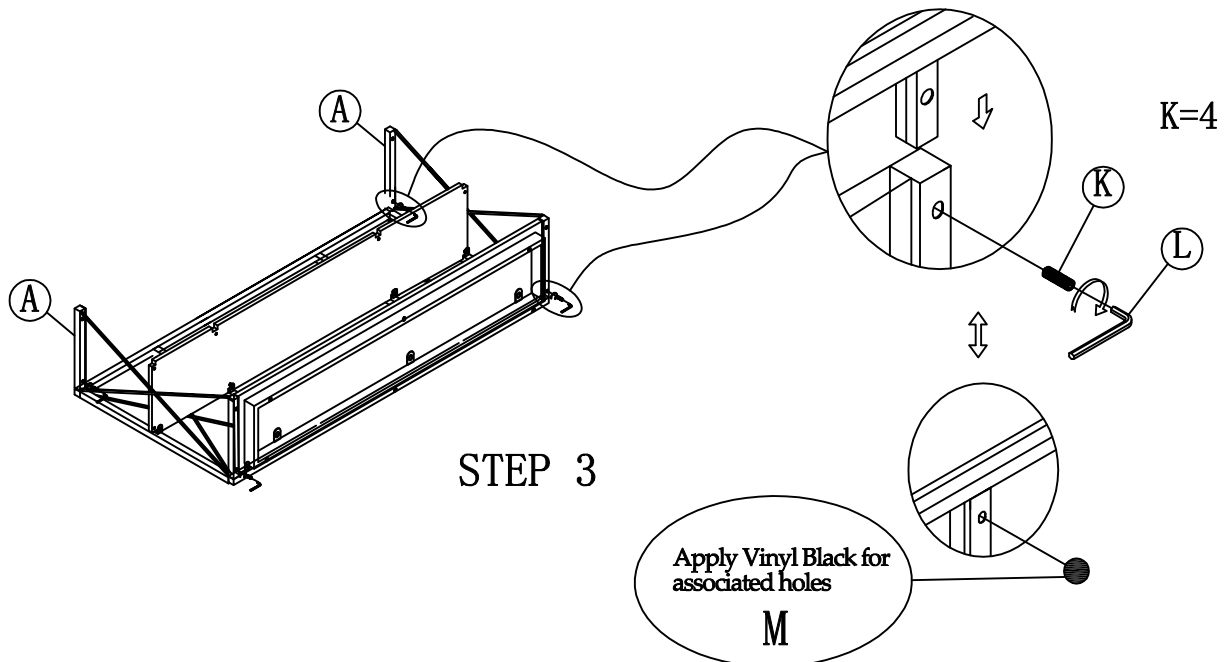
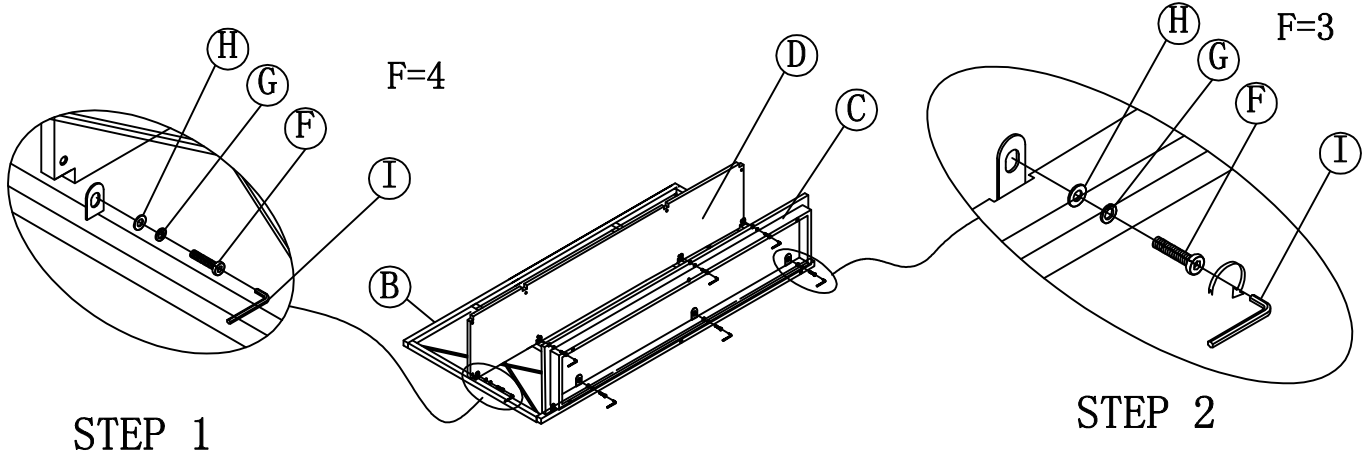


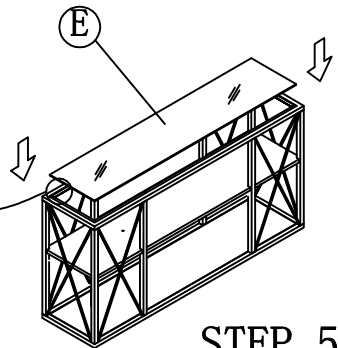
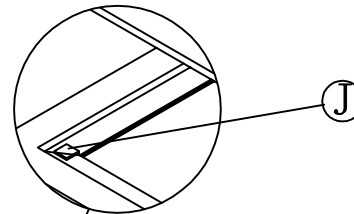
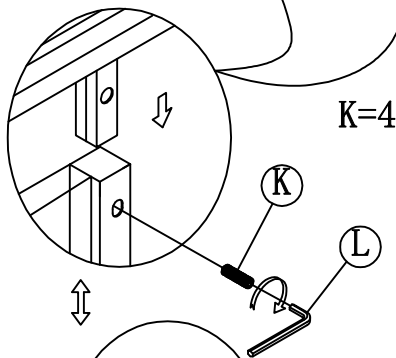
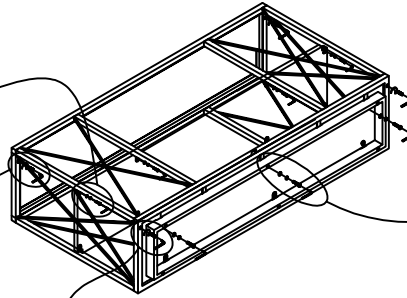
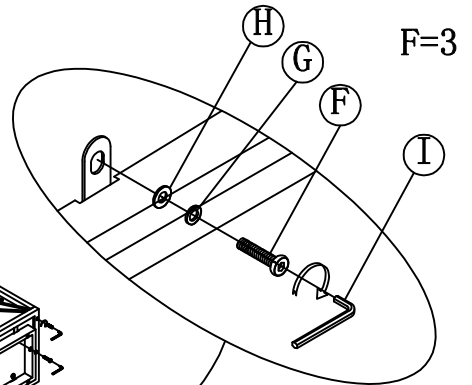
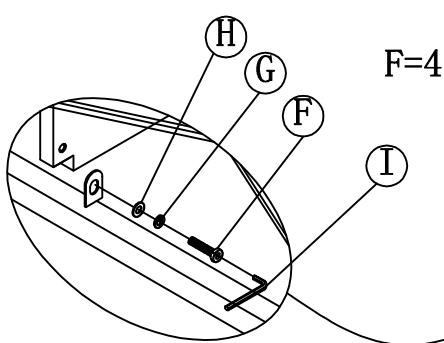
41415
Rectangle Console Table

<p>Side Frames</p> <p>(A) 2 pcs.</p>	<p>Front & Back Frames</p> <p>(B) 2 pcs.</p>	<p>Bottom</p> <p>(C) 1pc.</p>	<p>Center Shelf</p> <p>(D) 1pc.</p>		
<p>Glass</p> <p>(E) 1 pc.</p>	<p>$\varnothing 1/4 \times 16$mm Allen Head Bolt</p> <p>(F) 14pcs.</p>	<p>$\varnothing 1/4 \times 11 \times 1.2$mm Spring Washer</p> <p>(G) 14pcs.</p>	<p>$\varnothing 1/4 \times 16 \times 1$mm Flat Washer</p> <p>(H) 14pcs.</p>		
<p>4mm Allen Key</p> <p>(I) 1pc.</p>	<p>Black Felt pad</p> <p>(J) 8 pcs.</p>	<p>Threaded Pin</p> <p>(K) 8 pcs.</p>	<p>5mm Allen Key</p> <p>(L) 1pc.</p>	<p>Black Vinyl Stickers</p> <p>(M) 8pcs.</p>	<p>Furniture Tipping Restraint Kit</p> <p>(N) 2pcs.</p>

Be sure to check all packing material carefully for small parts, which may have come loose inside the carton during shipment.

To prevent possible scratches and damage, this furniture should be assembled on a soft surface such as a blanket or carpet.





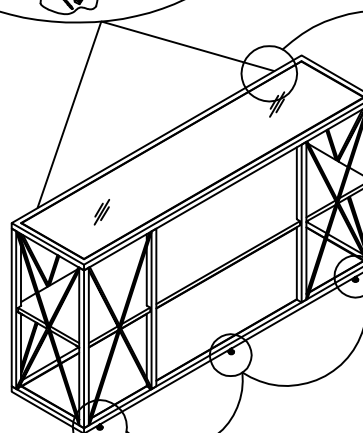
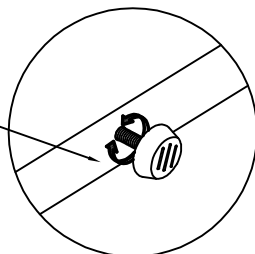
Apply Vinyl Black for associated holes

M

Furniture Tipping Restraint Kit (N)



Adjustable leveler



STEP 6